

★
T.O. 12R2-2ART13-1

HANDBOOK
OPERATING INSTRUCTIONS

RADIO TRANSMITTING SETS
AN/ART-13 AN/ART-13A AN/ART-13B
AND
NAVY MODELS
ATC ATC-1

REVISION
NOTICE

**LATEST REVISED PAGES SUPERSEDE
THE SAME PAGES OF PREVIOUS DATE**

Insert revised pages into basic
publication. Destroy superseded pages.

PUBLISHED UNDER AUTHORITY OF THE SECRETARY OF THE AIR FORCE
AND THE CHIEF OF THE BUREAU OF AERONAUTICS

17 SEPTEMBER 1944
REVISED 15 DECEMBER 1956

T.O. 12R2-2ART13-1

Reproduction for non-military use of the information or illustrations contained in this publication is not permitted without specific approval of the issuing service (BuAer or USAF). The policy for use of Classified Publications is established for the Air Force in AFR 205-1 and for the Navy in Navy Regulations, Article 1509.

LIST OF REVISED PAGES ISSUED

INSERT LATEST REVISED PAGES. DESTROY SUPERSEDED PAGES

NOTE: The portion of the text affected by the current revision is indicated by a vertical line in the outer margins of the page.

<i>Page No.</i>	<i>Date of Latest Revision</i>
*i.....	15 December 1956
*ii.....	15 December 1956
*iii.....	15 December 1956
vi.....	15 September 1954
1-1.....	27 August 1952
1-2A.....	27 August 1952
*1-3.....	15 December 1956
1-4.....	15 September 1954
1-7.....	23 November 1948
1-8.....	27 August 1952
1-9.....	27 August 1952
*1-12.....	15 December 1956
*1-12A.....	15 December 1956
*2-1.....	15 December 1956
2-3.....	27 August 1952
2-4.....	23 November 1948
2-5.....	27 August 1952
2-6.....	27 August 1952
*2-6A.....	15 December 1956
2-6B.....	15 September 1954
2-9.....	23 November 1948
2-11.....	27 August 1952
2-12.....	23 November 1948
2-14.....	27 August 1952
2-15.....	27 August 1952
2-16.....	27 August 1952
2-16A.....	27 August 1952
2-17.....	27 August 1952
2-18.....	27 August 1952
*2-19.....	15 December 1956
*2-20.....	15 December 1956
*3-1.....	15 December 1956
4-1.....	27 August 1952
4-2.....	27 August 1952
4-3.....	27 August 1952
4-4.....	27 August 1952
5-2.....	27 August 1952
5-2A.....	27 August 1952
5-3.....	23 November 1948
5-4.....	23 November 1948
5-5.....	23 November 1948
5-7.....	23 November 1948
5-49.....	23 November 1948
5-50.....	23 November 1948
5-51.....	23 November 1948
5-77.....	23 November 1948
5-77A.....	15 September 1954
5-78.....	23 November 1948
5-78A.....	15 September 1954

* The asterisk indicates pages revised, added or deleted by the current revision.

ADDITIONAL COPIES OF THIS PUBLICATION MAY BE OBTAINED AS FOLLOWS:

USAF ACTIVITIES.—In accordance with Technical Order 00-5-2.

NAVY ACTIVITIES.—Submit request to nearest supply point listed below, using form NavAer-140; NASD, Philadelphia, Pa.; NAS, Alameda, Calif.; NAS, Jacksonville, Fla.; NAS, Norfolk, Va.; NAS, San Diego, Calif.; NAS, Seattle, Wash.; ASD, NSC, Guam.

For listing of available material and details of distribution see Naval Aeronautics Publications Index NavAer 00-500.

USAF

TABLE OF CONTENTS

<i>Section</i>	<i>Page</i>	<i>Section</i>	<i>Page</i>
Destruction of Abandoned Materiel in the Combat Zone.....	v	(5) Antenna Loading Unit CU-32/-ART-13A.....	2-2
Unsatisfactory Report.....	v	(6) Antenna Loading Coil CU-25/-ART-13.....	2-2
I. GENERAL DESCRIPTION.....	1-1 1-12	(7) Antenna Loading Coil CU-26/-ART-13.....	2-2
1. General.....	1-1	(8) Antenna Switching Unit SA-22/-ART-13.....	2-3
2. Equipment Supplied.....	1-3	(9) Capacitor Connecting Switch.....	2-3
3. Equipment Required but not Supplied.....	1-4	b. Bench Test.....	2-3
4. Interchangeability of Radio Transmitting Set AN/ART-13A and Similar Equipment	1-4	(1) General.....	2-3
Description of Major Assemblies.....	1-6	(2) Equipment Required.....	2-3
a. Radio Transmitters.....	1-6	(3) Test Procedure—Variable High Frequency Operation	2-3
(1) General.....	1-7	(4) Test Procedure—Crystal Oscillator Operation	2-5
(2) Radio Transmitter T-47A/ART-13	1-8	3. Installation.....	2-6
(3) Radio Transmitter T-47/ART-13..	1-8	a. Transmitter.....	2-6
(4) Radio Transmitter.....	1-8	b. Dynamotor Unit.....	2-6
b. Low Frequency Oscillators.....	1-8	c. Antenna Loading Equipment for Low Frequency Operation.....	2-6 A
(1) General.....	1-8	(1) Antenna Loading Unit CU-32/-ART-13A and Mounting Base MT-198/ART-13A.....	2-7
(2) Oscillator O-16/ART-13.....	1-8	(2) Antenna Loading Coil CU-25/-ART-13 (Navy Type -47281).....	2-7
(3) Oscillator O-17/ART-13A.....	1-8	(3) Antenna Loading Coil CU-26/-ART-13 (Navy Type -47282).....	2-7
(4) Panel MX-128/ART-13.....	1-8	(4) Antenna Switching Unit SA-22/-ART-13.....	2-7
c. Antenna Loading Coils and Switching Unit.....	1-9	d. Remote Control Unit.....	2-8
(1) General.....	1-9	e. Antenna Shunt Capacitor and Connecting Switch.....	2-8
(2) Antenna Loading Unit CU-32/-ART-13A.....	1-9	f. Antennas and Lead Ins.....	2-8
(3) Antenna Loading Coil CU-25/-ART-13.....	1-9	4. Inter-unit Connections.....	2-8
(4) Antenna Loading Coil CU-26/-ART-13.....	1-9	5. Inspection and Test After Installation.....	2-8
(5) Antenna Switching Unit SA-22/-ART-13.....	1-11	6. Flight Test.....	2-9
(6) Mountings.....	1-11	7. Adjustments.....	2-9
d. Antenna Shunt Capacitor and Switch.....	1-11	a. Use of Calibration Tables.....	2-9
e. Dynamotor Power Unit.....	1-11	b. Procedures for Setting the Controls (for Manual or Autotune Operation).....	2-11
f. Remote Control Unit.....	1-12	(1) General.....	2-11
g. Accessories.....	1-12A	(2) CW Operation into Fixed Antenna—Variable Frequency Oscillator (2,000 to 18,100 Kilocycles).....	2-11
II. INSTALLATION and ADJUSTMENT	2-1	(3) CW Operation into Trailing Antenna—Variable Frequency Oscillator (2000 to 18,100 Kilocycles).....	2-14
1. Uncrating Radio Transmitting Set AN/ART-13A.....	2-1	(3A) CW Operation into Fixed or Trailing Antenna—Crystal Oscillator (2,000 to 18,000 Kilocycles).....	2-15
a. Transmitter Crate.....	2-1		
b. Dynamotor Crate.....	2-1		
c. Control Unit.....	2-1		
d. Antenna Loading Unit.....	2-1		
e. Antenna Shunt Capacitor.....	2-1		
2. Preparation for Installation.....	2-1		
(a). Mechanical Inspection	2-1		
(1) Transmitter.....	2-1		
(2) Dynamotor Unit.....	2-2		
(3) Control Unit.....	2-2		
(4) Antenna Shunt Capacitor.....	2-2		

TABLE OF CONTENTS (Continued)

<i>Section</i>	<i>Page</i>	<i>Section</i>	<i>Page</i>
(4) CW Operation into Fixed or Trailing Antenna — Variable Frequency Oscillator (200 to 1500 Kilocycles)	2-16	IV. EMERGENCY OPERATION AND REPAIR	
(4A) CW Operation into Fixed or Trailing Antenna — Crystal Oscillator (300 to 500 Kilocycles)	2-17	4-0 4-5
(5) Voice Operation	2-17	1. Emergency Trouble-Shooting (In Flight)	4-0
(6) MCW Operation	2-17	2. Replacing Tubes	4-2
(7) Adjustment of Sidetone Level	2-18	3. Replacing Fuse	4-2
(8) Use of Transmitter Chart	2-18	4. Replacing Dynamotor Brushes	4-2
(9) Preparation for Operation	2-18	5. Substitution of Tubes When Replacements are not Available	4-2
c. Simplified Procedures for Setting the Controls	2-18	6. Regular Inspections	4-3
(1) General	2-18	a. Preflight Inspection	4-3
(2) Simplified CW Operation into Fixed Antenna (2000 to 18,100 Kilocycles)	2-18	b. Daily Inspection	4-3
(3) Simplified CW Operation into Fixed or Trailing Antenna (200 to 600 Kilocycles) When Using Antenna Loading Unit CU-32/ART-13A	2-19	c. 100-Hour Inspection	4-4
d. Procedures for Setting the Controls of Radio Transmitting Set AN/ART-13B (Manual or Autotune Operation)	2-19	7. Replacements of Defective Items	4-5
(1) General	2-19	V. SUPPLEMENTARY DATA	5-1
(2) Frequency Adjustments — Crystal Controlled Operation	2-19	1. Tube Complement	5-1
(3) High Frequency Range	2-19	a. For Radio Transmitter with Oscillator O-17/ART-13A and MCW-CFI 8Q-2 Unit Installed	5-1
(4) Low Frequency Range	2-20	b. For Radio Transmitter With Oscillator O-16/ART-13 and MCW-CFI 8Q-1 Unit Installed	5-2
III. OPERATION	3-1 3-2	c. For Radio Transmitter With Oscillator CDA-T and MCW-CFI 8Q-2 Unit Installed	5-2
1. Starting and Stopping	3-1	2. Fuse Complement	5-2A
a. To Start	3-1	3. Pilot Lamp Complement	5-2A
b. To Stop	3-1	4. Radio Jamming	5-2A
2. Operation During Normal Use	3-1	5. Procedure for Setting Receiver BC-348 on a Pre-selected Frequency Using Radio Transmitter T-47/ART-13 or T-47A/ART-13 as a Frequency Meter	5-3
3. Defense Against Radio Jamming	3-1	a. General	5-3
a. General	3-1	b. Procedure	5-3
b. Procedure	3-1	6. Calibration Tables 5-1, 5-2, 5-3, 5-4, 5-5 and 5-6	5-3
		6A. Calibration Instructions for Oscillator O-16/ART-13 (when MCM-CFI 8Q-2 Unit is used)	5-3
		7. Tables of Approximate Control Settings (for Antenna Tuning and Loading)	5-3

LIST OF ILLUSTRATIONS

<i>Figure</i>	<i>Page</i>	<i>Figure</i>	<i>Page</i>
1-1. Radio Transmitting Set AN/ART-13A—Major Assemblies	vi	2-9. Dynamotor Unit DY-11/ART-13 (Navy Type -23333, Power Unit with Dynamotor -21931) —with Mounting Plate MT-164/ART-13	2-6
1-2. Radio Transmitting Set AN/ART-13 (Navy Model ATC or ATC-1)—Major Assemblies	1-2	2-9A. Mounting Base MT-284A/ART-13	2-6B
1-2A. Radio Transmitter T-47A/ART-13 with Oscillator CDA-T Installed	1-2A	2-10. Antenna Loading Unit CU-32/ART-13A with Mounting Base MT-198/ART-13A	2-7
1-3. Radio Transmitter T-47A/ART-13 with Oscillator O-17/ART-13A Installed	1-6	2-11. Antenna Loading Coil CU-26/ART-13 with Mounting Plate MT-162/ART-13 (Navy Type -47282)	2-7
1-4. Radio Transmitter T-47/ART-13 (Navy Type -52286) with Oscillator O-16/ART-13 Installed	1-6	2-12. Control Unit C-87/ART-13 with Mounting Plate MT-163/ART-13 (Navy Type -23330)	2-8
1-5. MCW-CFI 8Q-2 Unit	1-7	2-13. Illustration Showing Setting of Control "B" to 1114.1 Per Example in the Text	2-10
1-6. MCW-CFI 8Q-1 Unit	1-7	2-14. Crystal Controlled Oscillator Unit (CDA-T)—Front Side View	2-20
1-7. Panel MX-128/ART-13	1-8	5-1. Radio Transmitter T-47A/ART-13—Outline Dimensions	5-77 5-78
1-8. Oscillator O-16/ART-13	1-8	5-1A. Radio Transmitter T-47A/ART-13 and Mounting Base MT-284A/ART-13—Outline Dimensions	5-77A 5-78A
1-8A. Oscillator CDA-T	1-8A	5-2. Radio Transmitter T-47/ART-13 (Navy Type -52286)—Outline Dimensions	5-79 5-80
1-9. Antenna Loading Unit CU-32/ART-13A	1-9	5-3. Dynamotor Unit DY-17/ART-13A—Outline Dimensions	5-81
1-10. Antenna Loading Coil CU-25/ART-13 (Navy Type -47281)	1-10	5-4. Dynamotor Unit DY-11/ART-13 (Navy Type -23333 Power Unit, with Dynamotor -21931) or Dynamotor Unit DY-12/ART-13 (Navy Type -23333 Power Unit with Dynamotor -21932)	5-82
1-11. Antenna Loading Coil CU-26/ART-13 (Navy Type -47282)	1-10	5-5. Antenna Loading Unit CU-32/ART-13A—Outline Dimensions (for Mounting Base MT-198/ART-13A (see fig. 5-6)	5-83 5-84
1-12. Antenna Switching Unit SA-22/ART-13	1-10	5-6. Mounting Base MT-198/ART-13A—Outline Dimensions (for Antenna Loading Unit CU-32/ART-13A)	5-85 5-86
1-13. Antenna Shunt Capacitor CU-24/ART-13 (Navy Type -481628)	1-11	5-7. Antenna Loading Coil CU-25/ART-13 (Navy Type -47281)—Outline Dimensions	5-87
1-14. Dynamotor Unit DY-17/ART-13A	1-11	5-8. Antenna Switching Unit SA-22/ART-13—Outline Dimensions	5-88
1-15. Dynamotor Unit DY-11/ART-13 (Navy Type -23333 Power Unit, with Dynamotor -21931)	1-12	5-9. Antenna Loading Coil CU-26/ART-13 with Mounting Plate MT-162/ART-13 (Navy Type -47282)—Outline Dimensions	5-89
1-16. Control Unit C-87/ART-13 (Navy Type -23330)	1-12	5-10. Switch SA-13/U—Outline Dimensions	5-90
1-17. Control Panel C-405/A or C-405A/A	1-12	5-11. Control Unit C-87/ART-13 (Navy Type -23330)—Outline Dimensions	5-91
2-1. Radio Transmitter T-47A/ART-13 and Oscillator O-17/ART-13A (or Oscillators O-16/ART-13 or CDA-T)—Tube Placement Diagram	2-1	5-12. Antenna Shunt Capacitor CU-24/ART-13 (Navy Type -481628)—Outline Dimensions	5-91
2-2. MCW-CFI 8Q-1 Unit—Tube Placement Diagram (see fig. 2-1)	2-2	5-13. Switch SA-46/ART-13A — Outline Dimensions	5-92
2-3. Microphone Selector Switch and Sidetone Output Switch	2-4	5-14. Plugs for Radio Transmitting Set	5-93
2-4. MCW-CFI 8A-2 Unit—showing R-2201	2-4	5-15. Radio Set AN/ARC-8—Typical Wiring Diagram	5-95 5-96
2-5. MCW-CFI 8Q-1 Unit—Showing R-310	2-4	5-16. Radio Transmitting Set AN/ART-13—Typical Wiring Diagram	5-97 5-98
2-6. Radio Transmitter T-47A/ART-13 with Mounting Base MT-284/ART-13 and Mounting Plate MT-283/ART-13	2-5		
2-7. Radio Transmitter T-47/ART-13 with Mounting Base MT-161/ART-13 (Navy Type -52286 Transmitter)	2-6		
2-8. Dynamotor Unit DY-17/ART-13A with Mounting Plate MT-164/ART-13	2-6		

LIST OF TABLES

<i>Table</i>	<i>Page</i>	<i>Table</i>	<i>Page</i>
5-1. Calibration of Oscillator O-17/ART-13A when MCW-CFI 8Q-2 Unit Is Used.....	5-5	when MCW-CFI 8Q-1 Unit Is Used.....	5-52
5-2. Calibration of Radio Transmitter T-47A/-ART-13 or T-47/ART-13 when MCW-CFI 8Q-2 Unit Is Used.....	5-7	5-5. Calibration of Radio Transmitter T-47A/ART-13 or T-47/ART-13 when MCW-CFI 8Q-1 Unit Is Used.....	5-57
5-3. Calibration of Oscillator O-16/ART-13 when MCW-CFI 8Q-2 Unit Is Used.....	5-49	5-6. Calibration of Oscillator O-16/ART-13 when MCW-CFI 8Q-1 Unit Is Used.....	5-69
5-4. Calibration of Oscillator O-17/ART-13A		5-7. Calibration of Approximate Dial Settings for All Radio Transmitting Sets.....	5-72

Destruction of Abandoned Materiel in the Combat Zone

In case it should become necessary to prevent the capture of this equipment and when ordered to do so, DESTROY IT SO THAT NO PART OF IT CAN BE SALVAGED, RECOGNIZED, OR USED BY THE ENEMY. BURN ALL PAPERS AND BOOKS.

Means:

1. Explosives, when provided.
2. Hammers, axes, sledges, machetes, or whatever heavy object is readily available.
3. Burning by means of incendiaries such as gasoline, oil, paper, or wood.
4. Grenades and shots from available arms.
5. Burying all debris or disposing of it in streams or other bodies of water, where possible and when time permits.

Procedure:—

1. Obliterate all identifying marks. Destroy nameplates and circuit labels.
2. Demolish all panels, castings, switch- and instrument boards.
3. Destroy all controls, switches, relays, connections, and meters.
4. Rip out all wiring and cut interconnections of electrical equipment. Smash gas, oil, and water-cooling systems in gas-engine generators, etc.
5. Smash every electrical or mechanical part, whether rotating, moving, or fixed.
6. Break up all operating instruments such as keys, phones, microphones, etc.
7. Destroy all classes of carrying cases, straps, containers, etc.
8. Bury or scatter all debris.

DESTROY EVERYTHING!



Unsatisfactory Report

For U. S. Army Air Force Personnel:

In the event of malfunctioning, unsatisfactory design, or unsatisfactory installation of any of the component units of this equipment, or if the material contained in this book is considered inadequate or erroneous, an Unsatisfactory Report, AAF Form No. 54, or a report in similar form, shall be submitted in accordance with the provisions of Army Air Force Regulation No. 15-54, listing:

1. Station and organization.
2. Nameplate data (type number or complete nomenclature if nameplate is not attached to the equipment).
3. Date and nature of failure.
4. Radio model and serial number.
5. Remedy used or proposed to prevent recurrence.
6. Handbook errors or inadequacies, if applicable.

For U. S. Navy Personnel:

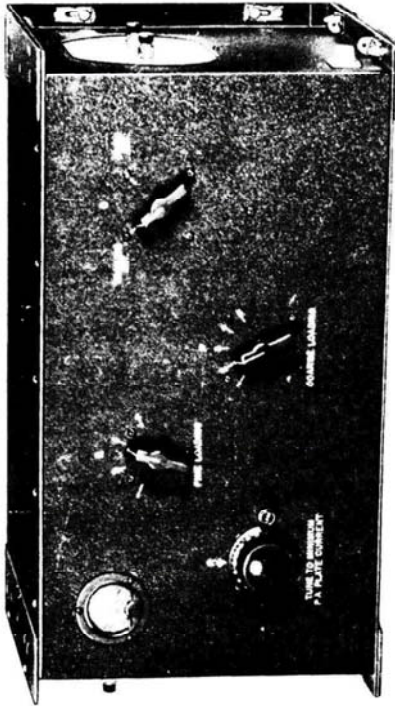
Report of failure of any part of this equipment during its guaranteed life shall be made on Form N.Aer. 4112, "Report of Unsatisfactory or Defective Material," or a report in similar form, and forwarded in accordance with the latest instructions of the Bureau of Aeronautics. In addition to other distribution required, one copy shall be furnished to the inspector of Naval Materiel (location to be specified) and the Bureau of Ships. Such reports of failure shall include:

1. Reporting activity.
2. Nameplate data.
3. Date placed in service.
4. Part which failed.
5. Nature and cause of failure.
6. Replacement needed (yes—no).
7. Remedy used or proposed to prevent recurrence.

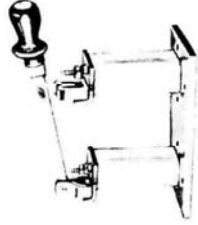
For British Personnel:

Form 1022 procedure shall be used when reporting failure of radio equipment.

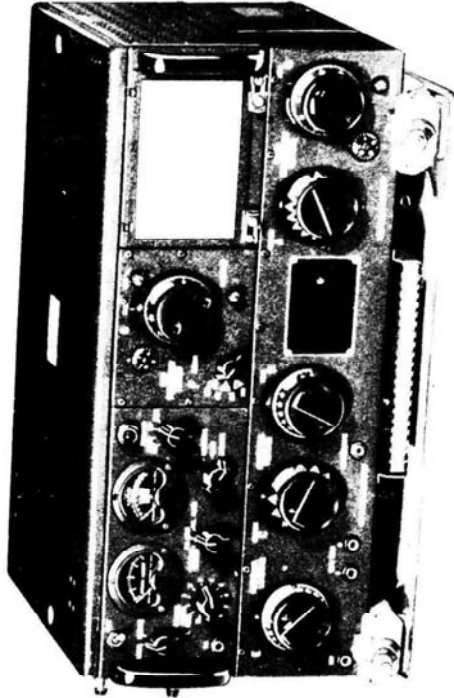
ANTENNA LOADING UNIT CU-32/ART-13A



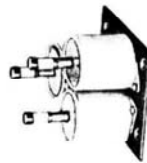
DYNAMOTOR UNIT DY-17/ART-13A
WITH
MOUNTING PLATE MT-164/ART-13



SWITCH SA-46 ART-13A



RADIO TRANSMITTER T-47A/ART-13
WITH
MOUNTING PLATE MT-283/ART-13 AND
MOUNTING BASE MT-284/ART-13 OR MT-284A/ART-13



ANTENNA SHUNT CAPACITOR
CU-24/ART-13



CONTROL UNIT C-87/ART-13
WITH
MOUNTING PLATE MT-163/ART-13

Figure 1-1—Radio Transmitting Set AN/ART-13A—Major Assemblies

WARNING

Operation of this equipment involves the use of high voltages which are dangerous to life. Operating personnel must observe safety regulations. Whenever the dynamotor is running, there is a potential of 1150 volts applied to the plate caps on top of the tubes.

**SECTION I
GENERAL DESCRIPTION****1. GENERAL.**

a. The contents of this handbook apply to Radio Transmitting Set AN/ART-13A (fig. 1-1); to an earlier model of the same general type of equipment, identified as Radio Transmitting Set AN/ART-13 (also known and employed by the U.S. Navy as Navy Model ATC or ATC-1) shown in figure 1-2; and to the latest model, designated AN/ART-13B, which uses all of the components included with the above two assemblies, excepting their low frequency oscillator units, O-16/ART-13 or O-17/ART-13A. This new model (see fig. 1-2A) includes the CDA-T, 24 frequency Crystal Oscillator Unit, which replaces the original low frequency units. Use of the CDA-T Unit does not interfere with the original VFO functioning of the Transmitter excepting in the frequency range.

b. This equipment includes transmitting components which provide radio communication by voice, modulated continuous wave telegraphy (MCW), or continuous wave telegraphy (CW).

c. Transmission frequencies in the ranges 200 to 1500 kilocycles (when the low frequency oscillator is installed) and 2000 to 18,000 kilocycles can be obtained with this equipment, using a variable frequency oscillator. With the CDA-T Crystal Control Unit installed, replacing the VFO low frequency oscillator unit, 24 crystals provide a frequency range of 300 to 500 kilocycles, and 2,000 to 18,000 kilocycles in addition to 10 frequencies provided by the variable high frequency oscillator.

d. Operation is possible into either fixed or trailing wire antennas. Selection of the desired antenna is accomplished either by means of switches incorporated in low frequency tuning equipment or by means of Switch SA-13/U when low frequency equipment is not used in the installation. This arrangement allows both transmission and reception on the same antenna for all frequencies and is used in Army installations.

e. Using VFO operation, shifting from one transmission frequency to another can be accomplished by the conventional method of "hand positioning" the controls or by using the built-in automatic shifting mechanism known as the "Autotune". Autotune operation (either local or remote) is available for eleven pre-selected frequencies, one of which may be in the range 200 to 1500 kilocycles and the other ten in the range 2000 to 18,100 kilocycles. For crystal operation, the low frequency VFO unit is removed, and the CDA-T installed in its place. Autotune operation may be used in the same manner as with the VFO, excepting that for each of the first 10 channel positions, two crystal frequencies are available. In the low frequency channel position, four low frequency crystals are available, selected by a switch on the CDA-T Unit.

f. Remote operation of the equipment is possible by means of a remote control unit furnished. The equipment may be turned off or on, the type of emission selected, the channel may be selected and the transmitter keyed or modulated from the remote control unit. Operation from the remote position is possible only when the "LOCAL-REMOTE" switch on the transmitter is in the "REMOTE" position. This switch can be operated only from the transmitter panel. However, the transmitter may be keyed or modulated (according to the type of emission selected at the controlling position) from either position any time that the transmitter is on. The red pilot light indicates which position is in control. It will be lit at the controlling position at all times except when the autotune is cycling.

g. When this equipment is in use at altitudes over 20,000 to 25,000 feet, the power is automatically reduced about one-half to prevent arcing or flashover. Satisfactory operation can then be obtained for altitudes up to 40,000 feet.

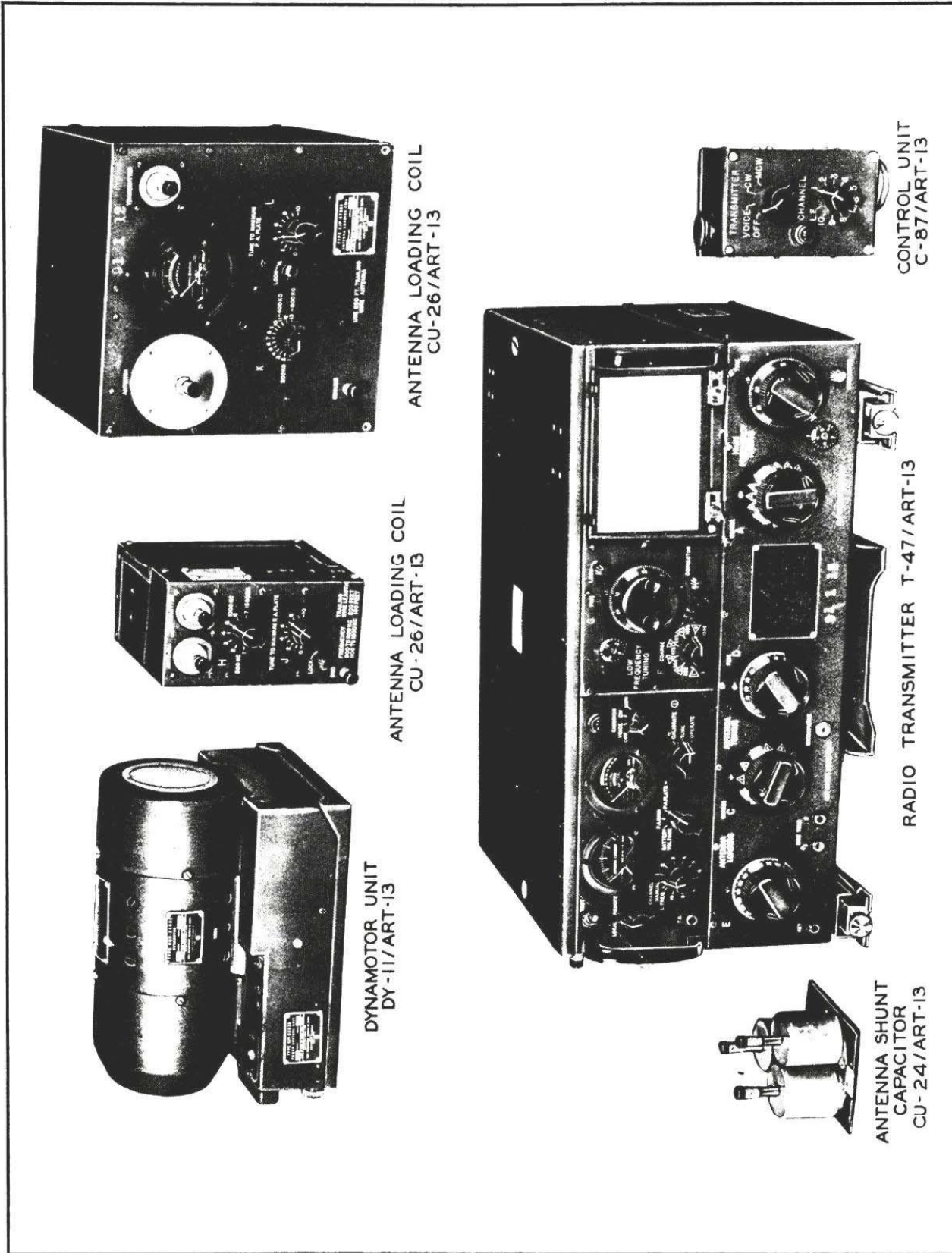


Figure 1-2—Radio Transmitting Set AN/ART-13 (Navy Model ATC or ATC-1) Major Assemblies

b. A 28 volt direct current power source is required for operation of the equipment. Voltages as low as 24 volts may be used but reduction in power output and increased time for Autotune operation will result. The dynamotor unit contains a dynamotor machine that supplies the intermediate and high voltage power requirements of the transmitter. The following table shows typical power input requirements for a supply voltage of 28 volts direct current.

Type of Emission Used	Frequency (mega-cycles)	Power Input (Watts)	
		Full Power	*Reduced Power
CW	3.0	780	700
CW (Standby)	3.0	560	560
MCW	3.0	925	760
MCW (Standby)	3.0	560	560
VOICE (90% Mod.)	3.0	925	760
VOICE (Standby)	3.0	250	250

*Reduced power input operating at altitudes higher than 20,000 to 25,000 feet results from automatic reduction in high voltage to prevent flashover.

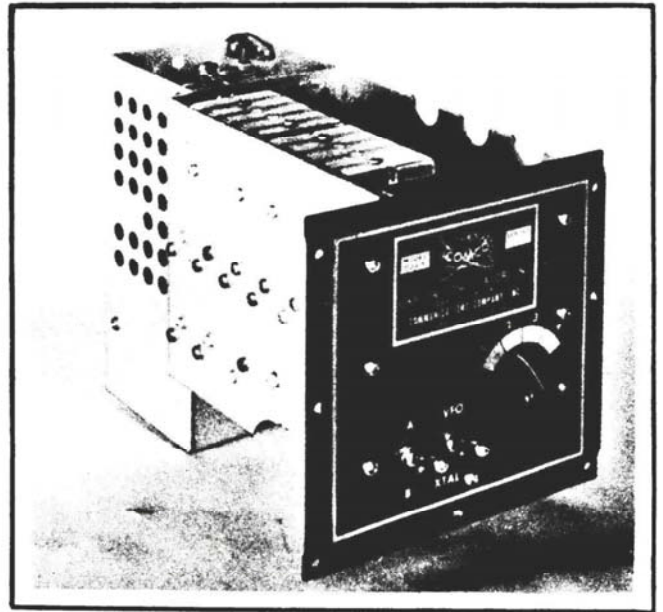


Figure 1-8A—Oscillator CDA-T



Figure 1-2A—Radio Transmitter T-47A/ART-13 with Oscillator CDA-T Installed

2. EQUIPMENT SUPPLIED.

The table below lists the equipment supplied for Radio Transmitting Set AN/ART-13A. Refer to the

table of interchangeability in paragraph 4 of this section when parts of Radio Transmitting Set AN/ART-13 (Navy Model ATC or ATC-1) are supplied.

Quantity per Equipment	Name of Unit	Army Type Designation	Overall Dimensions (in inches)			Weight (lbs.)
			Length	Height	Depth	
1	Radio Transmitter (with Panel MX-128/ART-13 installed, Mounting Plate MT-283/ART-13 attached and Mounting Base MT-284/ART-13 or MT-284A/ART-13 and includes plugs, tubes and crystals)	T-47A/ART-13	23.5 x	11.5 x	14.8	62.5
1	Oscillator (includes tube)	CDA-T	5.4 x	6.4 x	9.7	4.0
1	Mounting Plate (attached to Radio Transmitter T-47A/ART-13)	MT-283/ART-13	20.9 x	1.5 x	13.2	1.6
1	Mounting Base (for Radio Transmitter T-47A/ART-13) (Deleted)	MT-284/ART-13 or MT-284A/ART-13	20.8 x	2.5 x	15.0	3.0
1	Dynamotor Unit (with CQR machine and mounted on Mounting Plate MT-164/ART-13; includes plugs) or Dynamotor Unit (with CG machine and mounted on Mounting Plate MT-164/ART-13; includes plugs)	DY-17/ART-13A DY-17/ART-13A	13.2 x	8.8 x	7.2	28.0
1	Mounting Plate (for Dynamotor Unit DY-17/ART-13A)	MT-164/ART-13	11.2 x	1.3 x	7.0	1.1
1	Antenna Loading Unit (mounted on Mounting Base MT-198/ART-13A; includes plugs)	CU-32/ART-13A	25.7 x	13.9 x	13.0	28.3
1	Mounting Base (for Antenna Loading Unit CU-32/ART-13A)	MT-198/ART-13A	22.6 x	2.8 x	11.4	3.2
1	Control Unit (mounted on Mounting Plate MT-163/ART-13; includes plug)	C-87/ART-13	3.6 x	8.0 x	3.2	1.5
1	Mounting Plate (for Control Unit C-87/ART-13)	MT-163/ART-13	5.3 x	3.6 x	0.3	0.11
1	Antenna Shunt Capacitor	CU-24/ART-13	5.0 x	3.9 x	4.2	1.75
1	Switch	SA-46/ART-13A	6.0 x	4.0 x	2.0	0.87
1	Switch	SA-13/U	9.5 x	9.3 x	4.4	2.5
1	Plug (cannon type NK-27-21C 11/16")	U-6/U	2.1 x	1.7 x	1.7	0.19
1	Plug (cannon type FK-10-21C 9/16")	U-7/U	2.4 x	2.0 x	2.0	0.25
1	Plug (cannon type RNK-27-22C 11/16")	U-8/U	2.0 x	1.8 x	1.8	0.25
1	Plug (cannon type RFK-10-24C 9/16")	U-9/U	1.9 x	2.6 x	2.1	0.32
1	Plug (cannon type GK-C3-23C 1/2")	U-10/U	1.9 x	1.9 x	1.3	0.25
1	Plug (cannon type RWK-C3-22C 7/16")	U-11/U	1.9 x	1.1 x	1.1	0.12
1	Plug (cannon type WK-C3-23C 7/16")	U-11/U	2.0 x	1.5 x	1.1	0.13
1	Handbook of Operating Instructions for Radio Transmitting Set AN/ART-13, AN/ART-13A and Navy Model ATC and ATC-1		11.0 x	8.5 x	0.5	0.7
			Total weight (cables not included)			140.54

SECTION I
Paragraphs 3-4

AN 16-30ART13-3

3. EQUIPMENT REQUIRED BUT NOT SUPPLIED.

Quantity per Equipment	Name of Unit	Army Type Designation	Navy Type Designation	Required Characteristics
1	Microphone (with Cord CD-318 or CD-508) or Microphone	T-17 or T-30 T-34 or T-44		Carbon with 40 ohms internal resistance
1	Key	J-37		
1	Headset	HS-33 or HS-38		300 ohm impedance
1	Antenna Equipment	AN/ARA-4		Fixed 30 to 65 feet long, and/or Trailing to 200 feet long
1	Cables and Wiring			Open wiring (for cable and wiring requirements see figure 5-15)

4. INTERCHANGEABILITY OF RADIO TRANSMITTING SET AN/ART-13A AND SIMILAR EQUIPMENTS.

trical interchangeability information for Radio Transmitting Set AN/ART-13A, AN/ART-13 and Navy Models ATC and ATC-1. Refer to paragraph 5 of this section for more detailed information.

The following table furnishes mechanical and elec-

Name of Unit	AN Type Designation	Navy Type Designation	British Ref. Number	Mechanically Interchangeable with	Electrically Interchangeable with
Radio Transmitter	T-47/ART-13 (M2- with 8Q-2 CFI Unit; M1- with interlock switch)	- 52286	None	T-47A/ART-13 When MT-283/ART-13 is attached	T-47/ART-13
Radio Transmitter	T-47A/ART-13	None	110D/878	T-47/ART-13 When MT-283/ART-13 is attached	T-47/ART-13 (M2 with 8Q-2 CFI Unit; M1 with interlock switch)
Mounting Base	MT-161/ART-13	Part of - 52286	None	Nothing	Not applicable
Mounting Plate plus Mounting Base	MT-283/ART-13 plus MT-284 ART-13 or MT-284A ART-13	None	Part of 110D/878	Bottom cover and two shock mounts on T-47/ART-13 plus 2 Mounting Bases MT-161/ART-13	Not applicable
Oscillator	0-16/ART-13	Part of - 52286	None	O-17/ART-13A or CDA-T or MX-128/ART-13	O-17/ART-13A or CDA-T except for frequency coverage
Oscillator	0-17/ART-13A	None	110V/21	O-16/ART-13 or CDA-T or MX-128/ART-13	O-16/ART-13 or CDA-T except for frequency coverage
Oscillator	CDA-T	None	None	O-17/ART-13A or O-16/ART-13 or MX-128/ART-13	O-17/ART-13A or O-16/ART-13 except for frequency coverage
Panel	MX-128/ART-13	Part of - 52286	None	O-16/ART-13 or O-17/ART-13A or CDA-T	O-16/ART-13, O-17/ART-13A or CDA-T Transmitter operable in H.F. range without any of the above
Dynamotor Unit	DY-11/ART-13	- 23333 or - 23333-A plus 21931	None	DY-12/ART-13, DY-12A/ART-13, or DY-17/ART-13A (Height of DY-17/ART-13A is 3/4" greater)	DY-12/ART-13, DY-12A/ART-13 or DY-17/ART-13A (Height of DY-17/ART-13A is 3/4" greater)

AN 08-30 ART 13-3

SECTION I
Paragraph 4

<i>Name of Unit</i>	<i>AN Type Designation</i>	<i>Navy Type Designation</i>	<i>British Ref. Number</i>	<i>Mechanically Interchangeable with</i>	<i>Electrically Interchangeable with</i>
Dynamotor Unit	DY-12/ART-13	-23333 or -23333-A plus -21932	None	DY-11/ART-13, DY-12A/ART-13, or DY-17/ART-13A (Height of DY-17/ ART-13A is 3/4" great- er)	DY-11/ART-13, DY-12A/ART-13, or DY-17/ART-13A (Height of DY-17/ ART-13A is 3/4" great- er)
Dynamotor Unit	DY-12A/ART-13	-23333 or -23333-A plus -21932	None	DY-11/ART-13, DY-12/ART-13, or DY-17/ART-13A (Height of DY-17/ ART-13A is 3/4" great- er)	DY-11/ART-13, DY-12/ART-13, or DY-17/ART-13A (Height of DY-17/ ART-13A is 3/4" great- er)
Dynamotor Unit	DY-17/ART-13A (Height of DY-17/ ART-13A is 3/4" greater)	None	110K/1448	DY-11/ART-13, DY-12/ART-13, or DY-12A/ART-13	DY-11/ART-13, DY-12/ART-13, or DY-12A/ART-13
Mounting Plate (for dynamotor unit)	MT-164/ART-13	Part of -23333 or -23333-A	Part of 110K/ 1448	Nothing	Not Applicable
Antenna Loading Unit	CU-32/ART-13A	None	110B/363	Nothing	CU-25/ART-13 plus SA-22/ART-13
Mounting Base (for Antenna Loading Unit CU-32/ART-13A)	MT-198/ART-13A	None	Part of 110B/363	Nothing	Not Applicable
Antenna Loading Coil plus Antenna Switching Unit	CU-25/ART-13 SA-22/ART-13	47281 None	None 110F/922	Nothing Nothing	CU-32/ART-13A
Antenna Loading Coil	CU-26/ART-13	-47282	None	Nothing	Nothing
Mounting Plate (For Antenna Loading Coil CU-26/ART-13)	MT-162/ART-13	Part of -47282	None	Nothing	Not Applicable
Mounting (for An- tenna Switching Unit SA-22/ART-13)	FT-142	None	Part of 110F/922	FT-142-A	Not Applicable
Antenna Shunt Capacitor	CU-24/ART-13	481628	110B/362	Nothing	Nothing
Control Unit	C-87/ART-13	23330	110L/133	Nothing	Not Applicable
Mounting Plate (for control unit)	MT-163/ART-13	Part of 23330	Part of 110L/133	Nothing	Not Applicable
Switch	SA-46/ART-13A	None	None	Nothing	Nothing
Switch	SA-13/U	None	None	Nothing	Nothing
Plug	U-6/U	None	None	Nothing	Nothing
Plug	U-7/U	None	None	Nothing	Nothing
Plug	U-8/U	None	None	Nothing	Nothing
Plug	U-9/U	None	None	Nothing	Nothing
Plug	U-10/U	None	None	Nothing	Nothing
Plug	U-11/U	None	None	Nothing	Nothing
Plug	U-12/U	None	None	Nothing	Nothing

5. DESCRIPTION OF MAJOR ASSEMBLIES.

The following discussion of the major assemblies of Radio Transmitting Set AN/ART-13A, AN/ART-13 and Navy Models ATC and ATC-1 is to aid in event

that a mixed group of assemblies are used for a particular installation. (Refer to pars. 2 and 4, this section.)

a. RADIO TRANSMITTERS.

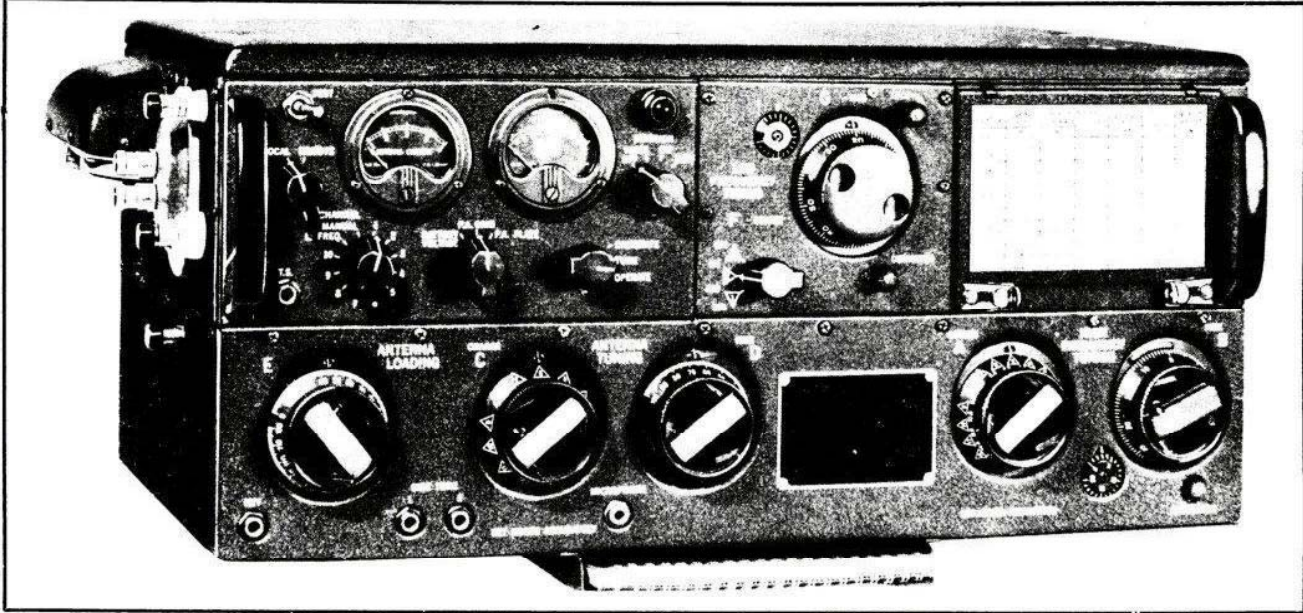


Figure 1-3—Radio Transmitter T-47A/ART-13 with Oscillator 0-17/ART-13A Installed

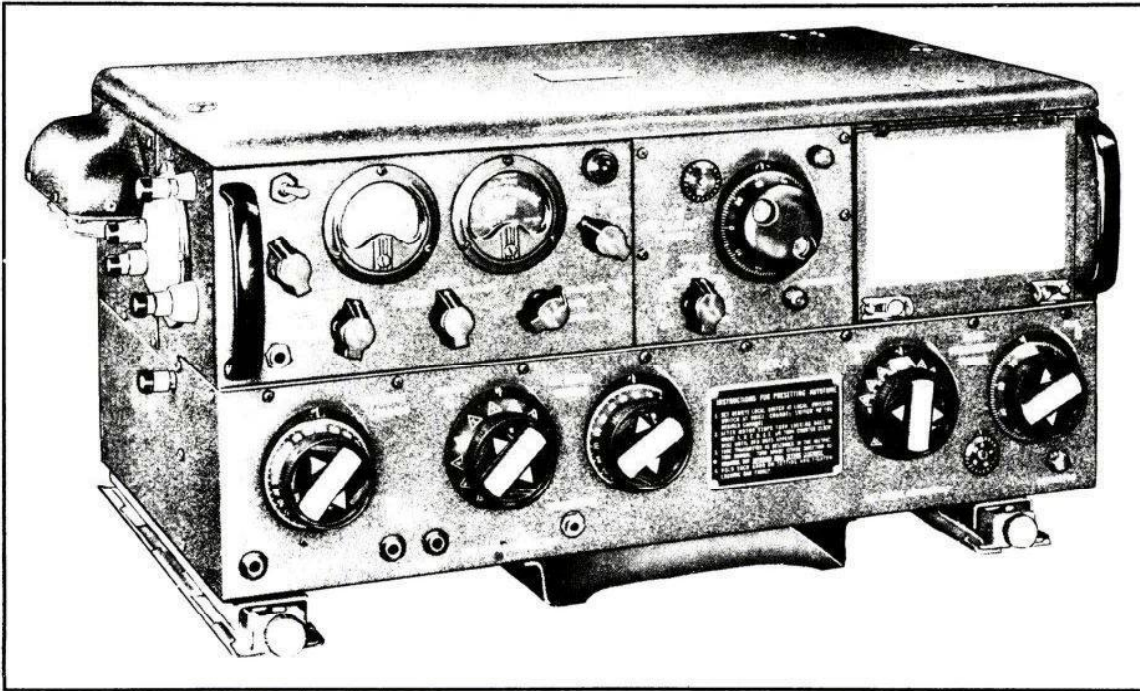
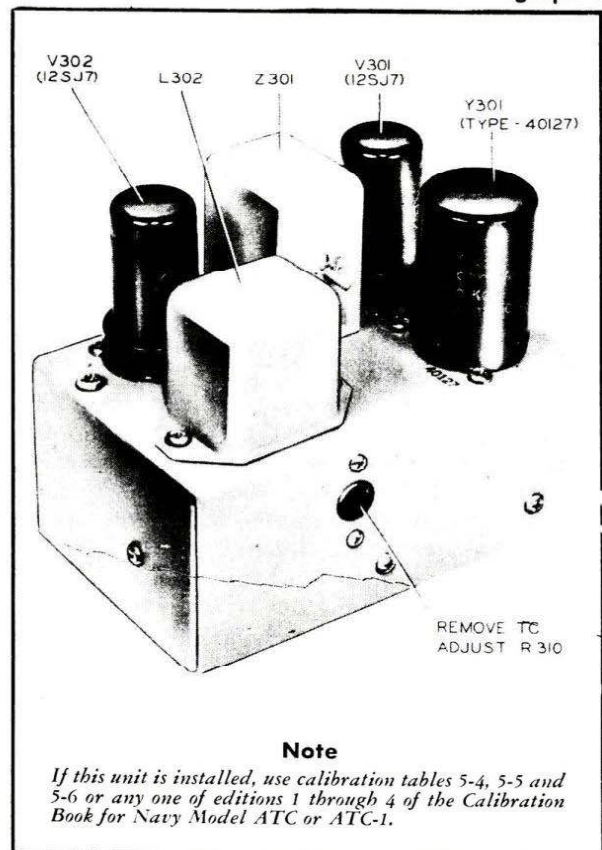


Figure 1-4—Radio Transmitter T-47/ART-13 (Navy Type -52286) with Oscillator 0-16/ART-13 Installed

(1) GENERAL.—Sub-assembly type of construction has been used extensively in the radio transmitter. This type of construction greatly simplifies the removal of component parts without major disassembly of the unit. Vacuum tubes are accessible by removal of the top cover of the transmitter case.

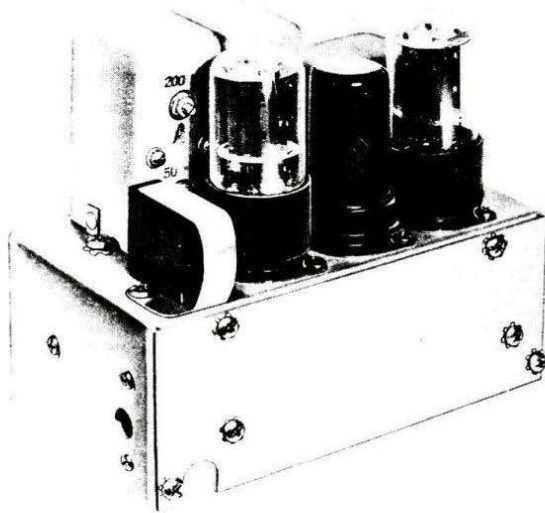
The transmitter proper contains a high frequency oscillator which covers the frequency range 1000 to 1500 kilocycles. A band switch, control "A", connects the proper multiplier circuits to provide operation of the complete transmitter over the frequency range 2000 to 18,100 kilocycles. An internal crystal oscillator permits calibration of the master oscillator at points designated on the calibration tables. The antenna tuning network is incorporated in the transmitter for operation into aircraft antennas. When the radio transmitter is operated in the radio frequency range 3000 to 18,100 kilocycles, the antenna tuning network incorporated in the transmitter is capable of tuning and delivering power into fixed antennas which are between 17 and 65 feet in length. For operation between 2000 and 3000 kilocycles external shunt capacitors may be required in addition to the antenna tuning network in the transmitter to tune and deliver power to fixed aircraft antennas which are between 20 and 60 feet in length. Instructions describing correct use of the shunt capacitor unit are given in section II, paragraph 7b(2) (jj).

The mountings for the transmitters are shown in figures 2-6 and 2-7. Interchangeability of the mountings is given in the table of section I, paragraph 4.

**Note**

If this unit is installed, use calibration tables 5-4, 5-5 and 5-6 or any one of editions 1 through 4 of the Calibration Book for Navy Model ATC or ATC-1.

Figure 1-6—MCW-CFI 8Q-1 Unit

**Note**

If this unit is installed, use calibration tables 5-1, 5-2 and 5-3 or tables in Calibration Book for Radio Transmitting Set AN/ART-13A (T.O. No. 16-30ART13-9). (If this unit is installed when Oscillator O-16/ART-13 is used, refer to par. 6A, section V for instructions for calibrating the oscillator.)

Figure 1-5—MCW-CFI 8Q-2 Unit

Two types of crystal oscillators have been supplied with the transmitters. The MCW-CFI 8Q-1 unit is the original design. (See fig. 1-6.) The later design is known as the 8Q-2 unit. (See fig. 1-5.) The 8Q-2 unit has louder signals at the check points and the check points occur every 50 kilocycles on the master oscillator which spaces them evenly in the calibration tables for a particular band. The distance between them varies with different multiplication factors selected by the band change switch. Different calibration tables are furnished for the different MCW-CFI units in order to indicate the different check points. The figures in the tables are the same regardless of which MCW-CFI unit is used but the position of the check points varies. The units are interchangeable between transmitters providing the proper calibration table is used. Calibration tables 5-1, 5-2, and 5-3 are to be used only when the radio transmitter has an 8Q-2 installed.* (When the radio transmitter has an Oscillator O-16/ART-13 and MCW-CFI 8Q-2 unit installed, refer to par. 6A, section V for calibration instructions for the oscillator.) Calibration tables 5-4, 5-5, and 5-6 are to be used only when the radio transmitter has an 8Q-1 installed.* Determine which is installed before performing adjustments using calibration tables. A

*Calibration tables 5-1 and 5-2 are the same tables which are in "Calibration Book for Radio Transmitting Set AN/ART-13A (T.O. No. 16-30ART13-9)." Calibration tables 5-5 and 5-6 are the same tables which are in editions 1 through 4 for Navy Model ATC.

visual inspection of the radio transmitter with the top cover removed and comparison with figures 1-5 and 1-6 will be sufficient to tell if an 8Q-2 or an 8Q-1 is installed. Use calibration tables accordingly.

(2) RADIO TRANSMITTER T-47A/ART-13. (See Figure 1-3).—These transmitters are a redesign of Radio Transmitter T-47/ART-13. Several changes were made to the circuit including addition of an interlock switch and some components were changed. All of these transmitters are shipped from the factory with an 8Q-2 installed and with Panel MX-128/ART-13 installed in place of low frequency oscillators.

(3) RADIO TRANSMITTER T-47/ART-13. (See Figure 1-4).—These transmitters are identical to those furnished with Navy Model ATC and ATC-1 equipment. Early production was equipped with MCW-CFI unit 8Q-1. 8Q-2 was incorporated during production. Some transmitters already delivered before this unit was incorporated were modified by modification M2. That modification replaced the 8Q-1 with an 8Q-2 and replaced the calibration book to conform to the changed unit. Transmitters with this modification were marked "M2" beside the nameplate. Modification M1 consisted of the addition of an interlock switch which shuts off high voltage from the radio transmitter when the top cover is removed.

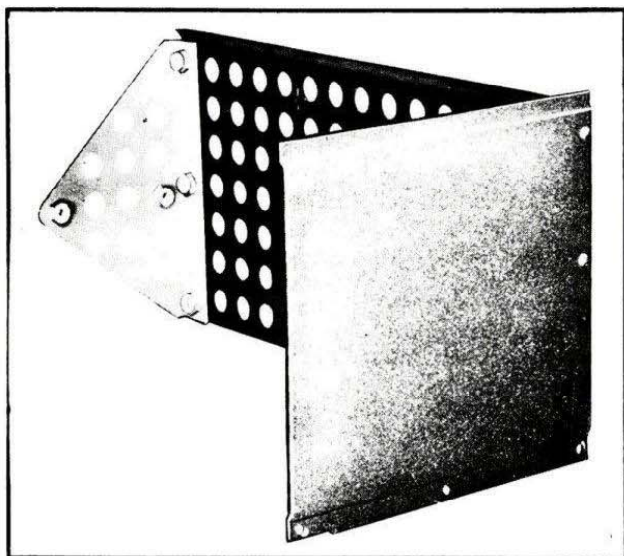


Figure 1-7—Panel MX-128/ART-13

(4) RADIO TRANSMITTERS T-47/ART-13, T-47/ART-13A with CDA-T Crystal Oscillator (See Figure 1-2A). This transmitter includes the original features of each model, excepting that the low frequency unit has been removed and the CDA-T installed in its place. The CDA-T permits operation in the 2000 to 18,000 kilocycles range (crystal controlled and VFO) and with four crystal controlled frequencies, in the low frequency range of 300 to 500 kilocycles.

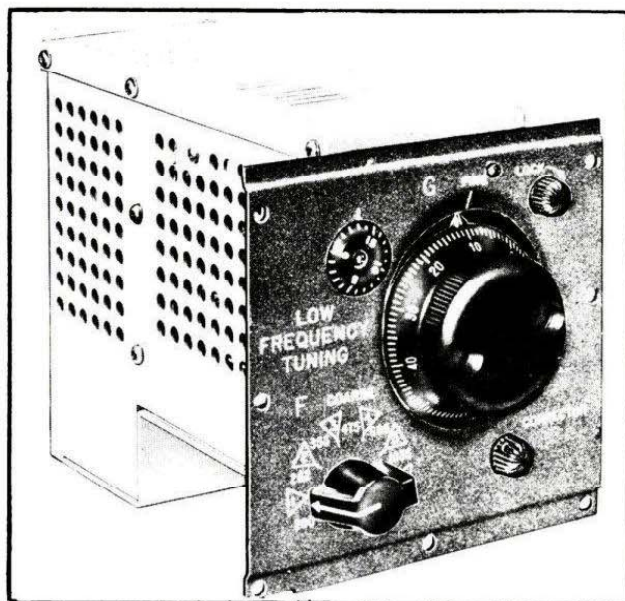


Figure 1-8—Oscillator O-16/ART-13

b. LOW FREQUENCY OSCILLATORS.

(1) GENERAL.—Low frequency oscillators are available for extending the frequency range of the transmitter below 2000 kilocycles. These oscillators are installed in the transmitter proper and obtain their power from the circuits in the transmitter. The front panel of the oscillator, which contains the controls for it, forms a part of the front panel of the transmitter. Check points for the calibration of the low frequency oscillators are obtained from the same MCW-CFI unit that provides check point for the high frequency oscillator in the transmitter. Therefore, care must be exercised in the use of calibration tables to be sure that the proper table is used with the MCW-CFI unit in the transmitter.

(2) OSCILLATOR O-16/ART-13. Figure 1-8 covers the frequency range 200 to 1500 kilocycles. Calibration table 5-3 is for this oscillator with 8Q-2 and calibration table 5-6 is for this oscillator with 8Q-1. The tables in ATC or ATC-1 calibration books, editions 1 through 4 are for this oscillator with 8Q-1. Refer to paragraph 6A, section V for calibration instructions for this oscillator when the MCW-CFI 8Q-2 unit is used.

(3) OSCILLATOR O-17/ART-13A. Oscillator O-17/ART-13A covers the frequency range 200 to 600 kilocycles. Calibration table 5-1 is for this oscillator with 8Q-2 and calibration table 5-4 is for this oscillator with 8Q-1. The tables in the Calibration Book for Radio Transmitting Set AN/ART-13A are for this oscillator with 8Q-2.

(4) PANEL MX-128/ART-13. Figure 1-7 is a blank panel with a resistor to be installed in the transmitter when no low frequency operation is desired. It fills the part of the transmitter panel used for the low frequency oscillator controls and provides the necessary

resistor to replace the filament circuit of the low frequency oscillator tube.

c. ANTENNA LOADING COILS AND SWITCHING UNIT.

(1) GENERAL.—When transmission frequencies in the 200 to 1500 kilocycle range are selected, the antenna tuning and loading circuits, built into the transmitter, are not used and the output of the power amplifier is automatically connected to the loading circuits in external loading coils. Controls are provided on the front panel of the loading coils to permit adjustment of inductive reactance and coupling in order to tune and deliver power to the antenna. A radio frequency ammeter is used in some loading coils to indicate antenna current. Selection of either the trailing wire or fixed aircraft antenna is accomplished by means of a switch knob located on the control panel. Terminal posts facilitate connections to a fixed aircraft antenna, trailing wire antenna, ground (structure of aircraft), the high frequency antenna terminal of the transmitter, the low frequency terminal of the transmitter, and to a 28 volt supply source which is controlled by the output circuit selecting relay (K-105) in the transmitter. The 28 volt d-c source is "keyed" by microphone or telegraph key and actuates a relay in the loading unit. This relay is actuated *only* when control "A" of the transmitter is set on position 13. This low frequency relay connects the aircraft antenna to the "LOAD COIL" terminal of the transmitter through the circuits of the loading unit when the key or micro-

phone button is pressed. Thus, automatic selection of the correct antenna tuning and loading system is accomplished for either high or low frequency operation when the transmitter controls are being set to the desired transmission frequency. When both the trailing wire antenna and the fixed antenna are connected to the loading unit, only one or the other is actually in use for any transmission frequency. The idle antenna is, at all times, automatically connected to a terminal post on the exterior of the control unit. This terminal (labelled "PLUG PL-259") may be connected to a dissociated receiver.

(2) ANTENNA LOADING UNIT CU-32/ART-13-A. (See Fig. 1-9).—The antenna tuning network, low frequency relay, and antenna selector switch are all incorporated in this unit. The network is capable of tuning any antenna (fixed or trailing) 30 to 200 feet in length throughout the range 200 to 600 kilocycles.

(3) ANTENNA LOADING COIL CU-25/ART-13 (See Fig. 1-10).—This unit contains a tuning network capable of tuning a trailing wire antenna 200 feet long throughout the range 200 to 600 kilocycles. It will, in addition, tune fixed antennas in the upper portion of that frequency range. Long antennas can be tuned to lower frequencies than short ones.

(4) ANTENNA LOADING COIL CU-26/ART-13 (See Fig. 1-11).—This unit contains a tuning network capable of tuning, trailing wire antennas 150 feet long

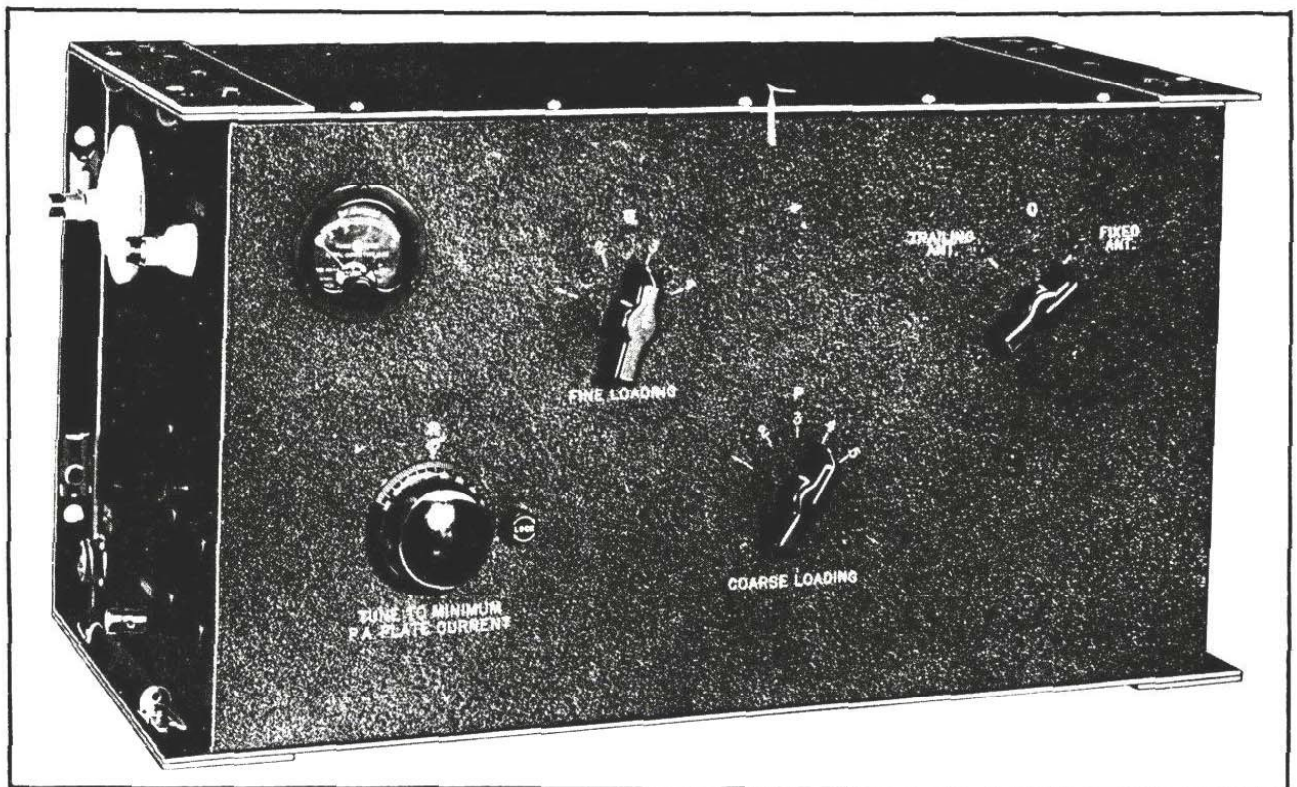


Figure 1-9—Antenna Loading Unit CU-32/ART-13A

SECTION I
Paragraph 5

AN 08-30 ART 13-3

throughout the frequency range 1100 to 1500 kilocycles and 200 feet long throughout the frequency range 500 to 1100 kilocycles. In addition, it may be used for tuning long, fixed antennas in a restricted frequency range. Note that this loading coil is not applicable if Oscillator O-17/ART-13A is used.



Note

Late models were furnished without the meter.

Figure 1-10—Antenna Loading Coil CU-25/ART-13 (Navy Type -47281)

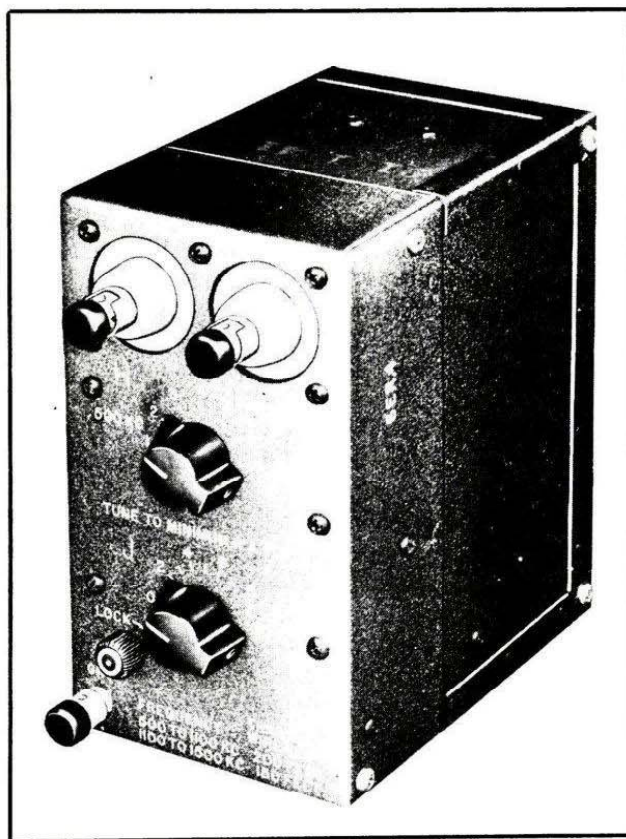


Figure 1-11—Antenna Loading Coil CU-26/ART-13 (Navy Type -47282)

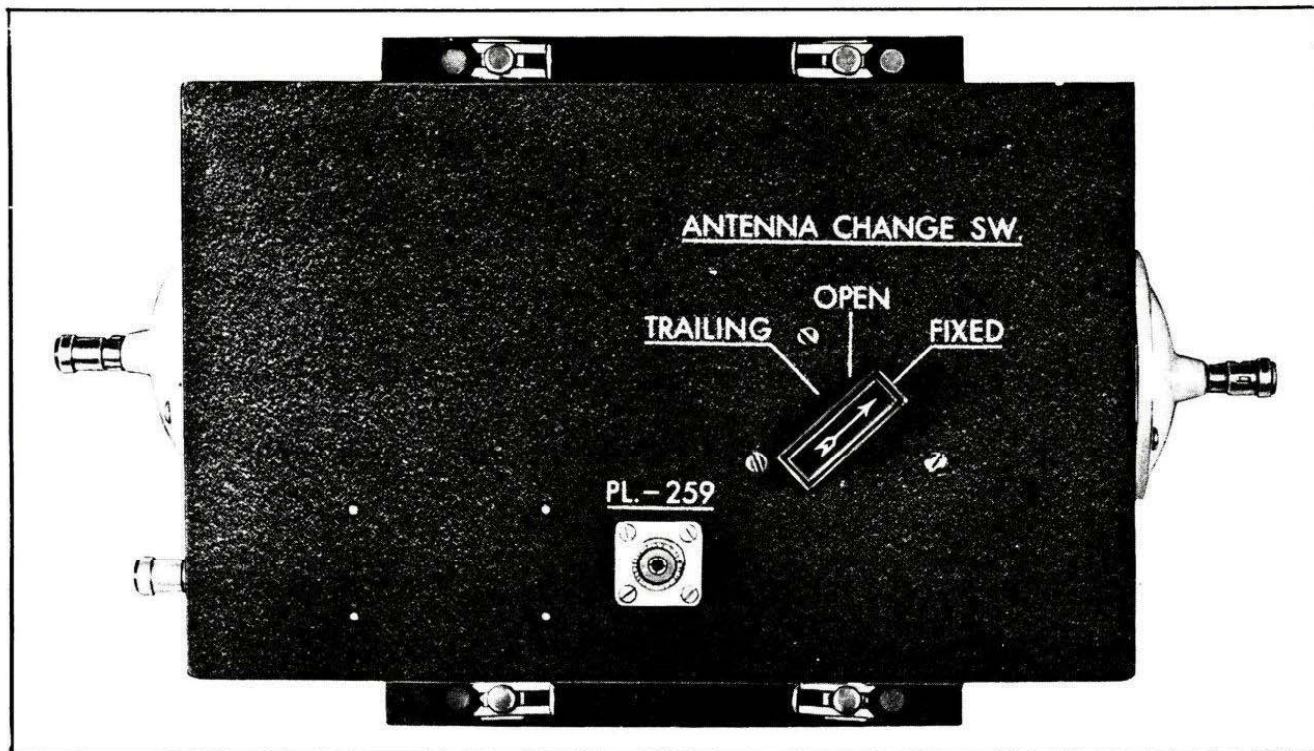


Figure 1-12—Antenna Switching Unit SA-22/ART-13

(5) ANTENNA SWITCHING UNIT SA-22/ART-13 (See Fig. 1-12.)—This unit contains the antenna selector switch and the low frequency relay required for use with Antenna Loading Coil CU-25/ART-13 or CU-26/ART-13. When low frequency equipment is not included in the installation, Switch SA-13/U is used for the antenna changeover switch.

(6) MOUNTINGS.—Mounting Base MT-198/ART-13A (fig. 2-10) is supplied for mounting Antenna Loading Unit CU-32/ART-13A. Mounting plate MT-162/ART-13 (fig. 2-11) is supplied for mounting Antenna Loading Coil CU-26/ART-13. Mounting FT-142 is supplied for mounting Antenna Switching Unit SA-22/ART-13.

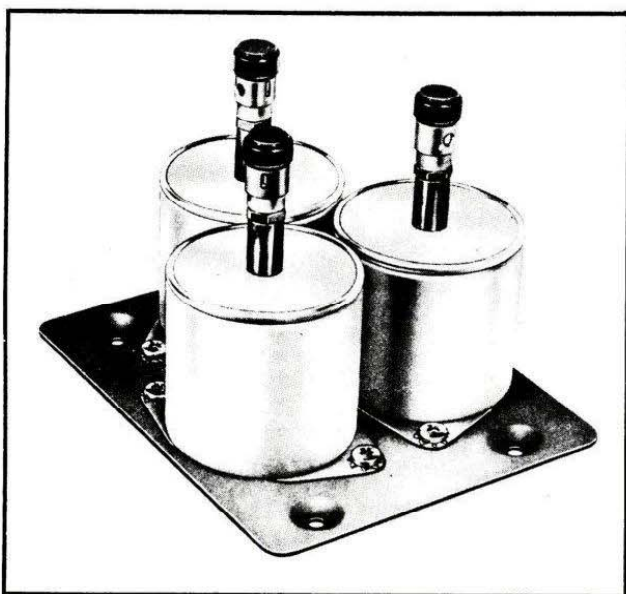


Figure 1-13—Antenna Shunt Capacitor CU-24/ART-13
(Navy Type -481628)

d. ANTENNA SHUNT CAPACITOR AND SWITCH.

(1) Antenna Shunt Capacitor CU-24/ART-13 (see fig. 1-13) is supplied for use with the transmitter. It is used whenever required (see sec. II, par. 7b(2) (jj)), to properly tune and deliver power to fixed aircraft antennas (20 to 60 feet long) operating in the 2000 to 3000 kilocycle range of transmission frequencies. The shunt capacitor unit consists of three individual 25 micromicrofarad capacitors mounted on a plate which serves as a common connection to one terminal of each unit. Each capacitor may be connected individually or collectively to the antenna system by means of the terminal at the top, thus providing capacitance values of 25, 50, or 75 micromicrofarads.

(2) Mounting holes are provided in the base of the antenna shunt capacitor to facilitate attachment to the aircraft structure.

(3) Switch SA-46/ART-13A (see fig. 1-1) is used to connect Antenna Shunt Capacitor CU-24/ART-13 to the transmitter output circuit ("COND" binding post) when it is required.

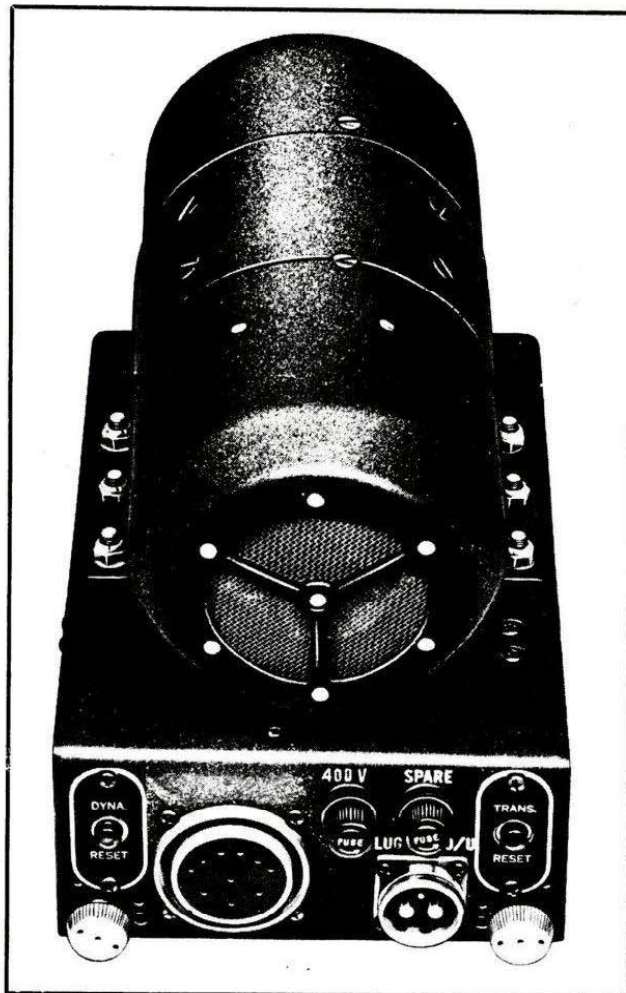


Figure 1-14—Dynamotor Unit DY-17/ART-13A

e. DYNAMOTOR POWER UNIT.

(1) Any one of the following dynamotor power units may be used with this equipment:

(a) Dynamotor Unit DY-17/ART-13A (fig. 1-14).

(b) Dynamotor Unit DY-12/ART-13 (Navy Model -23333 Power Unit, with Dynamotor -21932).

(c) Dynamotor Unit DY-12A/ART-13 (Navy Model -23333 or -23333-A plus -21932).

(d) Dynamotor Unit DY-11/ART-13 (Navy Model -23333 Power Unit, with Dynamotor -21931). (See fig. 1-15.)

(2) The dynamotor unit is the power source used for operation of the radio transmitter. It contains a dynamotor machine, barometric switch, control and overload relays, filters and fuse for overload protection of the plate and screen voltage supply circuits of the low power stages. A 28 volt direct current power source is required for operation of the dynamotor machine as well as for the circuits in the transmitter. Voltages as low as 24 volts d-c may be used but reduction in power output and increased time required for Autotune operation will result.

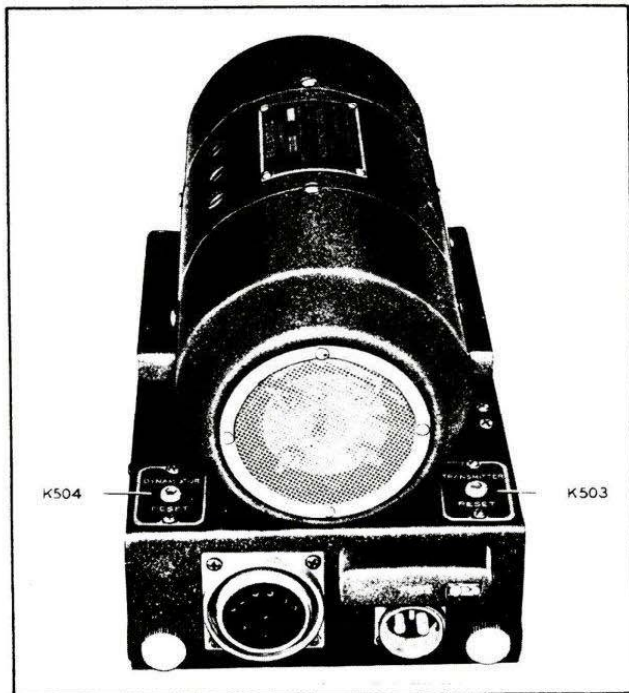


Figure 1-15—Dynamotor Unit DY-11/ART-13 (Navy Type -23333 Power Unit, with Dynamotor -21931)

f. REMOTE CONTROL UNIT

(1) Control Unit C-87/ART-13 (see fig. 1-16) provides a remote control for operation of the transmitter using a variable frequency oscillator unit. By means of the two knobs located on the face of the control unit, the following items may be controlled:

- (a) Turn power supply on or off.
- (b) Select type of emission (CW, MCW or VOICE).
- (c) Select any one of 11 preset transmission frequencies.

(2) Control Unit C-87/ART-13, modified by the addition of an "A-B" channel switch and used with a transmitter employing the CDA-T Crystal Oscillator permits remote control of functions (a) and (b) as outlined above; and allows selection of any one of 20 frequencies in the range of 2000 to 18,000 kilocycles; and one frequency in the range of 300 to 500 kilocycles.



Figure 1-16—Control Unit C-87/ART-13 (Navy Type -23330)

(3) For installations having standardized control panels, Control Panel C-405/A (see fig. 1-17) or C-405A/A replaces and performs all the functions (except key) of Control Unit C-87/ART-13. Control Panel C-405A/A differs from the C-405/A Model in that it has an edge-lighted lucite panel and two panel lamps. It is mechanically and electrically interchangeable with the C-405/A except that it has an additional wire to bring power to the lamps.

Note

Transfer of control from the transmitter panel to the remote control unit is possible only at the transmitter.



Figure 1-17—Control Panel C-405/A or C-405A/A

g. ACCESSORIES.—Complete sets of Phillips and Bristo wrenches are supplied with the equipment. They are fastened beneath the cover of the transmitter or externally, under the plugs on those Radio Transmitters T-47/ART-13 with the MCW-CFI 8O-2 Unit installed).

SECTION II INSTALLATION AND ADJUSTMENT

1. UNCRATING RADIO TRANSMITTING SET AN/ART-13A.

Open packing crates as outlined. Use care to avoid damage and search all packing material to be sure that small packages are not overlooked. All crates are marked with arrows to indicate the upright position. Cut and remove banding around crates.

a. TRANSMITTER CRATE.—Keep in upright position and remove cover of crate. Take off waterproof and foil bags. Remove cloth bags containing silica gel. Remove banding frame (holds transmitter to bottom of crate) by taking off 4 bolts. Lift transmitter out of crate.

b. DYNAMOTOR CRATE.—Keep in upright position and remove cover of crate. Remove waterproof and foil bags. Remove cloth bags containing silica gel. Remove 2 clamps holding dynamotor to base and lift out the dynamotor. Remove Kimpak wrapper.

c. CONTROL UNIT.—Remove cover of crate. Lift out cardboard carton containing the unit. Remove unit from carton and take off foil bag and Kimpak wrapper.

d. ANTENNA LOADING UNIT.—Remove cover of crate. Take off waterproof bag and Kimpak wrapper. Remove foil and waterproof bags. Open cardboard carton and take out cloth bags, containing Silica gel. Lift the unit out and remove Kimpak wrapper.

e. ANTENNA SHUNT CAPACITOR.—Remove cover of crate. Lift out cardboard carton containing the unit.

Remove unit from carton and take off foil bag and Kimpak wrapper.

2. PREPARATION FOR INSTALLATION.

The equipment should be checked before installation to make sure that all parts are operating properly and that no damage occurred during shipment which might cause early failure in service.

a. MECHANICAL INSPECTION.

(1) TRANSMITTER.

(a) Rotate all switches on the face of the transmitter to see that they operate freely and the knobs are fastened tightly to their shafts.

(b) Inspect the terminals at the left end of the transmitter for proper spring action and broken parts.

(c) Inspect the case and mountings for dents or bent portions which might interfere with operation.

(d) Remove the top cover of the transmitter and

1. Make sure the crystal is in the proper position and clamped securely in place. (See fig. 2-1 when MCW-CFI 8Q-2 Unit is used; see fig. 2-2 when MCW-CFI 8Q-1 Unit is used).

2. Make sure all tubes are mounted securely in the sockets and that tubes JAN-811, JAN-1625, and JAN-837 are locked properly. (See fig. 2-1 or 2-2.)

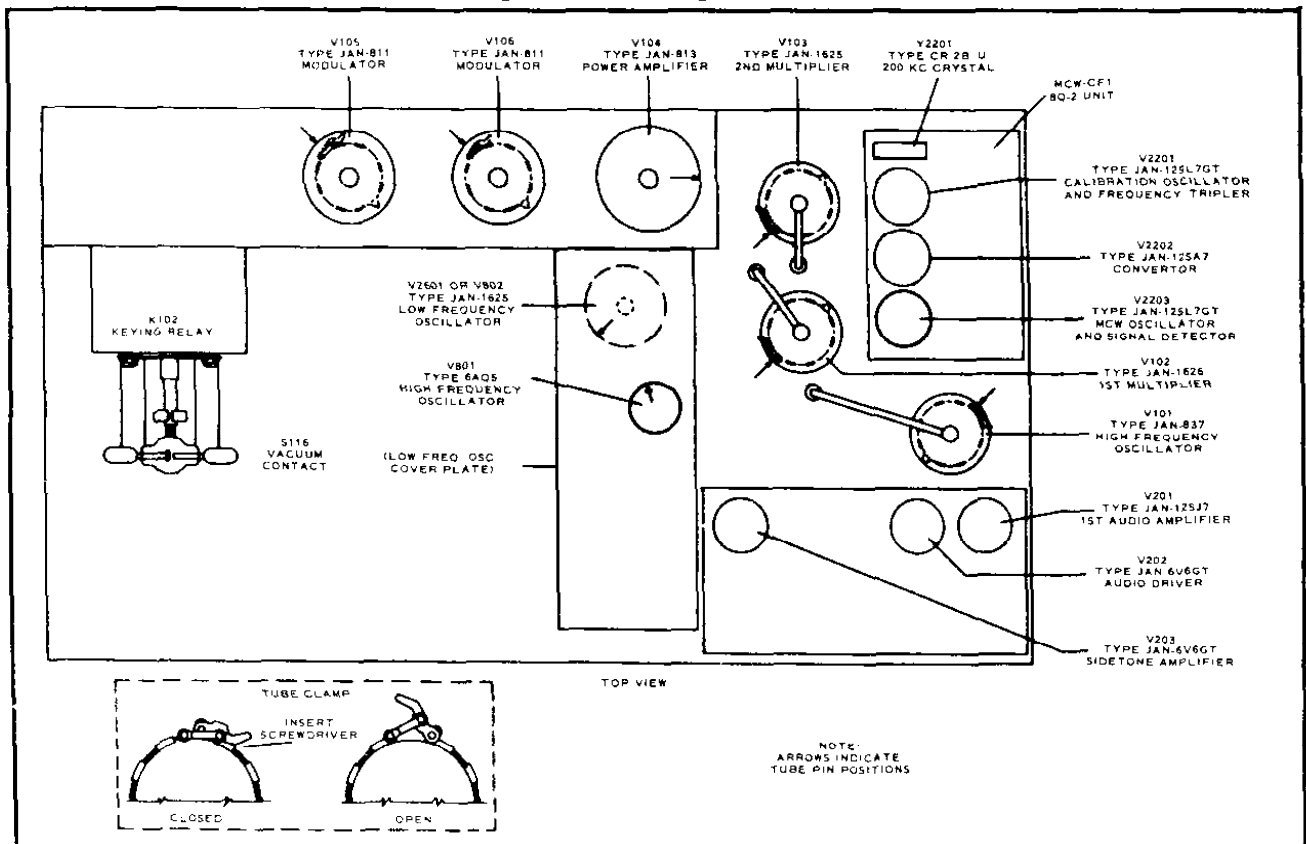


Figure 2-1—Radio Transmitter T-47A/ART-13 and Oscillator O-17/ART-13A (or Oscillators O-16/ART-13 or CDA-T)—Tube Placement Diagram

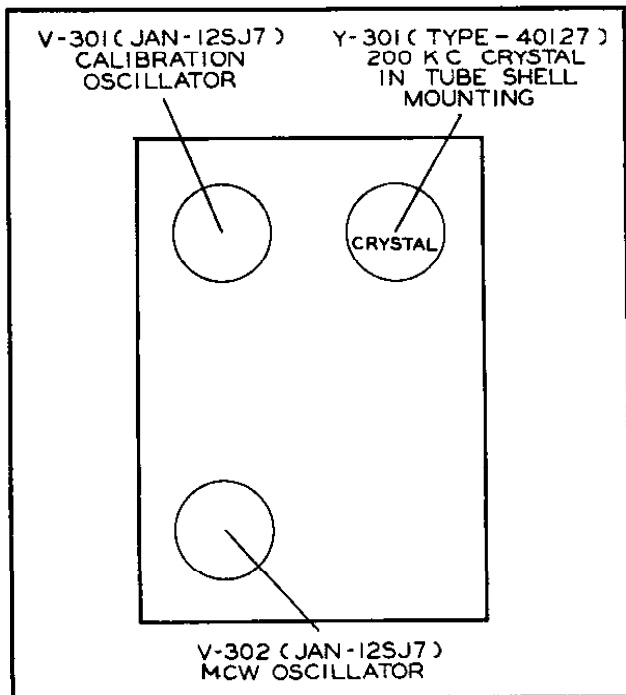


Figure 2-2—MCW-CFI 8Q-1 Unit—Tube Placement Diagram
(see fig. 2-1)

3. Make sure the plate connector caps on all tubes employing them are in the proper position and firm.

4. If the low frequency oscillator is installed, remove the cover from the low frequency oscillator and check the tube for proper seating in the socket, and firm and proper connection of the plate cap. Replace the cover.

5. Check the vacuum switch to be sure it is not broken.

(e) Replace the top cover of the transmitter.

(2) DYNAMOTOR UNIT.

(a) Check the fuse and spare fuse to see that they are serviceable.

(b) Remove the bottom plate and check all relays and stand off insulators for broken parts.

(c) Check the relays by closing them by hand to see that they do not bind and are not bent.

(d) Make sure all circuit elements are mounted securely. Replace the bottom cover.

(e) Make sure the end cover mounting bolts are tight.

(3) CONTROL UNIT.

(a) Turn the switches to make sure they function properly and the knobs are not loose on the shafts.

(b) Press the key to check the spring action and make sure the mechanism does not bind and stick.

(c) Remove the back plate and inspect the switches for broken parts. Replace the plate.

(4) ANTENNA SHUNT CAPACITOR.

(a) Inspect to see that no parts are bent or broken.

(b) Check spring action of all terminals.

(5) ANTENNA LOADING UNIT
CU-32/ART-13-A.

(a) Turn the switches to make sure they function properly and the knobs are not loose on the shafts.

(b) Check all terminals for broken parts and spring action.

(c) Remove the cover and inspect all switches for broken parts.

(d) Make sure that none of the leads are broken or bent in a manner that reduces spacing between leads or the case.

(e) Rotate the variometer ("TUNE TO MINIMUM PA PLATE CURRENT" knob) and make sure it does not bind.

(f) Make sure vacuum switch is not broken.

(g) Make sure mica terminal board is not broken.

(h) Check all stand off insulators to see that none are broken and replace the cover.

(6) ANTENNA LOADING COIL
CU-25/ART-13.

(a) Turn the switches to make sure they function properly and the knobs are not loose on the shafts.

(b) Check all terminals for broken parts and spring action.

(c) Remove the case by removing the screws around the extreme edge of the front panel. Inspect for broken parts.

(d) Make sure that none of the leads are broken or bent in a manner that reduces spacing between leads or the case.

(e) Rotate the variometer ("TUNE TO MINIMUM PA PLATE CURRENT" knob) and make sure it does not bind.

(f) Check all stand off insulators to see that none are broken. Replace the cover.

(7) ANTENNA LOADING COIL
CU-26/ART-13.

(a) Turn the switches to make sure they function properly and the knobs are not loose on the shafts.

(b) Check all terminals for broken parts and spring action.

(c) Remove Mounting Plate MT-162/ART-13 (left side of case) by loosening the captive screws on the right side of the case. Inspect for broken parts.

(d) Make sure that none of the leads are broken or bent in a manner that reduces spacing between leads or the case.

(e) Rotate the variometer ("TUNE TO MINIMUM PA PLATE CURRENT" knob) and make sure it does not bind.

(f) Check all stand-off insulators and shaft insulators to see that none are broken.

(g) Replace Mounting Plate MT-162/ART-13.

(8) ANTENNA SWITCHING UNIT SA-22/ART-13.

(a) Turn the switches to make sure they function properly and the knobs are not loose on the shafts.

(b) Check all terminals for broken parts and spring action.

(c) Remove the cover and inspect the switch for broken parts.

(d) Make sure that none of the leads are broken or bent in a manner that reduces spacing between leads or the case.

(e) Rotate the variometer ("TUNE TO MINIMUM PA PLATE CURRENT" knob) and make sure it does not bind.

(f) Make sure mica terminal board is not broken.

(9) CAPACITOR CONNECTING SWITCH.

(a) Inspect all ceramic parts to make sure none are broken.

(b) Check spacing of jumper leads to make sure it has not been shortened by improperly bent wires.

b. BENCH TEST.

(1) GENERAL.—Check the complete equipment for proper operation before installation in the aircraft. Where numerous installations are to be made, it is recommended that a test bench be set up.

Note

Adjustment procedures for the equipment must be thoroughly understood before making any of the following tests. (See paragraph 7, this section.)

(2) EQUIPMENT REQUIRED.

(a) Complete mock-up including all necessary cables and plugs and one station box with liaison position connected into the mock-up.

(b) A 28-volt direct current power source with a capacity of 35 amperes per transmitter being tested.

(c) Suitable phantom antenna (Antenna A-58).

(d) Head Set HS-33.

(e) Microphone T-17, or Microphone T-30 with Cord CD-318 or CD-508.

(f) Means for checking continuity. This may be a continuity meter or just a battery and light bulb.

(g) Plug PL-55 with the terminals shorted.

(3) TEST PROCEDURE—VARIABLE FREQUENCY OSCILLATOR OPERATION.

(a) Connect the components in the bench mock-up with Antenna A-58 connected to the "FIXED ANTENNA" ("FIXED" terminal when using Antenna Switching Unit SA-22/ART-13) terminal on the antenna loading unit.

(b) Turn "EMISSION" switch to "VOICE" position and "CHANNEL" switch to position "1".

(c) Set the antenna selector switch on the antenna loading unit on "FIXED ANT." position ("FIXED" when using Antenna Switching Unit SA-22/ART-13) and the switch on Antenna A-58 on position "4." Set and lock the transmitter controls on 2400 kilocycles (control "A" on 1) on channel 1 in accordance with the operating instructions for CW operation and using the crystal frequency indicator. Check "P.A.GRID" meter reading to make certain the grid drive to the final amplifier tube is within limits.

(d) Cycle the autotune into channel 1 by moving "CHANNEL" switch to position "2" until the autotune motor starts and then back to position "1." Close "TEST" switch after cycling is completed. The "P.A. PLATE" reading should be very close to that obtained when the channel was set up.

(e) Plug the shorted Plug PL-55 into "T.S." jack and "KEY" jack in turn. Power should be delivered to the antenna in each case.

(f) Lift the calibration chart on the face of the transmitter and make sure that microphone selector switch S201 is in the "CARBON" position and safety wired. (See fig. 2-3.) Turn "EMISSION" switch to "VOICE," plug the microphone into "MICROPHONE" jack, and press the button. Power should be delivered to the antenna and the plate current should be slightly above that for CW operation. Speak or whistle into the microphone. Plate current should rise near or higher than the "MCW" area on the meter with modulation.

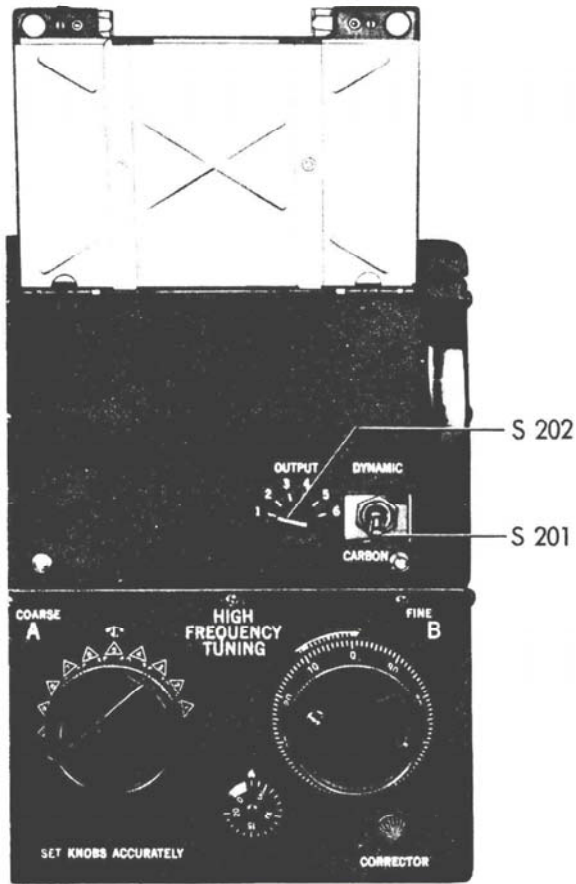
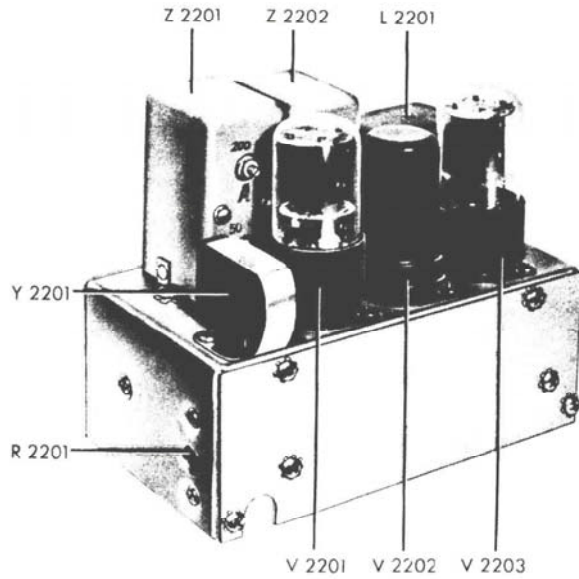


Figure 2-3—Microphone Selector Switch and Sidetone Output Switch

(g) Place "EMISSION" switch on "MCW" position and close "TEST" switch. Power should be delivered to the antenna and the plate current meter should read 190 or higher. If this reading is not obtained, readjust the MCW control until a reading of at least 190 is secured. This screwdriver adjustment is located inside the transmitter and is reference number R-2201 when using the MCW-CFI 8Q-2 Unit (see fig. 2-4), and is reference number R-310 as shown in figure 2-5 when the transmitter employs the MCW-CFI 8Q-1 Unit.

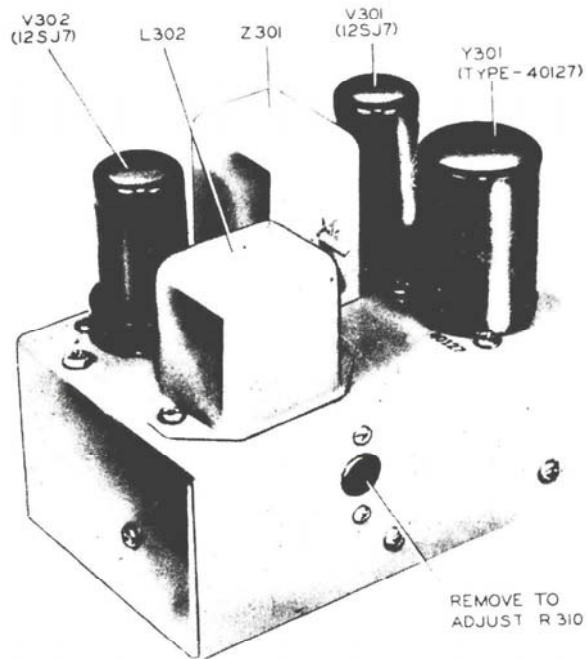
(b) Listen in the "SIDETONE 1" circuit and key the transmitter on "CW," "MCW," and modulate on "VOICE" position. The proper sidetone signal should be heard on all emission positions. Repeat with head sets plugged into the station box connected as a part of the mock-up. Lift the calibration chart the set "OUTPUT" switch S202 on each position in turn. (See fig. 2-3.) The proper sidetone signal should be heard on each position, being louder the higher the number of the switch position.



Note

If this unit is installed, use calibration tables 5-1, 5-2 and 5-3 or tables in Calibration Book for Radio Transmitting Set AN/ART-13A (T.O. No. 16-30ART13-9). (If this unit is installed when Oscillator O-16/ART-13 is used, refer to par. 6A, section V for instructions for calibrating the oscillator.)

Figure 2-4—MCW-CFI 8Q-2 Unit—Showing R-2201



Note

If this unit is installed, use calibration tables 5-4, 5-5 and 5-6 or any one of editions 1 through 4 of Calibration Book for Navy Model ATC or ATC-1.

Figure 2-5—MCW-CFI 8Q-1 Unit—Showing R-310

(i) Set up and lock the other channels of the autotune by loading the transmitter into the phantom antenna, with controls "A" and "B" set as follows:

Channel	A	B
2	2	200
3	3	100
4	4	060
5	5	100
6	6	100
7	7	100
8	8	100
9	9	100
10	10	100

(j) Place the switch on Antenna A-58 on position "3."

(k) Set up the "L.FREQ." channel on 400 kilocycles using the internal CFI.

(l) Place the switch on Antenna A-58 on position "4."

(m) Place "CHANNEL" switch on "MANUAL," power level switch on "TUNE," meter switch on "P.A. GRID," control "B" on 100, control "C" on 13, control "A" on 11, and close "TEST" switch. The meter should read in or slightly above the lightly shaded area under "P.A.GRID." Repeat with control "A" on position 12.

(n) If the installation includes the antenna shunt capacitor, close its connecting switch and tune the transmitter near 2300 kilocycles. Open the switch.

(o) Turn "EMISSION" switch to "OFF."

(p) Change the phantom antenna lead from the "FIXED ANTENNA" ("FIXED" terminal on Antenna Switching Unit SA-22/ART-13.) terminal on the antenna loading unit to the "TRAILING ANTENNA" ("TRAILING" terminal on Antenna Switching Unit SA-22/ART-13) terminal and set the switch to the "TRAILING ANT." ("TRAILING position on Antenna Switching Unit SA-22/ART-13) position.

(q) If the installation includes the remote control unit, set "LOCAL REMOTE" switch on "REMOTE" position, the emission switch on the remote control unit on "VOICE," and "CHANNEL" switch on position "1." Then place the emission switch on "CW." Wait for the light on the control unit to come on.

(r) Press the key on the control unit. Power should be delivered to the antenna and the meter should read in the area marked "CW." Meter readings should be very close to those obtained previously.

(s) Check operation on "VOICE" from the control unit by means of its emission switch and the microphone jack on it.

(t) Select channels "2" to "L.F." on the control unit in turn, closing the key each time the autotune completes cycling. Operation should be normal on each; meter readings, plate and antenna, should be very close to those obtained previously.

(u) Disconnect the wires from the "ANT." and "LOAD COIL" posts and check continuity between the "RECEIVER" and ground posts. They should be open with the key up and closed with the key down. Remove the input plug from the dynamotor unit and then check continuity between the "ANT" and "RECEIVER" posts. They should be connected.

(4) TEST PROCEDURE—CRYSTAL OSCILLATOR OPERATION

(a) With the CDA-T Crystal Oscillator in use, VFO operation is still obtainable in the frequency range of 2000 to 18,100 kilocycles, by throwing the "VFO/XTAL" switch to the "VFO" position. Then follow instructions as outlined in paragraph (3), (a) through (u) of Section II.

(b) For crystal operation in the frequency range of 2000 to 18,000 kilocycles:

1. Turn the "VFO/XTAL" switch to "XTAL", and the "A-B" switch to "A".

2. Follow procedure outlined in paragraph (3) (a) through (b), of Section II. It will be noted that the "P.A. GRID" meter reading will be lower for Crystal operation than for VFO; how much lower depends to a great extent on the frequency in use. "P.A.PLATE" meter readings may also vary, but not to the same extent as the "P.A.GRID". While a definite "P.A.GRID" reading cannot be specified for crystal operation, it should never go below the "40" indication on the meter. Remember that these readings are for comparison purposes only, and do not represent any definite amount of grid drive.

3. After this channel has been checked with the "A-B" switch setting on "A", switch to "B", and note the differences if any, between the two frequencies. It may sometimes be necessary to adjust the transmitter's loading and calibration settings to a midway point between the "A" and "B" settings, to obtain the maximum average output.

4. Set up channels 2 through 10, as outlined above for channel 1.

(c) For crystal operation in the frequency range of 300 to 500 kilocycles:

1. Set "VFO/XTAL" switch to "XTAL"; the 4-position switch on the CDA-T Unit to position "1"; and the transmitters channel to "L.FREQ.", (which should position the "A" dial to it's #13 setting). If the transmitter's "A" dial is not on #13, it should be set manually or by re-setting the Autotune.

2. Check the "P.A.GRID" and "P.A.PLATE" meter indications as previously outlined for the higher frequency range, keeping in mind that these indications will also vary on the low frequency range from VFO operation.

3. Turn the 4-position switch on the CDA-T Unit to each position, and re-check as outlined above.

(d) For crystal operation—Remote control.

1. Follow instructions as outlined in paragraph (3) (q) through (u).

2. To obtain 2 frequencies on each of the 1 through 10 channels, throw the "A-B" switch to each of its positions. Only 1 low frequency is obtainable on remote control, and it depends on the setting of the 4-position switch on the transmitter's CDA-Unit.

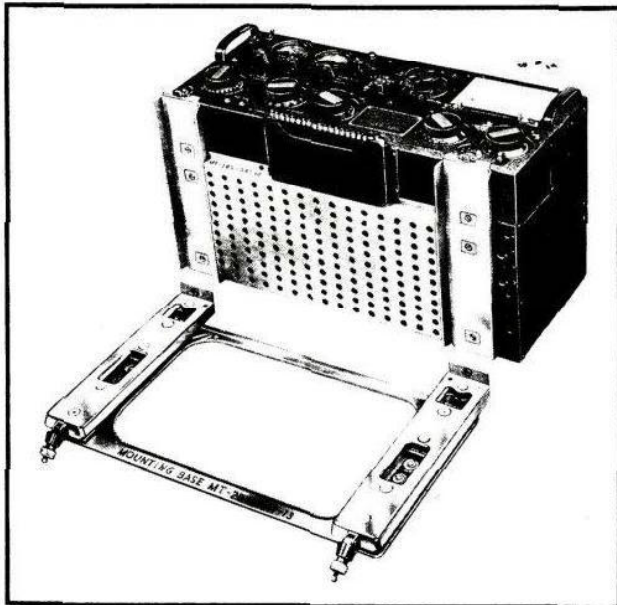


Figure 2-6—Radio Transmitter T-47A/ART-13 with Mounting Base MT-284/ART-13 and Mounting Plate MT-283/ART-13

3. INSTALLATION.

a. TRANSMITTER.—Mount the transmitter at a height convenient for operation of the controls. Outline dimensions, ventilation provisions, clearances required for operation and removal, bonding and mounting hole sizes and placement are shown in figures 5-1 and 5-2.

(1) To install the unit on Mounting Base MT-284/ART-13, the transmitter must be equipped with Mounting Plate MT-283/ART-13. After Mounting Base MT-284/ART-13 has been installed in the aircraft in accordance with figure 5-1, set the transmitter on the mounting with the channels engaged, slide it backwards to engage the holding pins and tighten the locking knobs on the front of the transmitter by turn-

ing them clockwise until tight. Be sure the holding pins on the back of the unit engage the proper holes before tightening the locking knobs. Safety wire the locking knobs in position.

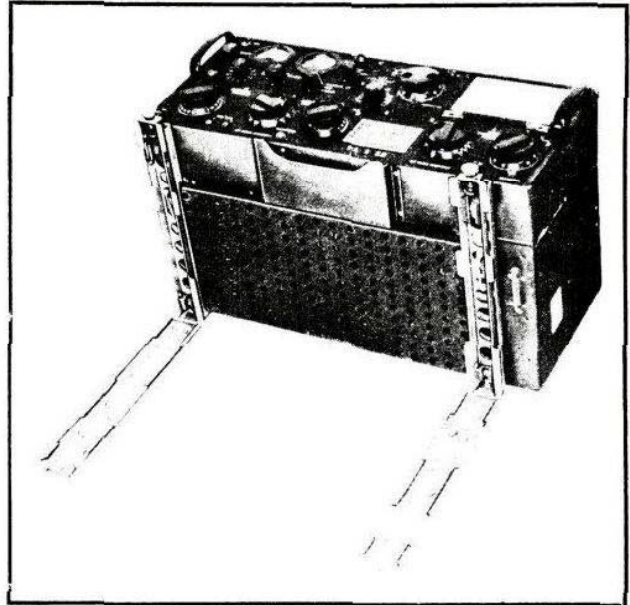


Figure 2-7—Radio Transmitter T-17/ART-13 with Mounting Base MT-161/ART-13 (Navy Type -52286 Transmitter)

(2) To install the unit on Mounting Bases MT-161/ART-13, the transmitter must be equipped with the two channel shock mounts and the perforated tray. After the mounting bases have been installed in the aircraft in accordance with figure 5-2, either slide the transmitter in from the front or set the unit on top of the mounting bases approximately 2 inches forward of its proper position. Slide the unit back as far as it will go and lock it by turning the knobs on the front of the transmitter in a clockwise direction until they are tight. Fasten the locking knobs in position with safety wire.

b. DYNAMOTOR UNIT.—Locate the dynamotor unit in such a position that it will be possible to reach the "RESET" buttons and the "FUSE" on the front of the unit while in flight. Both ends must be at least three inches from a flat surface to provide sufficient ventilation.

Figure 5-3 shows outline dimensions, plug clearances, bonding and mounting hole positions and sizes for Dynamotor Unit DY-17/ART-13. Similar information for Dynamotor Units DY-11/ART-13, DY-12/ART-13 and DY-12A/ART-13 is contained in figure 5-4.

To install the dynamotor unit on the mounting plate, set it on the mounting and slide it backward until the holding pins are engaged, then tighten the two locking knobs on the front of the unit by turning them clockwise.

(1) Safety wire Dynamotor Unit DY-11/ART-13, DY-12/ART-13, or DY-12A/ART-13 by wiring the two locking knobs together. See figure 2-9.

(2) Safety wire Dynamotor Unit DY-17/ART-13 by passing the wire through one of the holes in the knob and the hole in the corner of the filter and relay box. See figure 2-8.

c. ANTENNA LOADING EQUIPMENT FOR LOW FREQUENCY OPERATION.—For the frequency range 200 to 600 kilocycles either Antenna Loading Unit CU-32/ART-13A with its associated Mounting Base MT-198/ART-13A or Antenna Loading Coil CU-25/ART-13 and Antenna Switching Unit SA-

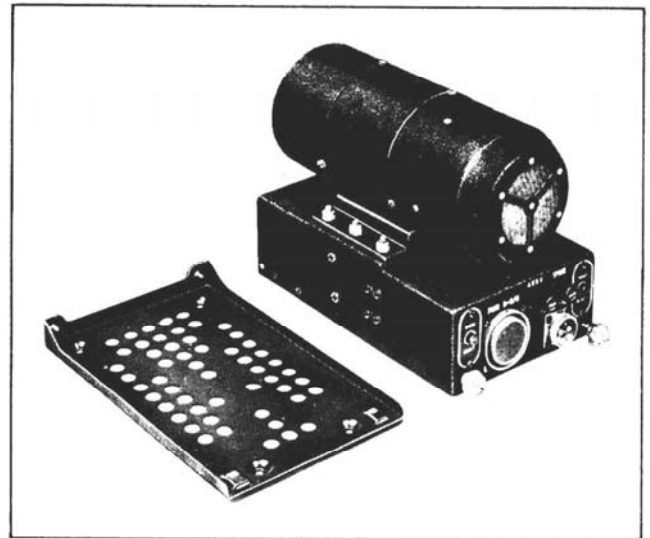


Figure 2-9—Dynamotor Unit DY-17/ART-13A with Mounting Plate MT-164/ART-13

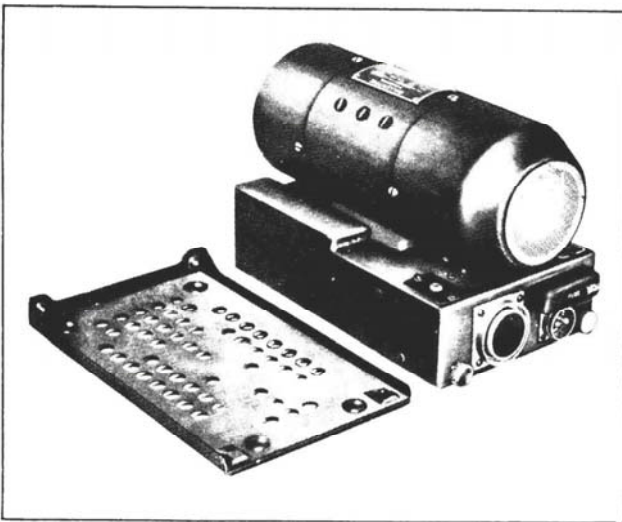


Figure 2-8—Dynamotor Unit DY-11/ART-13 (Navy Type -23333 Power Unit, with Dynamotor -21931)—with Mounting Plate MT 164/ART-13

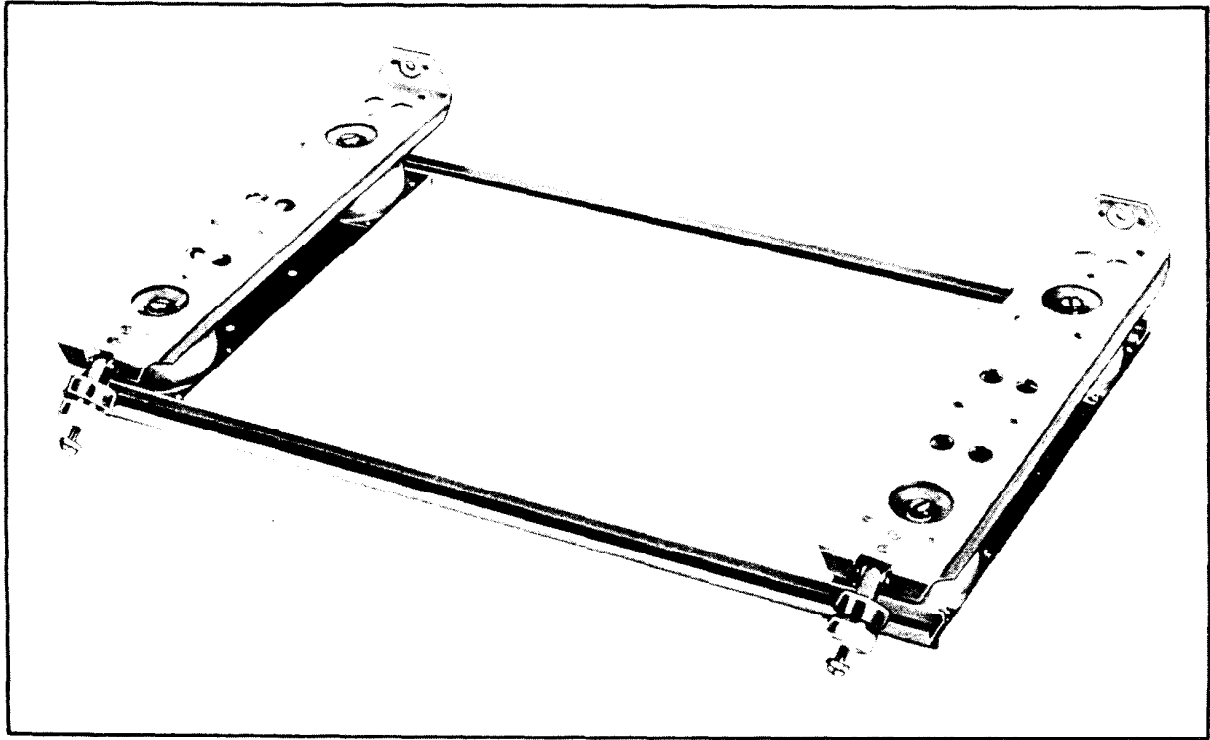


Figure 2-9A—Mounting Base MT-284A/ART-13

22/ART-13 with Mounting FT-42 may be used. For the frequency range 500 to 1500 kilocycles, use Antenna Loading Coil CU-26/ART-13 with Mounting Plate MT-162/ART-13 and Antenna Switching Unit SA-22/ART-13 with Mounting FT-142. If operation below 2000 kilocycles is not required in the installation, install Switch SA-13/U in place of loading or switching units. For outline dimensions, see figure 5-10.

Mount the loading and switching units within easy reach of the operator. Provide at least 6 inches of clearance between electrical terminals on each side of the units and surrounding objects.

(1) ANTENNA LOADING UNIT CU-32/ART-13A AND MOUNTING BASE MT-198/ART-13A.

(a) Figures 5-5 and 5-6 show outline dimensions, required clearances, mounting hole locations, and bonding instructions for these units. The loading unit may be attached to the mounting plate in either of the positions shown. Snap slides are used to secure the loading unit to the mounting base. Duplicate sets of snap slides are provided on the top, back, and bottom of the loading unit case. Thus, the mounting base may be located above or below the loading unit, and the unit may be mounted facing out, up, or down.

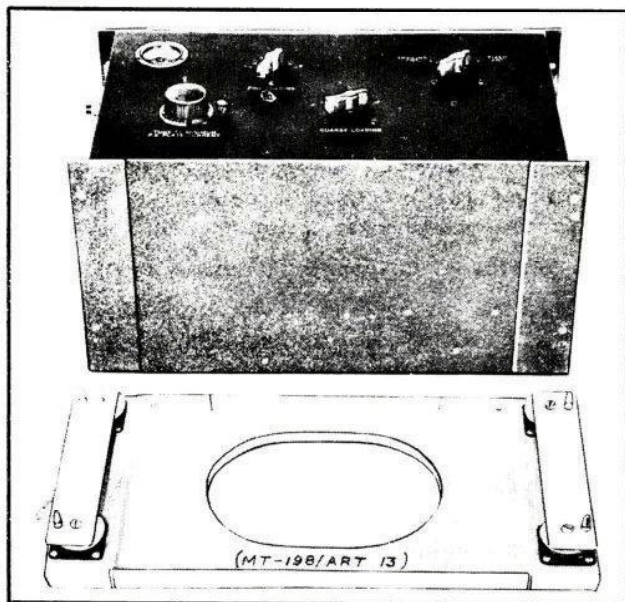


Figure 2-10—Antenna Loading Unit CU-32/ART-13A with Mounting Base MT-198/ART-13A

(b) The mounting base is mounted on the structure of the aircraft by means of eight $\frac{1}{4}$ screws (see fig. 5-4 for location of holes.)

(c) After the mounting base has been installed, place loading unit in position on mounting base and

secure by closing all four snap slides (one on each corner of the case.) Safety wire the four snap slides.

(2) ANTENNA LOADING COIL CU-25/ART-13 (NAVY TYPE -47281).

(See Fig. 1-10.)

(a) Figure 5-7 shows the outline dimensions and the distances between centers of the mounting holes. The loading coil may be mounted using holes on either of the two sides, top, bottom or rear of the case.

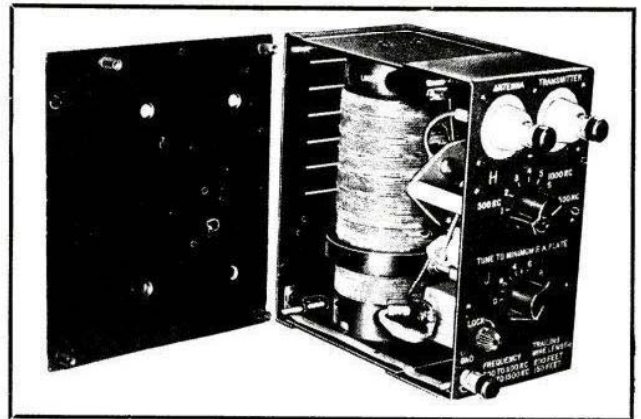


Figure 2-11—Antenna Loading Coil CU-26/ART-13 with Mounting Plate MT-162/ART-13 (Navy Type -47282)

(b) To mount the case, remove the front panel by removing the panel securing screws and pulling the panel forward. All unit components are attached to the panel; therefore, the removal of the front panel leaves the case free for mounting. Approximately $11\frac{1}{8}$ inches clearance between the unit front panel and nearest obstruction is necessary for removal of the unit from the case.

(3) ANTENNA LOADING COIL CU-26/ART-13 (NAVY TYPE -47282).

(See Fig. 2-11.)

(a) Figure 5-9 shows the outline dimensions and the distances between centers of the mounting holes. Mounting Plate MT-162/ART-13 is used to mount the unit. That plate is a part of the case (the left side) of the unit and is, therefore, delivered installed on the unit.

(b) To mount this unit, remove Mounting Plate MT-162/ART-13 by loosening the four captive screws on the right side of the unit and fasten the mounting plate to the structure of the aircraft. Fasten the unit to the mounting plate by means of the captive screws.

(4) ANTENNA SWITCHING UNIT SA-22/ART-13.

(a) Figure 5-8 shows the outline dimensions and position and size of mounting holes. Mounting FT-142 is used to mount the unit.

(b) Fasten the mounting to the aircraft and then mount the unit by means of the four snap slides. Safety wire and the snap slides in position.

(c) Connect a two-conductor cable between the antenna switching unit and the transmitter. Insert the male connector Plug U-11 U into the transmitter and the female connector, Plug U-12 U, into the receptacle on the switching unit.

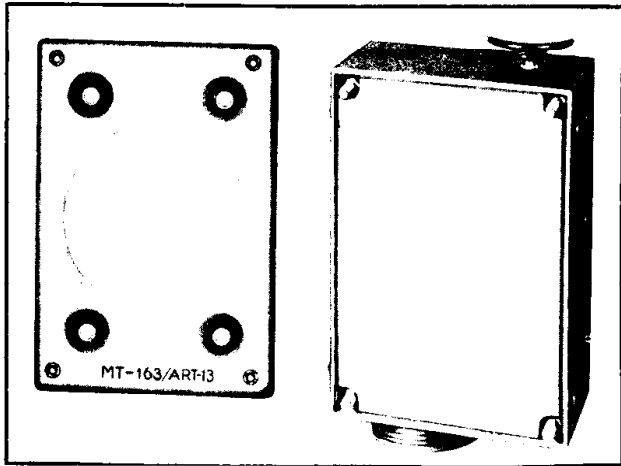


Figure 2-12—Control Unit C-87/ART-13 with Mounting Plate MT-163/ART-13 (Navy Type -23330)

d. REMOTE CONTROL UNIT. (See figure 2-12.) Locate the control unit so that the controls are easily accessible to the operator. Mount it with the key upward leaving sufficient space for operation of the key.

(1) See figure 5-11 for outline dimensions, plug clearances and mounting hole positions and sizes.

(2) To mount the control unit on the mounting plate, place the unit on the mounting and tighten the four screws, one in each corner.

e. ANTENNA SHUNT CAPACITOR AND CONNECTING SWITCH.

(1) Locate the units as near the left end of the transmitter as possible. Place the switch between the unit and the transmitter in such a position that it can be operated during flight and so vibration will not cause it to close. The total length of leads from the transmitter to the capacitor shall not exceed 12 inches.

(2) See figure 5-12 for antenna shunt capacitor outline dimensions, bonding and position and size of mounting holes. See figure 5-13 for shunt capacitor connecting switch outline dimension.

f. ANTENNAS AND LEAD INS.—Antenna Equipment AN ARA-4 has been designed for use with this transmitting equipment and its associated receiving equipment (Radio Receiving Set AN ARR-11.) Use number 10 bare copper wire for connecting the trans-

mitting antenna circuits inside the plane. Space the wires at least 1½ inches from any other metallic object. Use Beads IN-83 for additional protection where required.

4. INTER-UNIT CONNECTIONS.

a. Make up the inter-unit connections when installing the equipment. A drawing of a typical wiring diagram for Radio Transmitting Set AN ART-13A is shown in figure 5-15. Typical wiring diagram for Radio Transmitting Set AN ART-13 is shown in figure 5-16.

b. Cut the wires to the proper length for the installation involved.

c. Allow enough additional length for each cable so that the cable is not tight enough to interfere with the action of the shock mounts or to damage the connectors.

d. Figure 5-14 shows the dimensions of the plugs and outlines the method of connecting wires to the terminals.

e. Insert each plug into the corresponding socket in the equipment. Sockets are marked with the nomenclature of the proper plug.

f. Tighten the locking rings on all plugs and safety wire them in place.

5. INSPECTION AND TEST AFTER INSTALLATION.

a. Inspect the inter-connections to check them for conformity to the mock-up of the particular installation.

b. Check the knurled knobs on the front of the transmitter and dynamotor unit, the microphone selector switch under the chart and all connector plug locking rings for presence of safety wiring.

c. Inspect the antenna for proper security and tension.

d. Check the connections to the receiver, antenna ground and loading unit, making certain the spring connector terminals are making good contact with the wires.

e. Check all components for security of mounting.

f. Set up the frequencies to be used in the flight test on the channels desired according to the procedure given in paragraph 7, this section.

g. If low frequency equipment is installed, set up one frequency in the range 200 to 600 kilocycles and check for proper operation (see subparagraph 7b, (4) and 7c (3), this section).

b. Cycle each channel in turn and check each for proper operation on "CW" by closing the key and noting the plate current for each. Plate current with the meter switch is "P.A. PLATE" position should be in the area marked "CW." Do not leave the key down any longer than necessary.

i. Check "VOICE" and "MCW" operation on one frequency.

j. If remote control is included in the installation, cycle each channel from the control Unit with the "LOCAL-REMOTE" switch in the "REMOTE" position. Check "VOICE," "CW" and "MCW" operation on one channel from the remote control unit.

k. Turn on the receiver, make sure the "NORMAL-MONITOR" switch is in the "NORMAL" position, and listen in the liaison position of the jack box. The receiver hiss should be heard with the key up; the proper transmitter sidetone signal should be heard with the key down. Set the "OUTPUT" switch under the calibration chart on the position that gives the proper volume of sidetone signal when the transmitter is being keyed or modulated.

l. Tune the receiver for CW operation ("CW.OSC") switch in the "ON" position on one of the frequencies set up on the transmitter. Set "NORMAL-MONITOR" switch (normally on "LIAISON" junction box) in "MONITOR" position and turn the power level switch on the transmitter to "CALIBRATE" position. It should be possible to hear a beat note and to tune the beat note to zero by rotating the receiver dial. Return the power level switch to "OPERATE" and the "NORMAL MONITOR" switch to "NORMAL" position.

m. Establish communication with the ground station on each frequency to be used in the flight test.

6. FLIGHT TEST.

During the airplane test flight, establish communication with the ground station on both fixed and trailing wire antennas. The transmitter should be operated a minimum length of time on a regularly assigned test frequency.

7. ADJUSTMENTS.

WARNING

Operation of this equipment involves use of high voltages which are dangerous to life. Operating personnel must observe all safety regulations. Whenever the dynamotor is running, there is a potential of 1150 volts applied to the plate caps on top of the tubes.

ii. USE OF CALIBRATION TABLES.

(1) The low-frequency and high-frequency oscillators are electron coupled with no provision made for crystal control of the frequency of either oscillator. Therefore, a crystal controlled frequency standard has been incorporated in the equipment to be used for the calibration of the variable frequency oscillators.

(2) Detailed oscillator calibration tables 5-1, 5-2, and 5-3 are included in section V for the crystal frequency indicator (MCW-CFI 8Q-2 Unit, shown in figure 2-1) delivered with Radio Transmitter T-47-

A/ART-13. Tables for the old crystal frequency indicator MCW-CFI 8Q-1 Unit are 5-4, 5-5, and 5-6, as delivered with some Radio Transmitters T-47/ART-13 (Navy Type -52286) and illustrated in figure 2-5. Calibration instructions for Oscillator O-16/ART-13, when MCW-CFI 8Q-2 unit is installed in the transmitter, are included in paragraph 6A, section V.

Note

Be sure to use the correct table.

Calibrating frequency "check points" have been indicated in the calibration tables by printing them in heavy black type. When checking the calibration, it is necessary to use the check point which is numerically nearest to the transmission frequency that is to be used. In calibration tables 5-1 and 5-2 horizontal lines appear at intervals in the columns which serve to indicate the direction of the nearest check point. In these tables always use the check point which appears between the same horizontal dividing lines that the desired frequency appears between. In calibration tables 5-3, 5-4, 5-5, and 5-6 use the first check point (heavy type) that is encountered by either looking back to succeeding lower frequencies or by looking ahead to succeeding higher frequencies. A note is included at the bottom of each table which will aid in locating the correct check point.

(3) The check points are frequencies at which audio beat notes between the output of the low-frequency oscillator or the output of the high-frequency oscillator and the harmonics of the CFI unit may be heard. These "beat notes" are used for setting the dial and the movable indicator mark in adjusting for proper calibration of the oscillator. The frequencies in the tables are given in kilocycles with the control positions in columns opposite the frequency. The numbers in columns B or G may be considered as combination numbers. For control "G," the hundreds figures (the one or two figures in the third and fourth positions to the left of the decimal point as underlines in the following example 724.6 or 1536.4) are set on the revolution counter near the control and the rest of the number is set on the dial, estimating the figure to the right of the decimal and setting it between divisions on the dial. For control "B," the hundreds figures are set the same as for control "G," the two figures immediately to the left of the decimal point (724.6 or 1536.4) are set on the dial and the figure to the right of the decimal point (724.6 or 1546.4) is set by means of a vernier. To obtain the settings given in the columns under B and G (B and G represent both dial designation and calibration table column heading) rotate the control until the revolution counter indicates the proper number of full revolutions and the dial indicates the fraction of a revolution. For accuracy in setting control "B," a vernier scale has been provided. To use the vernier, set that part of the number to the left of

SECTION II
Paragraph 7

AN 08-30 ART 13-3

the decimal point opposite the zero line on the vernier scale. Then note the line on the vernier scale that corresponds to the figure to the right of the decimal point and rotate the dial slightly in a clockwise direction until that line of the vernier is lined up with the first line on the dial that approaches it. For example, opposite 3410 kc the reading under B in the table is 1114.1. To obtain this setting of control "B," rotate the dial until the revolution counter indicates that the control has been rotated 11 full revolutions from the zero setting (see fig. 2-13); then continue to rotate the con-

trol until 14 on the dial appears opposite the zero line on the vernier scale, note line 1 on the vernier scale and further rotate the dial until the first line (15) on the dial lines up with line 1 on the vernier.

Note

Radio Transmitter T-47/ART-13 (Type -52286) cannot be set up as accurately as Radio Transmitter T-47A/ART-13 since no vernier was supplied and calibration tables are not as accurate.

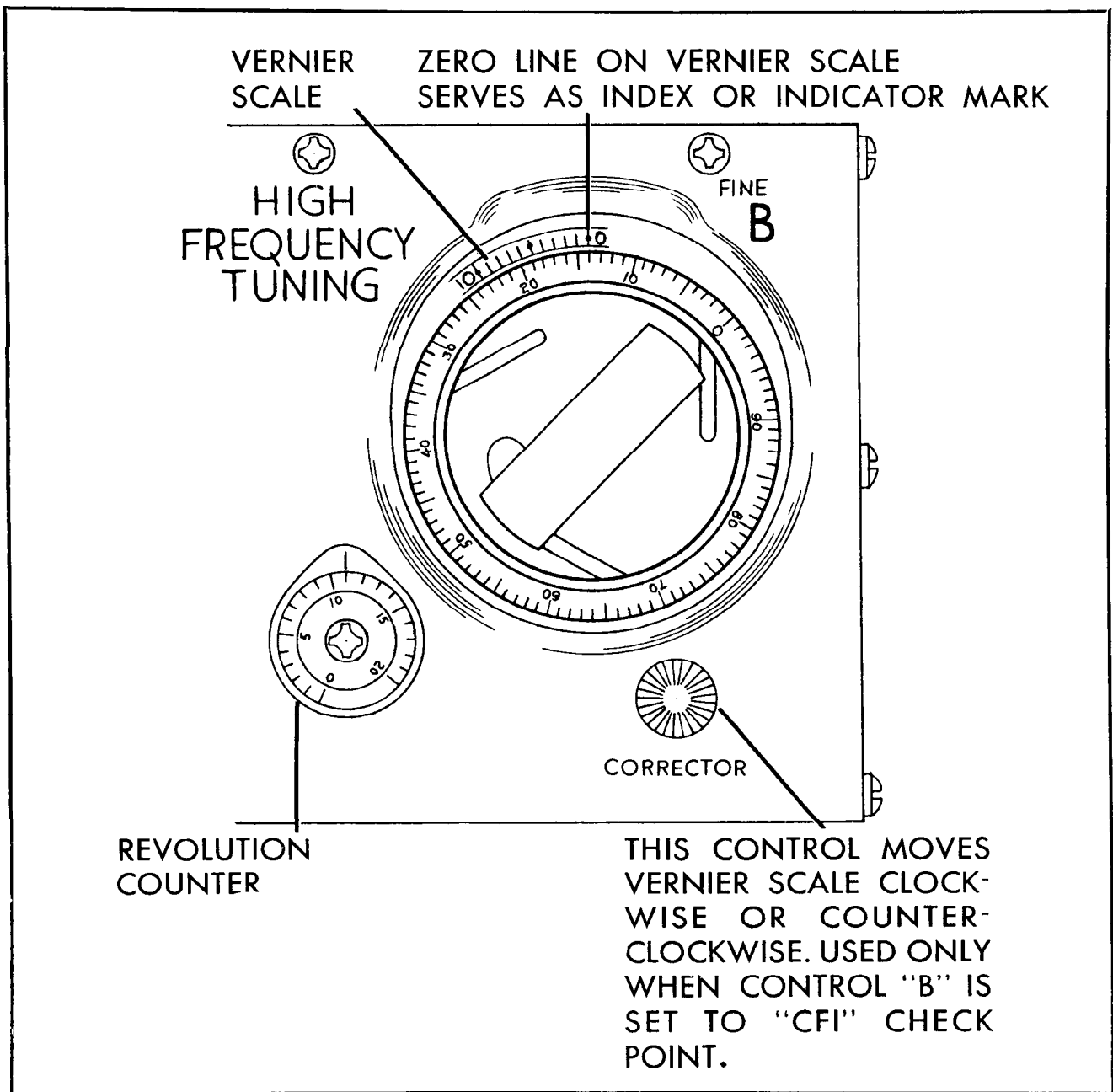


Figure 2-13—Illustration Showing Setting of Control "B" to 1114.1 Per Example in the Text

AN 16-30ART13-3

(4) The transmitter can be set to frequencies between those given in the table by the following method:

(a) Find the two frequencies located on either side of the desired frequency.

(b) Find the difference between the dial settings of control "B" or "G" for these two frequencies.

(c) Multiply this difference by the decimal of a kilocycle in the desired frequency.

(d) Add this product to the dial setting for the lower frequency in subparagraph (a) above.

EXAMPLE

It is desired to transmit on 3411.5 kilocycles.

	FREQ.	A	B	
	3410	3	1114.1	
Desired Frequency } 3411.5	3411	3	1116.6	Difference Between Dial Settings is 2.4
	3412	3	1119.0	
	3413	3	1121.5	

SETTING FOR DESIRED FREQUENCY IS OBTAINED THUS:

Difference in dial setting	2.4		
			Multiply
Decimal in the desired frequency	x 5		
		Product	1.20
Dial setting for lower frequency	1116.60		Add
Dial setting for desired freq.	1117.80		

b. PROCEDURES FOR SETTING THE CONTROLS (FOR MANUAL OR AUTOTUNE OPERATION.)

(1) GENERAL.—Following are the procedures for setting up the transmitter for manual or autotune operation. If manual operation is desired it is only necessary to set "CHANNEL" switch on "MANUAL" position and follow these instructions, except the locking bars should not be moved. Manual operation will not interfere with any of the channels set up for autotune operation if the locking bars are not loosened nor will setting up any channel in accordance with the following procedure interfere with any other channel previously set up. Channeling the autotune with the locking bars loose will completely eliminate the setting previously set up for the channel that was cycled and may cause settings for some or all of the other channels to shift.

(2) CW OPERATION INTO FIXED ANTENNA—VARIABLE FREQUENCY OSCILLATOR (VFO)—(2,000 to 18,100 Kilocycles).—The following procedure is to be used for setting up the transmitter for autotune operation on a desired frequency on any of the 10 high frequency channels.

(a) Place the antenna selector switch on the antenna loading unit on "FIXED ANT." position.

("FIXED" position when using Antenna Switching Unit SA-22/ART-13.) When no low frequency equipment is supplied in the installation, Switch SA-13/U is used.

(b) Make certain that the microphone, key, and throttle switch ("T.S.") jack circuits are open.

(c) Place "LOCAL-REMOTE" switch in "LOCAL" position and "VFO/XTAL" switch in "VFO" position.

(d) Place "EMISSION" switch in "VOICE" position.

(e) Check primary voltage by moving the meter switch to "BATTERY VOLTAGE" position. Usable primary voltage is indicated when the meter needle is within the light colored area under "BATTERY." A primary voltage of 28 volts will cause the meter needle to read at the top edge of this colored area. A primary voltage of 24 volts will cause the meter needle to read the lower edge of this colored area.

(f) Place "CHANNEL" switch in the position corresponding to the channel it is desired to set up. (If manual operation is desired, place "CHANNEL" switch in "MANUAL" position.) If the autotune system begins to run, allow it to complete the cycle of operation before proceeding. The red pilot light on the front of the transmitter will light when the autotune cycle is completed, and the transmitter will be ready for tuning adjustments or operation.

(g) Unlock all five controls by holding the dial and turning the locking bar ¼ turn in a counterclockwise direction. (If manual operation is being used, the locking bars should not be loosened.)

(h) Set control "C" on position 1. Check the position of the control against the indicator mark on the transmitter panel. The setting of this control is critical. The transmitter will not operate if control "C" is not set properly.

(i) Find the desired frequency in the calibration table and note the nearest crystal check point marked in heavy black type.

(j) Set control "A" to the position corresponding to the number in column A at this crystal check point. Check the position of the control against the indicator mark on the transmitter panel. The setting of this control is critical. The transmitter will not operate if control "A" is not set properly.

(k) Set control "B" to the position corresponding to the number in column B at this crystal check point.

(l) Set the power level switch to "CALIBRATE" position and listen in the sidetone circuit for a beat note while rotating control "B" back and forth about the position given for the crystal check point. Set con-

SECTION II
Paragraph 7

AN 16-30ART13-3

trol "B" on the position which gives zero beat and turn the power level switch to "TUNE" position.

(m) Set the vernier scale or single index mark by means of the "CORRECTOR" knob near control "B" to the reading of control "B" found in column B at this crystal point.

(n) Refer to the calibration table and obtain the correct setting of control "B" for the desired operating frequency.

Note

Be sure to use the correct tables. For radio transmitters with the MCW-CFI 8Q-2 Unit installed use tables 5-1, 5-2, and 5-3; for radio transmitters with the MCW-CFI 8Q-1 Unit installed use tables 5-4, 5-5, and 5-6. (When the MCW-CFI 8Q-2 Unit is installed in the transmitter and Oscillator O-16/ART-13 is used, refer to par. 6A, section V for instructions for calibrating the oscillator.)

(o) Set control "B" to the reading obtained above.

(p) Lock control "A" by first noting its reading, rotating dial counterclockwise one-quarter turn, or against the stop if the stop is within one-quarter turn, and then rotating it clockwise to, but not past the reading on which it had been set. Hold the knob and turn the locking bar clockwise until it is tight with a firm but not heavy pressure. Repeat this procedure for control "B." Further pressure on either control in a clockwise direction should not cause the dial to move beyond the original setting. If it does, unlock and repeat the locking procedure, making certain the original dial settings are used. (If manual operation is being used, the locking bars should not be bothered.)

(q) Place "EMISSION" switch on "CW" position.

(r) Check the grid drive to the final amplifier by placing the meter switch on "P.A.GRID" position, closing "TEST" switch, and noting the reading on the meter. It should read in, or slightly above, the light colored area marked "P.A.GRID." If it does not, operation is not normal. Control "A" may not have been positioned accurately. Check the trouble before proceeding. See "Note" in subparagraph (bb) following.

(s) Place the meter switch on "P.A.PLATE" position.

(t) Place control "D" on zero.

(u) Hold "TEST" switch closed and rotate control "E" throughout its range, seeking a plate current dip indicating resonance of the circuit.

CAUTION

Do not move control "E" across the space between 100 and 200 or between 0 and 100 while "TEST" switch, microphone button, or key is closed. An internal switch will be damaged if this precaution is not followed.

(v) If no resonance dip is found, set control "C" on the next higher position and rotate control "E" again, seeking a dip in plate current.

(w) Repeat the instructions in subparagraph (v) above until the resonance dip is found or until control "C" is set on position 8 and resonance has not been found.

Note

If frequency of operation is below 3000 kilocycles see instructions in subparagraph (ff) following.

(x) If resonance was found on positions 1 to 7 inclusive on control "C", place the power level switch in "OPERATE" position.

(y) Load the power amplifier by increasing the reading on control "D" in steps, re-resonating with control "E" each time. When control "D" has been rotated throughout its range, set control "C" on the next higher position, control "D" on zero, and repeat. Continue this process until the resonance dip falls in the light colored area marked "CW" on the plate meter. Correct loading of the final amplifier tube, when a 28-volt primary voltage is used, is 100 on the plate meter. It may not be possible, in all cases to load the amplifier tube exactly to this value, but any value of loading which is in the light colored area marked "CW" will be satisfactory.

Note

If the resonance dip causes the plate current to fall to a very low value, control "C" may be set to the next higher position without moving control "D," always re-resonating with control "E" each time as before. Fine adjustment must still be made by means of control "D." On antennas more than 55 feet in length and on frequencies below 3000 kilocycles it may not be possible to load the final amplifier to the light area marked "CW" before control "E" reaches zero. If this happens, set control "E" on zero and resonate with control "D." This will give the best operation obtainable under these conditions.

(z) If resonance was not found before control "C" was set on position 8, leave control "C" on position 8, set control "E" on zero, and seek the resonance dip in plate current by rotating control "D" throughout the range of 0 to 100.

(aa) If resonance is not found, set control "C" on the next higher position, rotate control "D" again, seeking the resonance dip.

(bb) Repeat subparagraph (aa) above until resonance is found or until control "C" has been tried on position 13 without finding a resonance dip.

(cc) If the resonance dip was not found with control "C" on position 13, leave that control on position 13, place control "D" on 100, and seek the resonance dip with control "E."

(dd) When resonance is found, place the power level switch on "OPERATE" position.

(ee) Load the power amplifier by increasing the reading on control "E" in steps, re-resonating with control "D" each time until the resonance dip falls in the light colored area marked "CW" on the meter.

Note

On some types of antennas, and often with Control "C" on position 13, loading may decrease when control "E" is placed on a higher position. In that event, reverse the direction of movement of control "E".

(ff) After proper loading of the final amplifier tube has been found using any of the above procedures, lock control "C" by noting its reading, rotating the dial counterclockwise about one-quarter turn, and then rotating it clockwise to but not past the reading on which it had been set. Hold the knob and turn the locking bar clockwise, until tight, with a firm but not heavy pressure. Further pressure on the dial in a clockwise direction should not cause the dial to move beyond the original setting. If it does, unlock and repeat the locking procedure, making certain the original dial setting is used. Repeat this procedure with controls "D" and "E." (If manual operation is being used, the locking bars should not be bothered.)

(gg) Check tuning and locking by holding "TEST" switch closed while placing a small force on each dial in turn in the clockwise direction. If all dials are locked properly, no detuning will result. (Do not use this test when in "MANUAL" position.)

(hh) Repeat the above procedure for each high frequency autotune channel it is desired to set up on the transmitter.

Note

The "P.A.GRID" meter reading, with control "A" on position No. 7 is usually at the lower edge of the light colored area marked "CW." It is permissible for the grid meter reading for this particular setting (control "A" on No. 7) to be 50 on the meter scale and still be satisfactory. A lower meter reading is not satisfactory, and the transmitter should be replaced with a serviceable transmitter if resetting of control "A" does not correct the difficulty.

(ii) When operating in the 2000 to 3000 kilocycle range into a fixed antenna, care must be exercised to avoid operation on a harmonic of the desired frequency. This will be avoided in most cases by follow-

ing the outlined procedure for tuning adjustment into a fixed antenna. However, for frequencies between 2000 and 3000 kilocycles on antennas shorter than 50 feet, the antenna may be too short for the tuning elements in the transmitter to resonate at the fundamental frequency. Therefore, the first resonance indicated by the tuning adjustment procedure may be a harmonic of the desired frequency. To determine whether this is tuned, follow the tuning procedure outlined in subparagraph (jj) below.

(jj) For operation into short antennas (less than 50 feet) at frequencies between 2000 kilocycles and 3000 kilocycles it may be necessary to connect the antenna shunt capacitor to the "COND" post on the transmitter. This is accomplished by throwing the knife switch so the capacitor is connected to the transmitter. The following table may be used as a guide to determine whether or not use of the capacitor will be necessary and, if used, how many sections are required for various frequencies and lengths of antenna.

Length of Antenna (in feet)	Frequency Range (in kilocycles)	Antenna Shunt Capacitor number of Sections Necessary
60 to 65.....	2000 to 18100....	none
53 to 60.....	2000 to 2100....	one
53 to 60.....	2100 to 18100....	none
45 to 53.....	2000 to 2100....	two
45 to 53.....	2100 to 2200....	one
45 to 53.....	2200 to 18100....	none
36 to 45.....	2000 to 2100....	three
36 to 45.....	2100 to 2200....	two
36 to 45.....	2200 to 2400....	one
36 to 45.....	2400 to 18100....	none
27 to 36.....	2100 to 2200....	three
27 to 36.....	2200 to 2400....	two
27 to 36.....	2400 to 2700....	one
27 to 36.....	2700 to 18100....	none
20 to 27.....	2200 to 2400....	three
20 to 27.....	2400 to 2700....	two
20 to 27.....	2700 to 3000....	one
20 to 27.....	3000 to 18100....	none

To determine the length of the antenna, measure the total length of wire from the antenna terminal of the transmitter to the extreme end of the antenna (including the length of the lead inside the airplane.) If the antenna is a "T," disregard the length of wire in the shorter branch at the top of the "T," or, if the two branches are equal, include the length of only one of them. The tuning procedure for the transmitter, when using the shunt capacitor, is identical to the procedure without the shunt capacitor. *The use of the antenna*

SECTION II
Paragraph 7

AN 16-30ART13-3

shunt capacitor reduces the power output from the transmitter when used on frequencies higher than those which require its use. For this reason, it should not be used except when necessary and only on those channels which require it. This cannot be done if the transmitter is to be operated from a remote position, since no provisions have been made to automatically switch the shunt capacitor in or out. In this case the capacitor should be used only if it is desired to set a channel in the frequency range wherein the antenna cannot be resonated by the tuning elements in the transmitter itself, and it must be left in for all channels regardless of the reduction of power. Only the capacity necessary to tune the lowest frequency used should be connected. This can be done by connecting one, two, or three of the capacitors in parallel, according to the amount of capacity needed. Use the smallest number possible. To determine the lowest frequency that can be tuned with a given number of capacitors for a particular antenna, proceed as follows.

1. Connect the circuit it is desired to check; that is, either no capacitor connected, one section connected, two sections connected, or three sections connected.
2. Place "LOCATE REMOTE" switch to "LOCAL" position.
3. Place "EMISSION" switch on "VOICE" position.
4. Place "CHANNEL" switch on "MANUAL" position.
5. Place the meter switch on "P.A.PLATE" position.
6. When the autotune motor stops and the pilot light comes on, set control "A" on position 2 and control "B" on 2000.
7. Tune the load the power amplifier according to instructions contained in subparagraph 7b(2)(g) through (y).

8. Attempt to repeat the above tuning and loading procedure with each of the following combinations of settings in turn.

Control A	Control B
2.....	1500
2.....	1000
2.....	500
1.....	1500
1.....	1000
1.....	500
1.....	100

The setting of control "E" for each successive trial will be lower than for the preceding trial. If one of the above combinations of controls "A" and "B" cannot be tuned without going to a higher setting of control "C" than for the preceding combination, place

control "C" on position 1, control "D" on zero, and control "E" on zero. Then rotate control B toward a higher reading, while holding "TEST" switch closed, until the plate current shows a resonance dip. Turn the transmitter off and look up the frequency in the calibration table corresponding to the combination of controls "A" and "B" found by this process. This installation of the transmitter, with sections of the antenna shunt capacitor (if used), with this length of fixed antenna wire in this type of airplane, cannot be tuned to any frequency below that obtained by this process. It may appear that proper operation is obtained by continuing the tuning procedure to higher positions of control "C," but this results in operation on a harmonic of the desired frequency and will result in complete lack of communication.

(3) CW OPERATION INTO TRAILING ANTENNA—VARIABLE FREQUENCY OSCILLATOR (VFO)—(2,000 to 18,100 Kilocycles)

- (a) Set control "A" and "B" on the desired frequency by following instructions in paragraphs 7b(2)(b) through (i).
- (b) Connect the "ANT." post on the transmitter to ground with a lead as short as possible.
- (c) Place control "D" on zero.
- (d) Hold "TEST" switch closed and rotate control "E" throughout its range, seeking a plate current dip indicating resonance of the circuit.
- (e) If no resonance dip is found, set control "C" on the next higher position and rotate control "E" again, seeking a dip in plate current.
- (f) Repeat the instructions in paragraph (e) above until the resonance dip is found or until control "C" is set on position 8.
- (g) If resonance was not found before control "C" was set on position 8, leave control "C" on position 8, set control "E" on zero, and seek the resonance dip in plate current by rotating control "D" throughout the range of 0 to 100.
- (h) If resonance is not found, set control "C" on the next higher position, rotate control "D" again, seeking the resonance dip.
- (i) Repeat paragraph (b) above until resonance is found or until control "C" has been tried on position 13 without finding a resonance dip.
- (j) If the resonance dip was not found with control "C" on position 13, leave that control on position 13, place control "D" on 100, and seek the resonance dip with control "E." Do not attempt to load the transmitter.

Revised 27 August 1952

Note

The above procedure may be accomplished on the ground and controls "C," "D," and "E" locked in the positions found for each frequency on which trailing wire operation is desired. Then during flight, it will be necessary to channel the autotune into the channel on which it is desired to operate: unlock controls "C," "D," and "E" and continue with the procedure that follows. Be sure "EMISSION" switch is on "CW," power level switch in on "TUNE" and meter switch is on "P.A.PLATE."

(k) When resonance is obtained, release the "TEST" key and remove the connection between the "ANT." post and ground and make certain the proper wire is fastened to that post.

(l) Let out the trailing wire to a counter reading 10 higher than that shown in the following table of approximate antenna lengths for the desired frequency.

(m) Hold the "TEST" switch closed and reel the wire in while watching the plate current meter for a resonance dip.

(n) If no dip is found, let the wire out to a reading 20 higher than that indicated in the table and repeat the reeling-in procedure.

COUNTER READING

KC	1/4 Wave	3/4 Wave	5/4 Wave
2000.....	101		
3000... ..	61		
4000.....	46.....	150	
5000.....	38.....	118	
6000.....		90	
7000.....		70	
8000.....		60	
9000.....		48.....	93
10000.....		41.....	76
12000.....			55
14000.....			44
16000.....			37
18000.....			34

(o) When resonance is found, adjust the length of the wire to correspond to minimum plate current and set power level switch on "OPERATE" position.

(p) If resonance was found with control "C" on positions 1 to 7 inclusive, load the power amplifier by increasing the reading on control "D" in steps, re-resonating with control "E" each time. When control "D" has been rotated throughout its range, set control "C" on the next higher position, control "D" on zero, and repeat. Continue this process until the resonance dip falls in the light shaded area marked "CW" on the plate meter.

Revised 27 August 1952

Note

If the resonance dip causes the plate current to fall to a very low value, control "C" may be set to the next higher position without moving control "D," always re-resonating with control "E" each time as before. Fine adjustment must still be made by means of control "D."

(q) If resonance was found with control "C" on positions 8 to 13 inclusive, load the power amplifier by increasing the reading on control "E" in steps, re-resonating with control "D" each time until the resonance dip falls in the light colored area marked "CW" on the meter.

(r) Lock controls "C," "D," and "E." (If manual operation is being used, the locking bars should not be loosened.)

Note

This channel may be used on trailing wire again without unlocking the dials by cycling the autotune into the channel, placing the power level switch on "TUNE" position, adjusting the antenna length to the position corresponding to minimum plate current if frequency is below 10,000 kilocycles and to maximum antenna current if frequency is above 10,000 kilocycles and returning the power level switch to "OPERATE" position. Be sure to use the same number of quarter wave lengths as in tuning up.

(s) Trailing wire operation will increase the range of the equipment considerably in the frequency range 2000 to 6000 kilocycles, some in the frequency range 6000 to 10,000 kilocycles, but will not increase it appreciably for frequencies above 10,000 kilocycles.

(3A) CW OPERATION INTO FIXED OR TRAILING ANTENNA—CRYSTAL OSCILLATOR (2,000 to 18,000 Kilocycles)

(a) With the CDA-T in use, replacing the low frequency unit (either O-16/ART-13 or O-17/ART-13A), the transmitter installation and operation will remain basically the same as outlined in paragraphs 7 a and 7 b of Section II. The few differences are as follows:

1. The "VFO/XTAL" switch on the CDA-T unit must be turned to "XTAL".
2. The "A-B" switch on the CDA-T must be operated to obtain a choice of two crystals on each of the 10 high frequency channels.
3. Meter readings will be lower than for VFO operation, but not excessively lower. The "P.A.GRID" setting should never go below "40".
4. When setting up the Autotone system, crystals must be chosen whose proper harmonic will fit into

the frequency range specified on "A" dial for each channel.

5. When using remote control, only 10 frequencies are available (depending on the setting of the "A-B" switch at the transmitter) unless the remote control unit has been modified to include an "A-B" switch.

6. While the calibration charts are not so essential as when operating with VFO, the setting of dial "B" will affect the proper frequency setting, even with crystal operation; and it is important that this "B" setting be accurate.

(4) CW OPERATION INTO FIXED OR TRAILING ANTENNA—VARIABLE FREQUENCY OSCILLATOR (200 to 1500 Kilocycles).

The following procedure is to be used for setting up the transmitter; for autotune or manual operation on a desired frequency in the low frequency channel.

(a) Place the antenna selector switch on the antenna loading unit (on Antenna Switching Unit SA-22/ART-13, when used) in the position which selects the desired antenna.

(b) Make certain that the microphone, key and throttle switch ("T.S.") jack circuits are open.

(c) Place "LOCAL-REMOTE" switch in "LOCAL" position.

(d) Place "EMISSION" switch in "VOICE" position.

(e) Place "CHANNEL" switch in "L. FREQ." position and wait until the autotune stops.

(f) Unlock controls "A" and "C." Place control "A" on position 13 and control "C" on position 8, and lock them in place. (If manual operation is being used, place control "A" on position 13 and control "C" on position 8 without unlocking them.)

Note

If the low frequency autotune mechanism should fail, it is only necessary to switch to "MANUAL" and set control "A" to position 13 and control "C" to position 8, since low frequency operation is only a switching procedure. It is possible to set the low frequency position on any of the 11 channels. It is only necessary to lock control "A" on position 13 and control "C" on position 8, on the channel it is desired to use as a substitute for the "L. FREQ." position.

(g) Find the desired frequency in the calibration table and note the nearest crystal point marked in heavy black type.

(h) Set control "F" to the position corresponding to the number in column F at the crystal check point.

(i) Unlock control "G" by turning the lock knob counterclockwise until loose. Then set control "G" to the position corresponding to the number in column G at the crystal check point.

(j) Set the power level switch to "CALIBRATE" position and listen in the sidetone circuit for a beat note while rotating control "G" back and forth about the position given for the crystal check point. Set control "G" on the position that gives zero beat and turn the power level switch to "TUNE" position.

(k) Set the movable indicating mark by means of the "CORRECTOR" knob near control "G" to the reading of the control "G" found in the column G at the crystal check point.

(l) Refer to the calibration table and obtain the correct setting of control "G" for the desired operating frequency and set control "G" to that reading. Lock the dial.

(m) Place "EMISSION" switch on "CW" position.

(n) Check the grid drive to the final amplifier by placing the meter switch on "P.A.GRID" position, closing "TEST" switch, and noting the reading on the meter. It should read in, or slightly above, the light colored area marked "P.A.GRID" on the meter. If it does not, check the positions of controls "A" and "C."

(o) Place the meter switch on "P.A.GRID" position.

IMPORTANT

Continue with steps (p) through (y) below when using Antenna Loading Unit CU-32/ART-13A. Continue with steps (z) through

(hh) following when using Antenna Loading Coil CU-25/ART-13 (Antenna Loading Coil CU-26/ART-13) and Antenna Switching Unit SA-22/ART-13.

(p) Place control "P" on the Antenna Loading Unit on position 1.

(q) Place control "Q" on position 1.

(r) Unlock control "R" and place it on zero.

(s) Hold "TEST" switch closed and rotate "R" throughout its range, seeking a plate current dip indicating resonance of the circuit.

(t) If no resonance was found, place control "Q" on the next higher position, hold "TEST" switch closed, and rotate control "R" again, seeking the dip in plate current.

(u) Repeat paragraph (t) above until resonance is found or until control "Q" has been tried on all its positions.

(v) If no resonance was found in subparagraph (u) above, set control "P" on the next higher position, control "Q" on position 1 and repeat subparagraphs (s) (t) and (u) above.

(w) Repeat subparagraph (v) above until resonance is found.

(x) When resonance is found, lock control "R" in the position giving minimum plate current.

(y) This completes the tuning procedure when using Antenna Loading Unit CU-32/ART-13A as there is no provision for exact loading of the transmitter in the frequency range 200 to 600 kilocycles. The plate current may read anywhere between 10 and 120 for normal operation.

Note

For operation in the 200 to 600 kilocycle range, use Antenna Loading Coil CU-25/ART-13 with controls "K" and "L"; in the 600 to 1500 kilocycle range, use Antenna Loading Coil CU-26/ART-13 with controls "H" and "J."

(z) Place control "K" (or "H" as applicable) on position 1.

(aa) Turn the "LOCK" knob counterclockwise until loose on control "L" (or "J" as applicable).

(bb) Place the "EMISSION" selector switch on "CW" position.

(cc) Hold the "TEST" switch closed and rotate control "L" (or "J") throughout its range, seeking a plate current dip indicating resonance of the circuit. Be sure meter circuit selector switch is in "P.A. PLATE" position.

(dd) If no resonance was found, place control "K" (or "H") on the next higher position, hold the "TEST" switch closed, and rotate control "L" (or "J") again, seeking the dip in plate current.

(ee) Repeat paragraph (dd) above until resonance is found.

(ff) Adjust control "L" (or "J") to the position giving minimum plate current.

(gg) Place the "CALIBRATE-TUNE-OPERATE" switch in the "OPERATE" position.

(hb) This completes the tuning procedure, as there is no provision in the frequency range 200 to 1500 kilocycles for exact loading of the transmitter to the light colored area marked "CW" on the plate meter. The plate current may read anywhere from 10 to 110.

Note:

If the low-frequency autotune mechanism should fail, it is only necessary to switch to "MANUAL" and set control "A" to position 13 and control "C" to position 8. Since the low frequency operation is only a switching procedure, it is possible to set the low frequency position on any of the 11 channels. It is only necessary to lock control "A" on position 13 and control "C" on position 8 on the channel it is desired to use as a substitute for the "L. FREQ." position.

(ii) Note that the tuning reactance present in Antenna Loading Coil CU-25/ART-13 (200-600 kc) may not be sufficient to resonate all fixed wire antennas down to 200 kc. It will resonate a 200-foot trailing wire antenna over the frequency range of 200-600 kc. The tuning reactance present in Antenna Loading Coil CU-26/ART-13 may not be sufficient to resonate all fixed wire antennas down to 500 kc. It will resonate a 200-foot trailing wire antenna over the frequency range of 600-1100 kc and a 150-foot trailing wire antenna over the frequency range of 1100-1500 kc.

(jj) Be careful to avoid operation on a harmonic of the desired frequency. In the type of tuning network used, the antenna is a part of the plate tuning circuit. Therefore, if the antenna is too short, it will not be possible to tune the lower end of the frequency range. To determine the lowest frequency that it is possible to tune, proceed as follows:

1. Set the "EMISSION" switch to "VOICE," the "CHANNEL" switch to "L. FREQ.," the meter selector switch to "P.A. PLATE," and the antenna changeover switch to the "FIXED" position.

2. Set control "K" to position 1 and control "L" to zero.

3. Make certain that control "A" stops on position 13 and control "C" on position 8. If not, set and lock the autotune in those positions.

4. Set control "F" on position 1 and control "G" on zero.

5. Set the power level switch to "TUNE."

6. Close the "TEST" switch and rotate control "G" toward a higher reading, watching for a resonance dip in plate current.

7. If the resonance dip is not found before control "G" is rotated to its extreme position, set control "F" on position 2, control "G" to zero, and repeat closing the "TEST" switch and rotating control "G" towards a higher reading again.

8. Set control "G" on the position that corresponds to the minimum plate current as found by the above method and release the "TEST" switch.

9. Determine the frequency indicated by the readings on control "F" and "G". Installation of this length and type of fixed antenna cannot be tuned to any frequency below that obtained by this process. It may appear that proper operation is obtained by continuing the tuning procedure to higher positions of control "K," but this results in operation on a harmonic of the desired frequency and will cause complete lack of communication. This same procedure may be used for the smaller load coil by substituting control "H" for "K" and control "J" for "L."

(4A) CW OPERATION INTO FIXED OR TRAILING ANTENNA—CRYSTAL OSCILLATOR (300 to 500 Kilocycles).

(a) With the CDA-T in use, replacing the low frequency unit (either O-16/ART-13 or O-17/ART-13A), the transmitter loading operations will remain primarily the same as outlined in paragraphs 7 a and 7 b of Section II. The differences are as follows:

1. The "VFO/XTAL" Switch on the CDA-T Unit must be thrown to "XTAL".

2. Through either manual or autotune operation, the transmitter "A" dial must be set on position 13, and the "C" dial on position 8. (Dial "B" has no function when using any of the low frequency units).

3. The 4-position switch (S-803), on the CDA-T Unit must be rotated to select the desired frequency of the four crystal-controlled frequencies available. This change in low frequency is possible only at the transmitter, and remote control must accept the frequency for which this switch is set.

4. Calibration charts are not required when using the CDA-T low frequency oscillator, as its output is directly coupled to the transmitter power amplifier tube.

5. Meter readings for low frequency crystal operation, as with high frequency crystal operation, will be lower than for VFO operation.

(5) VOICE OPERATION.

(a) Adjust the transmitter for CW operation and place "EMISSION" switch on "VOICE" position. No further tuning adjustments are necessary.

(b) Be sure the microphone selector switch under the tuning chart on the front panel of the transmitter is in the position corresponding to the type of microphone being used.

(c) Press the button on the microphone or in its cord and hold it depressed while speaking. Release it to listen.

Note:

When the meter switch is in "P.A. PLATE" position, the meter indicates the sum of the power amplifier and modulator plate currents and will, therefore, read slightly higher on "VOICE" than on "CW." With normal modulation the plate current meter will read in the red area above the portion marked "CW" and may hit the meter peg with heavy modulation during normal operation.

(6) MCW OPERATION.

(a) Adjust the transmitter for CW operation and place "EMISSION" switch on "MCW" position. No further adjustments are necessary.

(b) Key the transmitter for normal operation.

Note:

The normal meter reading on "MCW" when the meter switch is in "P.A. PLATE" position, key down, will be in, or slightly above, the light colored area marked "MCW."

(7) ADJUSTMENT OF SIDETONE LEVEL.

(a) Lift the chart on the front panel of the transmitter.

(b) Listen in the headphones while holding the "TEST" switch closed and adjust the "OUTPUT" control for proper volume of signal. Check the volume on each type of emission; "MCW," "CW," and "VOICE."

(8) USE OF TRANSMITTER CHART

After the transmitter has been set on the desired channels, enter the readings of controls "A", "B", "C", "D" and "E" on the chart on the transmitter. Make these entries after the autotune has been channeled into each channel set up, and after the operation has been checked. Show the "A", "B" and "VFO" frequencies set up on each high frequency channel. If VFO is used, set the vernier scale or single index mark for control "B" with the zero line of the vernier directly above the dial, and record the reading of the dial with the vernier scale in that position. This will enable the operator to check the settings even after the movable vernier scale has been adjusted to set up another channel. If the shunt capacitor is necessary on any of the frequencies set up, write the number of sections required, following the number of the channel. The four low operating frequencies are likewise entered on the chart. Record the settings of controls "P", "Q" and "R" on the Antenna Loading Unit CU-32/ART-13A, or "K" and "L" on Antenna Loading Coil CU-25/ART-13, and indicate whether for fixed or trailing antenna. To minimize tuning in the air, leave controls "P", "Q" and "R" on the positions for fixed antenna operation and record the positions for trailing antenna on the chart, or reverse the order if desired.

(9) PREPARATION FOR OPERATION.—The transmitter uses tubes which require at least 30 seconds to warm up before operation. If conditions permit, have the transmitter in readiness for operation

by leaving the "EMISSION" switch in "VOICE" position during the entire flight. This is a "standby" condition and eliminates the 30 second delay waiting for the tubes to warm up.

c. SIMPLIFIED PROCEDURES FOR SETTING THE CONTROLS.

(1) GENERAL.—The following procedures are for setting the controls using the approximate dial settings following the calibration tables.

(2) SIMPLIFIED CW OPERATION INTO FIXED ANTENNA (2000 to 18,100 kilocycles).

(a) Follow instructions in paragraphs 7b(2) (a) through (c).

(b) Set the control "C," "D," and "E" to the positions indicated in the table of approximate dial settings for the desired frequency. Be sure to use the column under the correct length of antenna. (Table 5-7 in this manual.)

(c) If control "C" is on position 7 or below.

1. Hold "TEST" switch closed and adjust control "E" to the position at resonance indicated by the dip in plate current.

2. Place the power level switch on "OPERATE" position.

3. If the plate current meter reading is above the area marked "CW" move control "D" a few divisions lower and readjust control "E" for minimum plate current. Repeat until the plate current reading is in the area marked "CW." If the plate current meter reading is below the area marked "CW" move control "D" a few divisions higher and readjust control "E" for minimum plate current. Repeat until the plate current reading is in the area marked "CW." Do not leave the control on any position other than that at the resonance dip. Lock control "C," "D," and "E."

(d) If control "C" is on position 8 or above.

1. Hold "TEST" switch closed and adjust control "D" to the position at resonance indicated by the dip in plate current.

2. Place the power level switch on "OPERATE" position.

3. If the plate current meter reading is above the area marked "CW," move control "E" a few divisions lower and readjust the control "D" for minimum plate current. Repeat until the plate current reading is in the area marked "CW." If the plate current meter reading is below the area marked "CW," move control "E" a few divisions higher and readjust control "D" for minimum plate current. Repeat until the plate current reading is in the area marked "CW." Do not leave the controls on any position other than at the resonance dip. Lock control "C," "D" and "E."

(3) SIMPLIFIED CW OPERATION INTO FIXED OR TRAILING ANTENNA (200 to 600 kilocycles) WHEN USING ANTENNA LOADING UNIT CU-32/ART-13A.

(a) Follow instructions in paragraph 7 (4) (a) through (c).

(b) Set controls "P" and "Q" on the positions indicated in the table of approximate dial settings for the frequency below the desired frequency. Be sure to use the column under the correct length of antenna.

(c) Follow the instructions in the regular procedure starting with paragraph 7b(4)(s).

d. PROCEDURES FOR SETTING THE CONTROLS OF RADIO TRANSMITTING SET AN/ART-13B (MANUAL OR AUTOTUNE OPERATION).

(1) GENERAL.—Radio Transmitting Set AN/ART-13B employs both variable frequency oscillator (VFO) operation and crystal-controlled (XTAL) operation. When operated as a VFO transmitter, utilizing Oscillator O-17/ART-13A, procedures for setting all controls are exactly as outlined for Radio Transmitting Set AN/ART-13A in paragraph *b.* of this section. For VFO operation on the high frequency range, with the CDA-T Oscillator in use, the transmitter controls are set as outlined for the AN/ART-13A, with the addition of one operation; that is the setting of the "VFO-XTAL" switch, on the CDA-T panel, to "VFO".

Crystal-controlled operation is obtainable only with use of the CDA-T Oscillator unit, and its "VFO-XTAL" switch turned to "XTAL". "MANUAL" operation is not possible with crystal-controlled operation. All transmitter and loading coil adjustments for crystal-controlled operation (excepting the frequency controls "A" and "B") are performed the same as described in paragraph *b.* of this section. Crystal-controlled frequency adjustment procedures are as follows.

(2) FREQUENCY ADJUSTMENTS—CRYSTAL CONTROLLED OPERATION.—Since manual control is inoperative with crystal-controlled operation, ten high frequency and one low frequency channels are available with autotune selection. Through use of an "A-B" switch on the CDA-T panel, two frequencies are available on each of the ten high frequency "CHANNEL" switch positions. A 4-position switch, also on the CDA-T panel, permits selection of four low frequencies with the "CHANNEL" switch in the "L.—FREQ." position.

(3) HIGH FREQUENCY RANGE.—Utilizing the "A-B" switch, two frequency channels are available on each of the autotune "CHANNEL" switch positions, 1 through 10. Selection of frequencies with the 1670 to 18,000 kc range are limited only by the available crystals and the individual range of each setting of the transmitters "A" control. "CHANNEL" switch positions of the autotune mechanism are not restricted

to any particular setting of the "A" control and several frequency outputs within a narrow frequency range are possible, providing crystals are available for each channel desired. The crystal frequency used, however, must be suitable for the frequency range of the chosen "A" control setting.

Note

For frequencies from 1,670 kc through 2,000 kc, place the "EXTENDED-NORMAL" switch in "EXTENDED" position. For frequencies from 2,000 kc through 18,000 kc, place the "EXTENDED-NORMAL" switch in "NORMAL" position.

(a) Place the antenna selector switch on the antenna loading unit on "FIXED ANT." position. Make certain that the microphone, key and throttle switch (T.S.) jack circuits are open.

(b) Place "LOCAL-REMOTE" switch in "LOCAL" position, the "VFO-XTAL" switch in "XTAL" position and the "A-B" switch in the "A" position. Turn the "EMISSION" switch to "VOICE".

(c) Check crystals for proper seating and frequency. Channel the autotune to position 1. When cycling has stopped, check the frequency range of the control "A" setting, to be sure it is suitable for the crystal employed. If not suitable, change either the crystal or retune control "A" to the proper frequency range setting. Lock this control. Unlock the other transmitter controls; set control "C" to position 1.

(d) Place "EMISSION" switch on "CW" position. Check the grid drive to the final amplifier by placing the meter switch on "P.A.GRID" position, closing the "TEST" switch, and noting the reading on the meter. If no reading, or a very low reading is observed, close the "TEST" switch, at the same time varying the "B" control setting. The grid drive indication will vary as the "B" control setting is changed. Adjust this setting for maximum grid drive reading.

(e) Set the remaining transmitter loading controls, as described in paragraph *b.* to obtain proper P.A. Plate dip indication, and maximum antenna current reading.

(f) Channel the autotune to channel 2, and when cycling starts, turn the "CHANNEL" switch back to position 1. Again check the grid drive and P.A. Plate readings, which should be approximately the same as previously obtained.

(g) Channel the autotune to each of the remaining nine high frequency channels and tune as outlined for channel 1.

(h) If two frequency outputs are desired for any one position of the "CHANNEL" switch, their frequencies should not be separated by more than 3%. The exact amount of separation possible will be determined by the output frequency and the antenna characteristics into which the transmitter operates. Adjust the setting

Section II
Paragraph 7

T.O. 12R2-2ART13-1

of control "B" as outlined with the "A-B" switch on "A". Record the setting of this control for maximum grid drive reading. Throw the "A-B" switch to "B" and determine the setting of control "B" for maximum grid drive indication. Finally, set control "B" midway between the two settings obtained with maximum grid drive for the "A" and "B" crystals. Repeat this procedure for all channel switch positions for which two crystals are in use.

(4) LOW FREQUENCY RANGE.—Utilizing the 4-position selector switch, located on the CDA-T panel, four low frequency outputs within the range of 300 to 500 kc are possible. It will be noted that only three low frequency crystal sockets are provided, requiring the use of a dual crystal holder in one socket. Due to the physical limitations of this holder, its two crystals must be within the range of 400 to 500 kc. Remote control of low frequency operation is possible, only on one frequency, as the 4-position switch must be operated manually and its setting will determine the frequency obtained by the remote control operator.

(a) Place the antenna selector switch on the antenna loading unit in the fixed antenna position. Make certain that the microphone, key and throttle switch (T.S.) jack circuits are open. Place "LOCAL-REMOTE" switch in "LOCAL" position, the "EMISSION" switch in "VOICE" position, the "VFO-XTAL" switch in "XTAL" position, and the 4-position low frequency selector switch in position 1.

(b) Place "CHANNEL" switch in "L.FREQ." position and wait until the autotune stops. Control

"A" should stop on position 13. If not in this position when cycling is complete, unlock control and set to 13. Set control "C" to position 8. (Control "B" is not required for low frequency crystal operation.)

(c) Place the meter switch on "P.A.GRID"; the "EMISSION" switch on "CW", and check for grid drive by closing the "TEST" switch and noting the meter reading. P.A.GRID meter readings will be lower than those obtained for the high frequency ranges.

(d) Adjust the variable choke, L-803, located at the top rear corner of the CDA-T unit, to obtain maximum grid drive indication.

(e) Turn the 4-position switch to the remaining three positions, and check for grid drive. Adjust the variable choke, as required, to obtain maximum grid drive reading for each switch position. This choke setting will vary slightly for each of the low frequency output frequencies, and should finally be set to obtain sufficient grid drive with all crystals employed.

(f) Set all other transmitter and loading coil adjustments as outlined in paragraph b. (4) (o) through (y) of this section, to obtain proper P.A. Plate dip indication and maximum antenna current reading. When more than one low frequency crystal is employed, optimum transmitter performance on any one frequency requires readjustment of the variable choke (for grid drive peaking) and the transmitter loading controls, with a resultant lowering of output at the remaining low frequency channels.

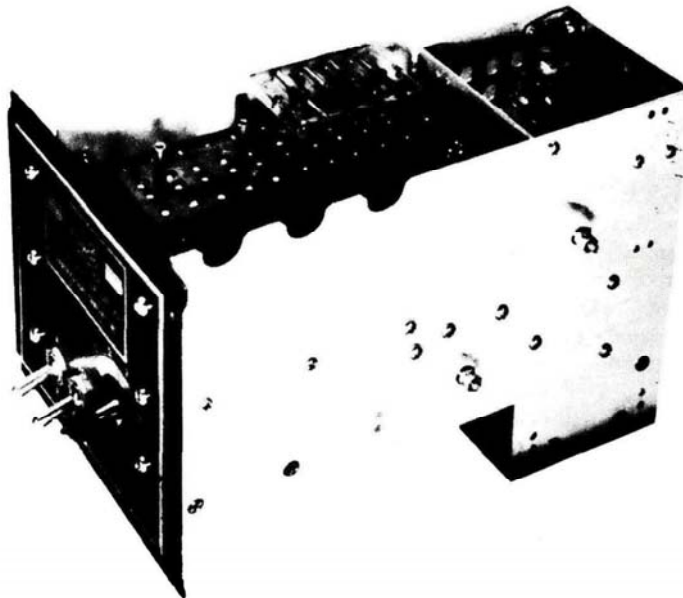


Figure 2-14—Crystal Controlled Oscillator Unit (CDA-T) — Front Side View

**SECTION III
OPERATION****CAUTION**

NO transmissions will be made on emergency (distress) HF Channels except for emergency purposes. For testing, demonstration or drill purposes, radio equipment will be operated into a non-radiating dummy load instead of an Antenna to prevent transmissions of false distress signals.

1. STARTING AND STOPPING.

a. TO START.—Turn "EMISSION" switch to "VOICE" position.

b. TO STOP.—Turn "EMISSION" switch to "OFF" position.

2. OPERATION DURING NORMAL USE.

a. Check "LOCAL-REMOTE" switch on the transmitter panel to make sure it is in the proper position according to whether operation is desired from the transmitter panel or from the remote control unit. If the CDA-T Crystal Oscillator is installed in the transmitter, check the "VFO/XTAL", "A-B" and 4-position low frequency switches to see that each is set according to the frequency and type of operation desired.

b. Place the emission switch on "VOICE" if the equipment is turned off or leave it on "VOICE," "CW," or "MCW" if equipment is already on and place "CHANNEL" switch on the position corresponding to the frequency on which transmission is desired. This may be found on the chart on the front panel of the transmitter. If there is a number (1, 2 or 3) after the channel number on the chart and in the same box with it, make sure that the number of sections of the shunt capacitor are connected and that Switch SA-46/ART-13A is closed.

c. When red pilot light comes on (it will take about 25 seconds for the autotune to seek the proper position), place the emission switch on the position corresponding to the type of emission desired; "VOICE," "CW" or "MCW." If operation is in the range 200 to 1500 kc, check to make sure that the proper frequency is set up on controls "F" and "G" and that the antenna circuit is in resonance before attempting operation.

d. Operate the transmitter with the microphone and its associated switch if "VOICE" operation is desired or with the key if "CW" or "MCW" is desired.

CAUTION

Under no circumstances should the transmitter be actually operating (key down or microphone switch closed) when the emission switch is being operated. Such operation, especially at high altitudes, can cause an arc to occur and damage the contacts of relays. Never leave the Autotune controls in any po-

sition other than against the stops in a clockwise direction. The mechanism always leaves them in the proper position and they should not be tampered with after cycling. Proper positioning may be checked by applying a firm but not heavy force to each control in a clockwise direction until the control strikes the stop.

3. DEFENSE AGAINST RADIO JAMMING.

a. GENERAL.—Jamming is the intentional generation by the enemy of radio signals designed to make friendly signals unreadable and to surprise and confuse the radio operators. The various types of jamming are described in section 5, paragraph 4.

b. PROCEDURE.—If bad interference is received and jamming is suspected, proceed as follows:

(1) Remove the antenna from the binding post of the receiver. If the noise level drops appreciably, the interference is coming from outside the receiver. If the noise does not diminish there is something wrong with the receiver.

(2) Tune the receiver several hundred kilocycles each side of the desired signal. If there is no change in intensity of the interference something close at hand is the cause. If the interference extends only over a short frequency band it is probably jamming.

(3) Report jamming immediately to the commanding officer.

(4) Use a crystal filter when available. Tune the receiver slowly back and forth across the desired signal to find the position where the signal is the clearest.

(5) Use a noise limiter when available. If no limiter is available turn the receiver gain up as high as it will go. To make this less hard on the ears put a handkerchief between the ears and headphones or just turn the headphones around so they are facing away from the ears.

(6) Change the BFO setting when working with CW. This will often put the message on one audio tone and the jamming on the other. With some types of jamming the signal can be heard better with the BFO cut off. Also try turning the gain control to a very low level.

(7) Change to an alternate frequency and call sign if the primary frequency is badly jammed. Tune up quickly and accurately using a dummy antenna if available. If not, tune up at reduced power.

(8) Generally CW is the most difficult to jam. Tone telegraph should also be tried. When using radiophone use the phonetic alphabet and speak each word twice.

(9) Beware of fake messages slipped into the jam-

ming by the enemy. In case of doubt authenticate. Don't allow the enemy to distract attention with conversation.

(10) Do not shut down. That is exactly what the enemy wants to happen and it would let him know that the jamming is effective. Practice, concentration, and persistence will enable an operator to work through jamming many times stronger than the desired signal.

SECTION IV EMERGENCY OPERATION AND REPAIR

1. EMERGENCY TROUBLE-SHOOTING (IN FLIGHT).

The information presented here is intended to assist the technically trained operator to rapidly locate a source of trouble and make emergency repairs to the equipment while in flight. Use of the following chart, showing symptoms, causes and emergency remedies, for troubles that are most frequent causes of transmitter failure, should simplify and expedite the location and correction of the fault. It should be noted that this

chart is intended for use only while in flight since it does not include information on troubles that require more involved repairs or parts replacement that cannot be accomplished in flight. Complete and detailed trouble-shooting may be accomplished, after the airplane has returned to its base, by using similar but more detailed trouble-shooting charts in section V of the maintenance handbook. See Figure 2-1 for tube placement.

<i>Symptoms</i>	<i>Probable Cause</i>	<i>Emergency Remedy</i>
1. Autotune does not run and tubes do not light.	1a. Open circuit breaker.	1a. Check circuit breakers in 28 volt supply lines to equipment.
	1b. Open overload relay on dynamotor unit.	1b. Press "TRANS. RESET" button on front of dynamotor unit.
2. Dynamotor does not start but Autotune runs and tubes light.	2a. Open overload relay on dynamotor.	2a. Press "DYNA.-RESET" button on front of dynamotor unit.
	2b. Interlock switch does not close.	2b. Short terminals of contact switch.
3. No R-F output on any frequency. Autotune runs, tubes light, and dynamotor starts.	3a. Control "C" is incorrectly set.	3a. Unlock the dial and rotate it back and forth through a small range while holding "TEST" switch closed. If R-F output is obtained, lock control near proper number so that transmitter will operate even if dial is not set exactly on the indicated position.
	3b. Blown fuse on dynamotor.	3b. Check fuse in holder labelled "400V." If blown, spare fuse is located in adjacent holder labelled "SPARE."
	3c. Vacuum switch failure (glass is cracked or arcing occurs inside the switch).	3c. Turn off equipment. Remove wire from the "ANT" post and connect it to the "COND." post. Add wire from "RECEIVER" post on transmitter to antenna (either fixed or trailing wire) that is not being used for transmission. Be sure trailing wire is reeled out. This operation may damage receiver if wire now connected to receiver antenna "A" post is not disconnected during the transmission period. It is recommended that this wire be disconnected during transmissions.

<i>Symptoms</i>	<i>Probable Cause</i>	<i>Emergency Remedy</i>
4. No R-f output on "L.FREQ." (200-600 kilocycles) range only. Other ranges are OK.	3d. Antenna Loading Unit failure. 3e. "CALIBRATE - TUNE - OPERATE" switch set incorrectly. 3f. Faulty tube. Tubes V-104, V-103, V-102, V-101, V-801, V-802 or V-2601 are most likely offenders.	3d. Connect "ANT" post on transmitter directly to antenna lead-in. This will provide high frequency operation only. 3e. Be sure this switch is set to "OPERATE" position. 3f. Check tubes by replacement. Instructions for removing and replacing tubes are given in paragraphs 2, following this chart.
5. No R-f output in 6 to 18 megacycles frequency range. Other ranges are OK.	4a. Control "A" not set correctly. 4b. Faulty tube in low frequency oscillator. 4c. Fault in Antenna Load Unit.	4a. Be sure control "AW" is set exactly to position 13 ("L.FREQ."). 4b. Check tube by replacement. 4c. Cannot be corrected in flight. Use high frequency channels only.
6. No R-f output in 2 to 6 megacycles frequency range.	5a. Faulty tube.	5a. Check tubes 813, V-102, and V-103 by replacement.
Equipment will not operate from Remote Control Unit.	6a. Faulty tube.	6a. Check tubes V-101 (or V-801), V-102 and V-103 by replacement.
8. Autotune will not operate. Equipment is OK otherwise.	7a. Failure of Remote Control Unit or cable.	7b. Place "LOCAL-REMOTE" switch on transmitter panel in "LOCAL" position and operate equipment from its panel.
8. Autotune will not operate. Equipment is OK otherwise.	8a. Defect in "CHANNEL" switch.	8a. Turn switch to "MANUAL." If autotune operates, allow it to complete the cycle and then set all controls manually to their correct settings. If autotune still does not run, set 8b.
9. Autotune operates but does not set all control knobs to their correct position.	8b. Defect in mechanism, and controls are "jammed."	8b. Loosen locking bars in all knobs and position each knob to correct setting.
9. Autotune operates but does not set all control knobs to their correct position.	9a. Faulty part in one or more of the autotune units.	9a. Try to turn the incorrectly set dial to correct position. If it will not turn, release the locking bar and then turn to correct setting.
10. No modulation on "MCW", but "VOICE" operation is OK.	10a. Faulty tube.	10a. Check tube V2203 by replacement (tube V-203 when MCW-CFI 8Q-1 unit is installed).
11. No modulation when "VOICE" operation is used.	11a. Faulty microphone plug or jack.	11a. Try connecting microphone to jack on remote control or transmitter panel.
11. No modulation when "VOICE" operation is used.	11b. Faulty tube.	11b. Check tubes V-201, V-202, V-203, V-105, and V-106 by replacement.
12. No sidetone but transmission is OK.	12a. Faulty tube.	12a. Check tube V-203 by replacement.
13. "BEAT NOTE" cannot be heard when crystal is attempting to calibrate.	13a. Defective CFI Unit.	13a. Replace crystal.
13. "BEAT NOTE" cannot be heard when crystal is attempting to calibrate.	13b. Faulty tube.	13b. Check tubes V-2201, V-2202, and V-2203, by replacement (tubes V-301, and V-302 when MCW-CFI 8Q-1 Unit is installed)

2. REPLACING TUBES.

a. Remove cover of transmitter by inserting coin or screwdriver in each hold-down screw and make a half turn counter-clockwise. Pry up cover.

WARNING

Be sure to turn off the entire equipment before replacing tubes. High voltage on caps at top of tubes is dangerous to life. Observe all safety precautions.

b. The position of each tube is shown in figure 2-1 in this handbook. All tubes with exception of V-2601 (low frequency oscillator) are visible and accessible when transmitter top cover is removed. Tube V-2601 can be reached by removing the cover of LFO unit (this unit is located directly behind control, "G" and has perforated cover).

c. Tube clamps are used on some tubes to prevent tube from coming out of socket when vibration occurs. To open clamp, insert screwdriver and gently pry open. (see sketch in fig. 2-1). Clamps on tubes V-105 and V-106 are accessible through rear cover plate. Clamps on tubes V-102 and V-103 can best be reached from the top of transmitter. Obtain access to clamp on tube V-101 through side cover plate.

d. To replace tube V-104, orient the base pin with the slot in the hole above the socket and then press down firmly until tube pins are solidly engaged in the socket.

3. REPLACING FUSE.

The only fuse used in this equipment is located on the dynamotor unit chassis. The holder containing the fuse is labelled "400V." To remove the fuse, unscrew the holder. A spare fuse is located in the adjacent holder labelled "SPARE."

4. REPLACING DYNAMOTOR BRUSHES.

Remove end covers from dynamotor to obtain access to brushes. Replace brushes that are worn down to 1/4" or less. When removing a brush that has been used, mark the upper side with the polarity and number (if applicable) that appears on the bracket near that brush so that it can be replaced in the same holder and in the same direction as before. New brushes may be installed in any holder with either side up, although it is preferable to place the brush code marking down so that the blank side of the brush will be used for marking when it is removed.

5. SUBSTITUTION OF TUBES WHEN REPLACEMENTS ARE NOT AVAILABLE.

The following tube substitutions can be made when a replacement tube of the correct type is not available.

a. LOW FREQUENCY OSCILLATOR

Replace with one of the Multiplier tubes. This will provide low frequency operation only.

b. ONE MULTIPLIER TUBE V-102 OR V-103.—Interchange with the low frequency oscillator tube. A tube with a good filament must be in the low frequency oscillator socket at all times. This will provide high frequency operation only.

c. TWO MULTIPLIER TUBES OR ONE MULTIPLIER TUBE AND THE LOW FREQUENCY OSCILLATOR TUBE.—Put the good tube in the first multiplier socket. Tubes with good filaments must be in the low frequency oscillator and the second multiplier sockets. This will provide operation in the frequency range 2000 to 6000 kilocycles.

d. SPEECH AMPLIFIER V-201.—Use "CW" operation. No sidetone signal will be available.

e. AUDIO DRIVER V-202.—Interchange it with the sidetone amplifier. There must be a tube with a good filament in the sidetone socket. This will provide normal operation with the exception of a sidetone signal.

f. MODULATOR V-105 OR V-106.—USE "CW" operation. The modulator tubes must have good filaments.

g. *DETECTOR AND MCW AUDIO OSCILLATOR V-2203.—Interchange it with the crystal oscillator tube. If there is a tube with a good filament in the crystal oscillator socket, all operation will be normal except the CFI will be inoperative. If the tube in the crystal oscillator socket does not have a good filament, only "VOICE" and "CW" operation are possible.

e.* ANY COMBINATION INCLUDING ALL OF CRYSTAL OSCILLATOR V-2201, MIXER V-2202, DETECTOR AND MCW AUDIO OSCILLATOR V-2203, SIDETONE AMPLIFIER V-203.—There must be a good tube with a good filament in the sidetone amplifier socket. "VOICE" and "CW" operation are available.

f.* ANY COMBINATION, INCLUDING ALL OF CRYSTAL OSCILLATOR V-2201, MIXER V-2202, DETECTOR AND MCW AUDIO OSCILLATOR V-2203, SPEECH AMPLIFIER V-201, DRIVER V-202, SIDETONE AMPLIFIER V-203, MODULATORS V-105 AND V-106.—There must be tubes with good filaments in the modulator sockets. "CW" operation is available.

j. HIGH FREQUENCY OSCILLATOR V-101.—Interchange with the low frequency oscillator. The tube in the low frequency oscillator socket must have a good filament. It may be necessary to reset the frequency of operation since this interchange will cause the oscillator to shift from the original frequency. The tube must be replaced with the proper type as soon as possible. This interchange will provide high frequency operation only.

*These steps can be performed only when MCW-CFI 8Q-2 Unit is installed in transmitter.

6. REGULAR INSPECTIONS.

a. **PREFLIGHT INSPECTION.**—The radio transmitting equipment shall be given a rapid visual and operating inspection in accordance with the following:

(1) Inspect antenna for proper security and tension.

(2) Make a visual check for proper security of all set components.

(3) Turn on the liaison receiver.

(4) Place "EMISSION" switch on "VOICE" with "LOCAL-REMOTE" switch on "LOCAL" and antenna selector switch on "FIXED ANT." ("FIXED" when Antenna Switching Unit SA-22/ART-13 is used).

(5) Make sure the microphone selector switch is in the position corresponding to the type of microphone to be used.

(6) Be sure the meter switch is on "P.A.PLATE" and the power level switch is on "OPERATE."

(7) Place "CHANNEL" switch on a position corresponding to one of the frequencies to be used on the mission.

(8) When the cycle is completed, check the settings of controls "A," "B," "C," "D," and "E" against readings on the transmitter chart with the zero line of the vernier scale on control "B" previously set so that it is directly above the dial.

(9) Place "EMISSION" switch on "CW" and close "TEST" switch. The plate current should read in the area marked "CW."

(10) Place the meter switch on "P.A.GRID." The meter should read in the area marked "P.A.GRID." Release the "TEST" switch and place the meter switch on "P.A.PLATE."

(11) Place "EMISSION" switch on "MCW."

(12) Listen in the sidetone circuit and close the telegraph key. The receiver hiss should stop and the sidetone signal should be heard. The plate current should be in or near the area marked "MCW." Release "TEST" switch.

(13) Place "EMISSION" switch on "VOICE." Press the microphone button. The plate current should read about 20 or 30 higher than on "CW." Speak or whistle into the microphone. The plate current should read near the area marked "MCW" and may read full scale on loud signals.

(14) Check the control settings against the chart, the "P.A.GRID" and "P.A.PLATE" current on "CW" for each of the other channels it is desired to use on the mission. Connect the proper number of sections of the shunt capacitor for the channels requiring them as indicated on the chart. See section II, sub-paragraph 7b(8).

(15) If the transmitter is crystal controlled (equipped with a CDA-T Unit), switch to "XTAL" operation and check out one channel in the high frequency range as outlined in items (4) through (13) above. With the channel switch on low frequency, follow this same procedure to check out any of the 4 switch positions on the CDA-T Unit.

b. **DAILY INSPECTION.**—The radio transmitting equipment shall be given a thorough visual and operating inspection in accordance with the following:

(1) Inspect Antenna for proper security and tension. Check condition of shock links and antenna wire, cleaning if dirty and replacing if defective. Clean insulators and replace if cracked or chipped.

(2) Inspect the inter-unit connections for broken or damaged wires or cables and for high voltage wires that may be bent too near other objects.

(3) Check the knurled knobs on the front of the transmitter and dynamotor unit, the microphone selector switch under the chart, and all connector plug locking rings for tiewire.

(4) Check the connection to the receiver, antenna, ground, loading unit, and transmitter making certain the spring connector terminals are making good with the wires.

(5) Check all set components for security of mounting.

(6) Turn on the liaison receiver.

(7) Place "EMISSION" switch on "VOICE" with "LOCAL-REMOTE" switch on "LOCAL" and antenna selector switch on "FIXED ANT." ("FIXED" when using Antenna Switching Unit SA-22/ART-13).

(8) Be sure the meter switch is on "P.A.PLATE" the power level switch is on "OPERATE."

(9) Place "CHANNEL" switch on a position corresponding to one of the frequencies that is set up on the autotune.

(10) When the cycle is completed, check the settings of controls "A," "B," "C," "D," and "E" against readings on the transmitter chart with the zero line of the vernier scale on control "B" previously set so that it is directly above the dial.

(11) Place "EMISSION" switch on "CW" and close "TEST" switch. The plate current should read in the area marked "CW."

NOTE

If the meter does not indicate a "P.A.PLATE" meter reading with the "CW" portion of the scale, some adjustment of the output loading may be necessary. Before attempting to readjust the output circuit for proper loading, check the battery voltage by rotating the meter switch to the "BATTERY VOLTAGE" position. Read the meter with the key depressed. If the meter reads within the light colored area under "BATTERY," the channel needs readjusting. If the meter reads above or below the colored area, the "P.A.PLATE" current may read above or below the area marked "CW" and the transmitter still be adjusted properly. No adjustment of the output controls should be attempted if the supply voltage does not read within the proper limits shown by the meter on the transmitter.

(12) Place the meter switch on "P.A.GRID." The meter should read in the area marked "P.A.GRID."

SECTION IV
Paragraph 6

AN 16-30ART13-3

Release the "TEST" switch and place the meter switch on "P.A.PLATE."

(13) Place "EMISSION" switch on "MCW."

(14) Listen in the sidetone circuit and close "TEST" switch. The receiver hiss should stop and the sidetone signal should be heard. The plate current should be in or near the area marked "MCW." Release "TEST" switch.

(15) Place "EMISSION" switch on "VOICE." Press the microphone button. The plate current should read about 20 or 30 higher than on "CW." Speak or whistle into the microphone. The plate current should read near the area marked "MCW" and may bear full scale on loud signals.

(16) Check the control settings against the chart, the "P.A.GRID" and "P.A.PLATE" current on "CW" for each of the other channels set up. Connect the proper number of sections of the shunt capacitor for the channels requiring them as indicated on the chart. See section II, paragraph 7b(8).

(17) Check operation of the autotune on each of the channels not set up by cycling the autotune into each in turn and making sure the controls turn properly.

(18) If remote operation is provided in the installation, check operation of the autotune from it by cycling each channel in turn and checking the setting of controls against the transmitter chart for each channel set up and that the controls turn properly on all other channels. Check the key on "CW", and proper operation on "MCW" and "VOICE" from the remote control unit on one channel.

(19) Set "CHANNEL" switch on "L.FREQ." and let the autotune cycle.

(20) Make sure that control "A" stops on 13 and control "E" on 8. If they do not, lock them in those positions.

(21) If the antenna loading unit is supposed to be adjusted for operation into the fixed antenna on the frequency set up on the low frequency oscillator (see sec. II, par 7b(8)), unlock control "R" on the loading unit, close "TEST" switch, adjust control "R" to minimum plate current and release "TEST" switch. Lock control "R" in that position.

(22) Cycle the transmitter into one of the frequencies set up in the high frequency range. Tune the receiver for "CW" operation on that frequency. Set "NORMAL-MONITOR" switch on "MONITOR" position and turn the power level switch on the transmitter to "CALIBRATE" position. It should be possible to hear a beat note and to tune the beat note to zero by rotating the receiver dial. Return the power level switch to "OPERATE" and the "NORMAL-MONITOR" switch to "NORMAL" position.

(23) Place "CHANNEL" switch on "MANUAL"

and let the autotune cycle. All controls should move freely. Set control "C" on position 1, control "A" on 2, control "B" on 1910. Set power level switch on "CALIBRATE" position and listen in the sidetone circuit. A beat note should be heard and it should be possible to tune it to zero by rotating control "B." Replace the power level switch on "OPERATE" position.

(24) Return "CHANNEL" switch to the position it was on originally and let the autotune cycle.

(25) If the transmitter is equipped with a CDA-T Crystal Oscillator Unit, switch to "XTAL" operation and follow the procedure as outlined in paragraph 6. b. (1) through (23). When checking the low frequency operation, dial "A" must be in position "13", and the 4-position switch on the CDA-T Unit must be rotated to obtain the four low frequencies. When checking the high frequencies, the "A-B" switch must be operated to obtain the 20 crystal frequencies.

(26) Turn the transmitter and the receiver off.

c. 100-HOUR INSPECTION.—The radio transmitting equipment shall be given a thorough and searching visual and operating inspection and a thorough cleaning in accordance with the following:

(1) Remove the transmitter from its mounting by cutting the tie wire on the locking knobs on the front and on the plug locking rings on the left end, removing the plugs and wires from the sockets and terminals on the left end, loosening the knurled locking knobs on the front of the transmitter, and sliding the transmitter forward off its mounting.

(2) Remove the cover and clean out all dust and dirt, particularly around isolantite bushings, stand-off, feed-through insulators, etc. Inspect for loose ends of wire, corrosion or other obvious defects.

(3) Inspect all relay contacts.

(4) Inspect in accordance with section II, paragraph 2a(1).

(5) Remove the dynamotor unit from its mounting by cutting the tie wire on the locking knobs and the plug locking rings on the front, removing the plugs from the front, loosening the knurled locking knobs and sliding the unit forward off its mounting.

(6) Remove the end covers and clean the interior of the machine.

(7) Remove and inspect the brushes. Replace those less than one-quarter inch long (see par. 4, this section). Be sure to mark the top of each brush removed with the polarity and number (if applicable) that appears on the end bracket near the respective brushes. When replacing brushes, be sure to put them back in the same holder and the same side up as removed.

AN 08-30 ART 13-3

(8) Inspect the commutators and smooth them with 00 sandpaper if they are rough.

(9) Replace the end covers and inspect in accordance with section II, par. 2a(2), and, in addition, inspect all relay contacts for pits and burns and all parts for corrosion. Clean the interior.

(10) Remove the antenna loading unit by cutting the tiewire on the four snapslides and the plus locking ring, removing the plugs and the wires to the terminals, loosening the snapslides, and lifting the unit out.

(11) Inspect in accordance with section II, par. 2a(5), and, in addition, clean the interior and inspect for corrosion.

(12) If the antenna shunt capacitor is a part of the installation, check it in accordance with section II, par. 2a(4) without removing it from the plane.

(13) If the remote control unit is a part of the installation, remove it by cutting the tiewire on the plug locking ring, removing the plug, and loosening the four screws in the corners of the unit.

(14) Inspect in accordance with section II, par. 2a(3), and, in addition, clean and inspect for corrosion.

(15) Reinstall all units in accordance with instructions given in section II, par. 3.

(16) Check in accordance with the Daily Inspection procedure outlined in pars. 6b(1) through (25) of this section.

7. REPLACEMENTS OF DEFECTIVE ITEMS. (See paragraphs 2, 3 and 4 this section.)

Try to localize trouble by replacing MCW-CFI unit, audio amplifier unit, or low frequency oscillator. If proper operation is obtained by replacing any of the

above units, leave the good one in the transmitter and send the defective one for repair.

a. To remove the MCW-CFI unit, proceed as follows:

(1) Loosen the two screws of contrasting color, one at each end of the unit.

(2) Lift the unit out.

b. To remove the audio amplifier unit, proceed as follows:

(1) Loosen the two screws of contrasting color, one at each end of the unit.

(2) Unlock and remove the master oscillator tube (JAN-837).

(3) Lift the unit high enough to disengage the plug pins, then move it backward to clear the screw heads on the ends, and lift it out.

c. To remove the low frequency oscillator, proceed as follows:

(1) Remove the JAN-813 tube by removing the plate cap, inserting a small screwdriver under the tube base through one of the ventilating holes in the back, and exerting a light pressure upward while wiggling the tube gently from side to side. The tube lifts straight out: do not twist it.

(2) Remove the lead on the right side of the oscillator where it enters the unit.

(3) Remove the two screws from the back of the oscillator through the space left by removal of the JAN-813 tube.

(4) Remove the seven screws from around the edges of the oscillator's front panel and loosen the adjacent screws across the top of the autotune cover.

(5) Lift the oscillator straight up.

**SECTION V
SUPPLEMENTARY DATA**

1. TUBE COMPLEMENT.

a. For Radio Transmitter With Oscillator 0-17/ART-13A and MCW-CFI 8Q-2 Unit Installed.

Reference Symbol	Stock No.	Type Designation		Function
		JAN—	VT—	
V-101	2J837 or 2V101	JAN-837	VT-101	High Frequency Oscillator
V-102	2J1625 or 2V136	JAN-1625	VT-136	1st Frequency Multiplier
V-103	2J1625 or 2V136	JAN-1625	VT-136	2nd Frequency Multiplier
V-104	2J813 or 2V144	JAN-813	VT-144	Power Amplifier
V-105	2J811 or 2V217	JAN-811	VT-217	Modulator

SECTION V
Paragraph 1

AN 16-30ART13-3

Reference Symbol	Stock No.	Type Designation		Function
		JAN—	VT—	
V-106	2J811 or 2V217	JAN-811	VT-217	Modulator
V-201	2J12SJ7 or 2V162	JAN-12SJ7	VT-162	1st Audio Amplifier
V-202	2V6V6GT or 2V107-A	JAN-6V6GT	VT-107-A	Audio Driver
V-203	2V6V6GT or 2V107-A	JAN-6V6GT	VT-107-A	Sidetone Amplifier
V-2201	2J12SL7GT	*JAN-12SL7GT		1st Section is 200 kc. calibration oscillator. 2nd Section is Frequency Tripler
V-2202	2J12SA7 or 2V-161	*JAN-12SA7	VT-161	Detector
V-2203	2J12SL7GT	*JAN-12SL7GT		1st Section is Signal Detector. 2nd Section is MCW Audio Oscillator.
V-2601	2J1625 or 2V136	JAN-1625	VT-136	Low Frequency Oscillator.

*Types JAN-12SL7GT and JAN-12SL7 may be used interchangeably. Types JAN-12SA7 and JAN-12SA7GT may be used interchangeably.

b. For Radio Transmitter With Oscillator 0-16/ART-13 and MCW-CFI 8Q-1 Unit Installed.

V-101	2J837 or 2V101	JAN-837	VT-101	High Frequency Oscillator
V-102	2J1625 or 2V136	JAN-1625	VT-136	1st Frequency Multiplier
V-103	2J1625 or 2V136	JAN-1625	VT-136	2nd Frequency Multiplier
V-104	2J813 or 2V144	JAN-813	VT-144	Power Amplifier
V-105	2J811 or 2V127	JAN-811	VT-217	Modulator
V-106	2J811 or 2V217	JAN-811	VT-217	Modulator
V-201	2J12SJ7 or 2V162	JAN-12SJ7	VT-162	1st Audio Amplifier
V-202	2J6V6GT or 2V107-A	JAN-6V6GT	VT-107-A	Audio Driver
V-203	2J6V6GT or 2V107-A	JAN-6V6GT	VT-107-A	Sidetone Amplifier
V-301	2J12SJ7 or 2V162	JAN-12SJ7	VT-162	Calibration Oscillator
V-302	2J12SJ7 or 2V162	JAN-12SJ7	VT-162	MCW Oscillator
V-401	2J1625 or 2V136	JAN-1625	VT-136	Low Frequency Oscillator

c. For Radio Transmitter with Oscillator CDA-T and MCW-CFI 8Q-2 Unit Installed.

Reference Symbol	Stock No.	Type Designation		Function
		JAN—	VT—	
V-101	2J837 or 2V101	JAN-837	VT-101	High Frequency Oscillator
V-102	2J1625 or 2V136	JAN-1625	VT-136	1st Frequency Multiplier
V-103	2J1625 or 2V136	JAN-1625	VT-136	2nd Frequency Multiplier
V-104	2J813 or 2V144	JAN-813	VT-144	Power Amplifier

V-105	2J811 or 2V217	JAN-811	VT-217	Modulator
V-106	2J811 or 2V217	JAN-811	VT-217	Modulator
V-201	2J12SJ7 or 2V162	JAN-12SJ7	VT-162	1st Audio Amplifier
V-202	2V6V6GT or 2V107-A	JAN-6V6GT	VT-107-A	Audio Driver
V-203	2V6V6GT or 2V107-A	JAN-6V6GT	VT-107-A	Sidetone Amplifier
V-2201	2J12SL7GT	*JAN-12SL7GT		1st Section is 200 kc. calibration oscillator. 2nd Section is Frequency Tripler.
V-2202	2J12SA7 or 2V161	*JAN-12SA7	VT-161	Detector
V-2203	2J12SL7GT	*JAN-12SL7GT		1st Section is Signal Detector. 2nd Section is MCW Audio Oscillator.
V-801	2J6AQ5	JAN-6AQ5		Low Frequency Oscillator
V-802	2J1625 or 2V136	JAN-1625	VT-136	High Frequency Oscillator

*Types JAN-12SL7GT and JAN-12SL7 may be used interchangeably. Types JAN-12SA7 and JAN-12SA7GT may be used interchangeably.

2. FUSE COMPLEMENT.

Type No.	Stock No.	Current Rating	Location	
			Active Fuse	Spare Fuse
Aircraft type	8800-337360	1 amp.	Dynamotor "400V"	Dynamotor "SPARE"

3. PILOT LAMP COMPLEMENT.

Type Designation	Stock No.	Location
General Elec. #313		Inside Transmitter
General Elec. #313		Inside Control Box

4. RADIO JAMMING.

Types of jamming likely to be employed by the enemy are:

a. "Spark" jamming is the familiar type of noise obtained from small electric motors, razors, ignition system, etc.

b. "Sweep-through" jamming is the result of sweeping a carrier back and forth across a frequency band at a relatively rapid rate (100 to 600 cycles per second.) The resulting noise is much like that of an airplane engine.

c. "Stepped tone" is a monotonous repetition of three to five audio tones which resembles the Scotch bagpipe. The Germans use this regularly.

d. "Noise jamming sounds the same as noise which is heard when the gain is turned up on a radio receiver that is not tuned to a signal. It may easily be mistaken for receiver noise.

e. Combinations of any of the above types of jamming can be used.

5. PROCEDURE FOR SETTING RECEIVER BC-348 ON A PRE-SELECTED FREQUENCY USING RADIO TRANSMITTER T-47/ART-13 OR T-47A/ART-13 AS A FREQUENCY METER.

a. GENERAL.—The following procedure is to be used for setting the liaison receiver on a pre-selected frequency when it is desired to set the receiver with greater accuracy than the calibration of the receiver provides.

b. PROCEDURE.

(1) Place "LOCAL-REMOTE" switch in "LOCAL" position.

(2) Place "EMISSION" switch in "VOICE" position.

(3) Place "CHANNEL" switch in "MANUAL" position and let the autotune complete its cycle.

(4) Set control "C" on position 1.

(5) Find the desired frequency in the calibration table for the transmitter and note the nearest crystal check point marked in heavy black type.

(6) Set controls "A" and "B" to the position indicated by the table for the crystal check point.

(7) Set the power level switch to "CALIBRATE" positions and listen in the sidetone circuit for a beat note while rotating control "B" back and forth about the position for the crystal check point. Set control "B" on the position that gives zero beat and turn the power level switch to "TUNE" position.

(8) Set the movable indicator mark by means of the "CORRECTOR" knob near control "B" to the reading of control "B" found in column B at this crystal check point.

(9) Refer to the calibration table and obtain the correct setting of control "B" for the frequency it is desired to set on the receiver and set control "B" to that reading.

(10) Turn the receiver on and set the "NORMAL-MONITOR" switch in the airplane to "MONITOR" position.

(11) Set the "C.W. OSC." switch on the receiver in the "ON" position.

(12) Set the "BAND SWITCH" and "TUNING" control on the receiver to the positions corresponding to the frequency it is desired to set up according to the calibration of the receiver.

(13) Set the "BEAT FREQ" control so that the arrow points straight up.

(14) Place the power level switch on the transmitter to "CALIBRATE" position.

(15) Listen in the sidetone for a beat note and adjust the "TUNING" dial on the receiver to the position corresponding to zero beat.

(16) Turn the level switch on the transmitter back to "OPERATE" position and the "NORMAL MONITOR" switch back to "NORMAL."

(17) Turn the "CHANNEL" switch on the transmitter to the position corresponding to the frequency desired for transmission.

The equipment is now ready for operation. Type of emission may be chosen on the transmitter with the "EMISSION" switch. The receiver may be used for any type of reception and any dial on the receiver may be used except the "BAND SWITCH" and the "TUNING" dial without disturbing the frequency set up.

6. CALIBRATION TABLES 5-1, 5-2, 5-3, 5-4, 5-5, and 5-6.

The calibration tables numbered 5-1, 5-2 and 5-3 are for the MCW-CFI-8Q-2 Unit. The first column, headed "FREQ." is the frequency column, the other columns are headed with the letter identifying the control. Tables 5-4, 5-5 and 5-6 are for the MCW-CFI 8Q-1 Unit. The figures in heavy black type are crystal check points.

In tables 5-1 and 5-2 horizontal lines appear at intervals in the columns which serve to indicate the direction of the nearest check point. In these tables always use the check point which appears between the same horizontal dividing lines that the desired frequency appears between. In tables 5-3, 5-4, 5-5, and 5-6 use the first check point (heavy type) that is encountered by either looking back to succeeding lower frequencies or by looking ahead to succeeding higher frequencies. The note at the bottom of each table will aid in locating the proper check point.

6A. CALIBRATION INSTRUCTIONS FOR OSCILLATOR O-16/ART-13 (WHEN MCW-CFI 8Q-2 UNIT IS USED.)

If the low-frequency oscillator circuit components have been damaged or replaced, the grid circuit may require realignment. To realign the circuit, perform the following after installing a low-frequency oscillator in the transmitter:

a. Turn control "F" to position "6" (1035 kc to 1500 kc).

b. Rotate "CHANNEL" selector switch S108 to the "LOW FREQ." position.

c. Turn "EMISSION" selector switch S110 to the "VOICE" position.

d. When the auto tune cycle has been completed, check the position of control "A." The control should

stop in position "13." If the control stops in any position other than "13," loosen the locking bar and manually operate control "A" to position "13."

e. Refer to table 5-3, section V and select a dial setting under column G that is near the middle of the tuning range. If there is a dial setting listed on each side of the midpoint of the tuning range, select the dial setting on the high-frequency side. For example, 1073 in column G is very near the midpoint of the tuning range of the control. (The exact midpoint is 1000.)

f. Rotate control "G" to the dial setting that has been chosen from the calibration table.

g. Operate power level switch S106 to the "CALIBRATE" position. (This applies 1150 volts d-c to the plates of V104, V105, and V106.)

h. Insert an earphone cord plug into "SIDE-TONE" output jack J104.

i. While listening to the sidetone amplifier output, rotate control "G" about the setting obtained from the calibration table until exact zero beat is obtained between the output of the low-frequency oscillator and the output of the calibration oscillator.

j. Check the dial setting and lock the dial.

k. Loosen the two setscrews that hold the knob to the shaft of control "G" and, without detuning the circuit, rotate the knob on the shaft until the dial setting corresponds to the setting given in the calibration table. Then tighten the setscrews.

l. Rotate control "G" to the home stop position near zero. Loosen the two setscrews on the counter dial mechanism collar attached to the main oscillator shaft and, holding the mechanism at zero, rotate control "G" to zero. Tighten the setscrews.

m. Turn control "F" to position "5."

n. As explained in steps *e.* and *f.*, select a dial setting from table 5-3 near the middle of the tuning range.

o. Note the numbered slots on the oscillator shield cover exposing trimming capacitor C-411.

p. While listening to the sidetone output, adjust capacitor section E(5) of C411 with any narrow tool until zero beat is obtained between the low-fre-

quency oscillator output and the output of the calibration oscillator.

q. Turn control "F" to position "4" and repeat steps *n.* and *p.*, adjusting section D(4) of C411 instead of section E.

r. Repeat steps *n.* and *p.*, adjusting capacitor trimmer sections C(3), B(2), and A(1) for control "F" positions "3," "2," and "1" respectively.

s. Check the excitation over the entire range of each position of control "F" by rotating control "G" through 20 revolutions for each position of control "F" while watching the "P.A. GRID" meter reading.

7. TABLES OF APPROXIMATE CONTROL SETTINGS (FOR ANTENNA TUNING AND LOADING).

a. These tables (refer to table 5-7) show approximate dial settings for the various frequencies and for various lengths of antennas. The tables are repeated to show settings for the case using the antenna shunt capacitor. The spaces marked with three dots in column D are left blank because of the setting of that control cannot be determined beforehand. All settings are approximate and the procedure outlined for section II, paragraph 7 must be followed to obtain the exact settings.

b. To determine which table to use, measure the length of the antenna, taking the total length of wire from the antenna terminal of the transmitter to the extreme end of the antenna. If the antenna is a "T", disregard the length of wire in the shorter branch, or, if the two branches are equal, include the length of only one of them. To check the choice of table, tune up the set on one of the frequencies given in the table for the antenna length nearest that measured above. Choose a frequency which tunes on position 7 on control C. Compare the actual settings given in this table and also in the tables for the next shorter and the next longer antenna lengths. Of these three tables the one showing control settings closest to the actual control settings is the table to use for this particular installation. Record the type of airplane and a brief description of the antenna in the three lines above that table to identify it so that that table may be readily recognized as the correct one for future use on any frequency.

c. The antenna cannot be tuned at any frequencies below those shown in the tables for the various lengths of antenna.

TABLE 5-1

**CALIBRATION OF OSCILLATOR 0-17/ART-13A
WHEN MCW-CFI 8Q-2 UNIT IS USED**

■

200 Kc to 600 Kc

**TABLE 5-1. CALIBRATION OF OSCILLATOR
O-17/ART-13A WHEN MCW-CFI 8Q-2 UNIT IS USED**

Frequency: 200-300 Kc

Freq.	A	F	G	Freq.	A	F	G	Freq.	A	F	G
200	13	1	189.2	234	13	1	890.2	269	13	1	1604.0
201	13	1	212.0	235	13	1	910.6				
202	13	1	234.8	236	13	1	931.0	270	13	1	1624.5
203	13	1	256.8	237	13	1	951.3	271	13	1	1645.6
204	13	1	278.0	238	13	1	971.7	272	13	1	1666.0
205	13	1	299.8	239	13	1	992.0	273	13	1	1686.5
206	13	1	321.3					274	13	1	1707.2
207	13	1	342.8	240	13	1	1012.4	275	13	1	1728.8
208	13	1	363.6	241	13	1	1032.8	276	13	1	1750.0
209	13	1	384.3	242	13	1	1053.3	277	13	1	1771.0
				243	13	1	1073.7	278	13	1	1792.0
210	13	1	405.0	244	13	1	1094.2	279	13	1	1814.0
211	13	1	425.3	245	13	1	1114.6				
212	13	1	445.6	246	13	1	1135.0	280	13	1	1836.0
213	13	1	466.5	247	13	1	1155.5	281	13	1	1858.0
214	13	1	486.7	248	13	1	1175.9	282	13	1	1880.0
215	13	1	508.1	249	13	1	1196.4	283	13	1	1902.2
216	13	1	527.5					284	13	1	1925.2
217	13	1	548.0	250	13	1	1216.8	285	13	1	1948.5
218	13	1	568.0	251	13	1	1237.1				
219	13	1	588.C	252	13	1	1257.4	285	13	2	118.8
				253	13	1	1277.8	286	13	2	135.7
220	13	1	608.0	254	13	1	1298.1	287	13	2	152.2
221	13	1	628.1	255	13	1	1318.4	288	13	2	168.2
222	13	1	648.2	256	13	1	1338.7	289	13	2	184.2
223	13	1	668.2	257	13	1	1359.0				
224	13	1	688.3	258	13	1	1379.4	290	13	2	200.2
225	13	1	708.4	259	13	1	1399.7	291	13	2	215.5
226	13	1	728.5	260	13	1	1420.0	292	13	2	231.C
227	13	1	748.6	261	13	1	1440.0	293	13	2	246.8
228	13	1	768.6	262	13	1	1460.9	294	13	2	261.8
229	13	1	788.7	263	13	1	1481.4	295	13	2	276.5
				264	13	1	1501.8	296	13	2	291.4
230	13	1	808.8	265	13	1	1522.2	297	13	2	306.5
231	13	1	829.2	266	13	1	1542.7	298	13	2	321.5
232	13	1	849.6	267	13	1	1563.1	299	13	2	336.2
233	13	1	869.9	268	13	1	1583.6				
								300	13	2	350.8

Use nearest check point shown in heavy type

Frequency: 400-500 Kc

Freq.	A	F	G	Freq.	A	F	G	Freq.	A	F	G
400	13	2	1764.8	433	13	3	320.4	468	13	3	662.6
401	13	2	1779.0	434	13	3	330.4	469	13	3	672.2
402	13	2	1793.7	435	13	3	340.6				
403	13	2	1809.0	436	13	3	350.8	470	13	3	681.8
404	13	2	1824.0	437	13	3	360.8	471	13	3	691.4
405	13	2	1839.4	438	13	3	370.6	472	13	3	701.0
406	13	2	1854.4	439	13	3	380.4	473	13	3	710.5
407	13	2	1869.4					474	13	3	720.1
408	13	2	1885.0	440	13	3	390.4	475	13	3	729.7
409	13	2	1900.2	441	13	3	400.3	476	13	3	739.3
				442	13	3	410.1	477	13	3	748.9
410	13	2	1916.2	443	13	3	420.0	478	13	3	758.4
411	13	2	1932.2	444	13	3	429.8	479	13	3	768.0
412	13	2	1948.2	445	13	3	439.7				
413	13	2	1964.4	446	13	3	449.6	480	13	3	777.6
414	13	2	1980.3	447	13	3	459.4	481	13	3	787.3
415	13	2	1997.0	448	13	3	469.3	482	13	3	796.9
				449	13	3	479.1	483	13	3	806.6
415	13	3	127.2					484	13	3	816.2
416	13	3	138.6	450	13	3	489.0	485	13	3	825.9
417	13	3	150.2	451	13	3	498.7	486	13	3	835.6
418	13	3	161.3	452	13	3	508.4	487	13	3	845.2
419	13	3	172.2	453	13	3	518.0	488	13	3	854.9
				454	13	3	527.7	489	13	3	864.5
420	13	3	183.0	455	13	3	537.4				
421	13	3	193.8	456	13	3	547.1	490	13	3	874.2
422	13	3	205.0	457	13	3	556.8	491	13	3	884.0
423	13	3	215.6	458	13	3	566.4	492	13	3	893.7
424	13	3	226.6	459	13	3	576.1	493	13	3	903.5
425	13	3	237.2	460	13	3	585.8	494	13	3	913.2
426	13	3	247.7	461	13	3	595.4	495	13	3	923.3
427	13	3	258.2	462	13	3	605.0	496	13	3	932.8
428	13	3	268.4	463	13	3	614.6	497	13	3	942.5
429	13	3	277.7	464	13	3	624.2	498	13	3	952.3
				465	13	3	633.8	499	13	3	962.0
430	13	3	289.2	466	13	3	643.4				
431	13	3	299.6	467	13	3	653.0	500	13	3	971.8
432	13	3	310.2								

Use nearest check point shown in heavy type

Frequency: 300-400 Kc

Freq.	A	F	G	Freq.	A	F	G	Freq.	A	F	G
300	13	2	350.8	334	13	2	829.0	368	13	2	1309.2
301	13	2	365.7	335	13	2	843.0	369	13	2	1323.3
302	13	2	379.4	336	13	2	857.0				
303	13	2	394.5	337	13	2	871.0	370	13	2	1337.5
304	13	2	408.7	338	13	2	885.0	371	13	2	1351.5
305	13	2	423.5	339	13	2	899.0	372	13	2	1365.6
306	13	2	438.7					373	13	2	1379.6
307	13	2	452.0	340	13	2	913.0	374	13	2	1393.6
308	13	2	466.0	341	13	2	927.2	375	13	2	1407.6
309	13	2	480.0	342	13	2	941.4	376	13	2	1421.7
				343	13	2	955.6	377	13	2	1435.7
310	13	2	494.0	344	13	2	969.8	378	13	2	1449.7
311	13	2	509.2	345	13	2	984.0	379	13	2	1463.7
312	13	2	522.4	346	13	2	998.2				
313	13	2	536.6	347	13	2	1012.4	380	13	2	1477.8
314	13	2	550.6	348	13	2	1026.6	381	13	2	1492.0
315	13	2	564.4	349	13	2	1040.8	382	13	2	1506.2
316	13	2	578.4					383	13	2	1520.3
317	13	2	592.2	350	13	2	1055.0	384	13	2	1534.5
318	13	2	606.2	351	13	2	1069.1	385	13	2	1548.7
319	13	2	620.2	352	13	2	1083.2	386	13	2	1562.9
				353	13	2	1097.3	387	13	2	1577.1
320	13	2	634.2	354	13	2	1111.4	388	13	2	1591.2
321	13	2	648.1	355	13	2	1125.5	389	13	2	1605.4
322	13	2	662.0	356	13	2	1139.6				
323	13	2	675.8	357	13	2	1153.7	390	13	2	1619.6
324	13	2	689.7	358	13	2	1167.8	391	13	2	1634.1
325	13	2	703.6	359	13	2	1181.9	392	13	2	1648.6
326	13	2	717.5					393	13	2	1663.2
327	13										

TABLE 5-2

**CALIBRATION OF RADIO TRANSMITTER T-47A/ART-13 OR T-47/ART-13
WHEN MCW-CFI 8Q-2 UNIT IS USED.**

2,000 Kc to 18,100 Kc

**TABLE 5-2. CALIBRATION OF RADIO TRANSMITTER
T-47A/ART-13 OR T-47/ART-13 WHEN MCW-CFI 8Q-2 UNIT IS
USED**

Frequency: 2000-2100 Kc

Freq.	A	B	Freq.	A	B	Freq.	A	B
2000	1	100.1	2034	1	225.4	2068	1	350.8
2001	1	103.8	2035	1	229.1	2069	1	354.5
2002	1	107.5	2036	1	232.7			
2003	1	111.2	2037	1	236.4	2070	1	358.1
2004	1	114.9	2038	1	240.1	2071	1	361.8
2005	1	118.6	2039	1	243.8	2072	1	365.5
2006	1	122.3				2073	1	369.2
2007	1	126.0	2040	1	247.4	2074	1	372.9
2008	1	129.7	2041	1	251.1	2075	1	376.6
2009	1	133.4	2042	1	254.8	2076	1	380.3
			2043	1	258.5	2077	1	384.0
2010	1	137.1	2044	1	262.2	2078	1	387.7
2011	1	140.8	2045	1	265.9	2079	1	391.4
2012	1	144.5	2046	1	269.6			
2013	1	148.2	2047	1	273.2	2080	1	395.1
2014	1	151.9	2048	1	276.9	2081	1	398.8
2015	1	155.6	2049	1	280.6	2082	1	402.5
2016	1	159.2				2083	1	406.2
2017	1	162.9	2050	1	284.3	2084	1	410.0
2018	1	166.6	2051	1	288.0	2085	1	413.7
2019	1	170.3	2052	1	291.7	2086	1	417.4
			2053	1	295.4	2087	1	421.2
2020	1	174.0	2054	1	299.1	2088	1	424.9
2021	1	177.7	2055	1	302.8	2089	1	428.6
2022	1	181.3	2056	1	306.5			
2023	1	185.0	2057	1	310.2	2090	1	432.3
2024	1	188.7	2058	1	313.9	2091	1	436.1
2025	1	192.3	2059	1	317.5	2092	1	439.8
2026	1	196.0				2093	1	443.5
2027	1	199.7	2060	1	321.2	2094	1	447.2
2028	1	203.4	2061	1	324.9	2095	1	451.0
2029	1	207.0	2062	1	328.6	2096	1	454.7
			2063	1	332.3	2097	1	458.4
2030	1	210.7	2064	1	336.0	2098	1	462.1
2031	1	214.4	2065	1	339.7	2099	1	465.9
2032	1	218.0	2066	1	343.4			
2033	1	221.7	2067	1	347.1	2100	1	469.6

Use check point at 2000 or 2100 Kc, whichever is nearer

Frequency: 2200-2300 Kc

Freq.	A	B	Freq.	A	B	Freq.	A	B
2200	1	843.0	2234	1	969.1	2268	1	1094.6
2201	1	846.7	2235	1	972.8	2269	1	1098.2
2202	1	850.4	2236	1	976.5			
2203	1	854.1	2237	1	980.2	2270	1	1101.9
2204	1	857.8	2238	1	983.9	2271	1	1105.6
2205	1	861.6	2239	1	987.6	2272	1	1109.3
2206	1	865.3				2273	1	1112.9
2207	1	869.0	2240	1	991.2	2274	1	1116.6
2208	1	872.7	2241	1	994.9	2275	1	1120.3
2209	1	876.4	2242	1	998.6	2276	1	1123.9
			2243	1	1002.3	2277	1	1127.6
2210	1	880.1	2244	1	1006.0	2278	1	1131.3
2211	1	883.8	2245	1	1009.8	2279	1	1134.9
2212	1	887.5	2246	1	1013.5			
2213	1	891.3	2247	1	1017.2	2280	1	1138.6
2214	1	895.0	2248	1	1020.9	2281	1	1142.3
2215	1	898.7	2249	1	1024.6	2282	1	1145.9
2216	1	902.4				2283	1	1149.6
2217	1	906.1	2250	1	1028.3	2284	1	1153.3
2218	1	909.8	2251	1	1032.0	2285	1	1156.9
2219	1	913.5	2252	1	1035.7	2286	1	1160.6
			2253	1	1039.4	2287	1	1164.2
2220	1	917.2	2254	1	1043.1	2288	1	1167.9
2221	1	921.0	2255	1	1046.8	2289	1	1171.6
2222	1	924.7	2256	1	1050.5			
2223	1	928.4	2257	1	1054.2	2290	1	1175.2
2224	1	932.1	2258	1	1057.9	2291	1	1178.9
2225	1	935.8	2259	1	1061.6	2292	1	1182.5
2226	1	939.5				2293	1	1186.2
2227	1	943.2	2260	1	1065.3	2294	1	1189.9
2228	1	946.9	2261	1	1069.0	2295	1	1193.5
2229	1	950.6	2262	1	1072.6	2296	1	1197.2
			2263	1	1076.3	2297	1	1200.8
2230	1	954.3	2264	1	1079.9	2298	1	1204.5
2231	1	958.0	2265	1	1083.6	2299	1	1208.1
2232	1	961.7	2266	1	1087.3			
2233	1	965.4	2267	1	1090.9	2300	1	1211.8

Use check point at 2200 or 2300 Kc, whichever is nearer

Frequency: 2100-2200 Kc

Freq.	A	B	Freq.	A	B	Freq.	A	B
2100	1	489.6	2134	1	596.4	2168	1	723.5
2101	1	473.3	2135	1	600.1	2169	1	727.2
2102	1	477.0	2136	1	603.9			
2103	1	480.7	2137	1	607.6	2170	1	731.0
2104	1	484.4	2138	1	611.4	2171	1	734.7
2105	1	488.2	2139	1	615.1	2172	1	738.5
2106	1	491.9				2173	1	742.2
2107	1	495.6	2140	1	618.8	2174	1	746.0
2108	1	499.3	2141	1	622.6	2175	1	749.7
2109	1	503.0	2142	1	626.3	2176	1	753.5
			2143	1	630.1	2177	1	757.2
2110	1	506.7	2144	1	633.8	2178	1	761.0
2111	1	510.5	2145	1	637.5	2179	1	764.7
2112	1	514.2	2146	1	641.3			
2113	1	517.9	2147	1	645.0	2180	1	768.5
2114	1	521.7	2148	1	648.8	2181	1	772.2
2115	1	525.4	2149	1	652.5	2182	1	775.9
2116	1	529.2				2183	1	779.6
2117	1	532.9	2150	1	656.2	2184	1	783.3
2118	1	536.6	2151	1	660.0	2185	1	787.1
2119	1	540.4	2152	1	663.7	2186	1	790.8
			2153	1	667.4	2187	1	794.5
2120	1	544.1	2154	1	671.2	2188	1	798.2
2121	1	547.9	2155	1	674.9	2189	1	802.0
2122	1	551.6	2156	1	678.6			
2123	1	555.3	2157	1	682.4	2190	1	805.7
2124	1	559.0	2158	1	686.1	2191	1	809.4
2125	1	562.8	2159	1	689.8	2192	1	813.1
2126	1	566.5				2193	1	816.9
2127	1	570.2	2160	1	693.6	2194	1	820.6
2128	1	574.0	2161	1	697.3	2195	1	824.3
2129	1	577.7	2162	1	701.1	2196	1	828.1
			2163	1	704.8	2197	1	831.8
2130	1	581.4	2164	1	708.5	2198	1	835.5
2131	1	585.2	2165	1	712.3	2199	1	839.3
2132	1	588.9	2166	1	716.0			
2133	1	592.6	2167	1	719.8	2200	1	843.0

Use check point at 2100 or 2200 Kc, whichever is nearer

Frequency: 2300-2400 Kc

Freq.	A	B	Freq.	A	B	Freq.	A	B
2300	1	1211.8	2334	1	1336.2	2368	1	1460.6
2301	1	1215.4	2335	1	1339.8	2369	1	1464.2
2302	1	1219.1	2336	1	1343.5			
2303	1	1222.7	2337	1	1347.1	2370	1	1467.9
2304	1	1226.4	2338	1	1350.8	2371	1	1471.6
2305	1	1230.0	2339	1	1354.5	2372	1	1475.3
2306	1	1233.7				2373	1	1479.0
2307	1	1237.3	2340	1	1358.1	2374	1	1482.7
2308	1	1241.0	2341	1	1361.8	2375	1	1486.4
2309	1	1244.6	2342	1	1365.4	2376	1	1490.0
			2343	1	1369.1	2377	1	1493.7
2310	1	1248.3	2344	1	1372.7	2378	1	1497.4
2311	1	1252.0	2345	1	1376.4	2379	1	1501.1
2312	1	1255.6	2346	1	1380.0			
2313	1	1259.3	2347	1	1383.7	2380	1	1504.8
2314	1	1262.9	2348	1	1387.3	2381	1	1508.5
2315	1	1266.6	2349	1	1391.0	2382	1	1512.2
2316	1	1270.2				2383	1	1515.9
2317	1	1273.9	2350	1	1394.6	2384	1	1519.6
2318	1	1277.5	2351	1	1398.3	2385	1	1523.3
2319	1	1281.2	2352	1	1402.0	2386	1	1527.0
			2353	1	1405.7	2387	1	1530.7
2320	1	1284.8	2354	1	1409.3	2388	1	1534.3
2321	1	1288.5	2355	1	1413.0	2389	1	1538.0
2322	1	1292.2	2356	1	1416.7			
2323	1	1295.8	2357	1	1420.3	2390	1	1541.7
2324	1	1299.5	2358	1	1424.0	2391	1	1545.4
2325	1	1303.2	2359	1	1427.7	2392	1	1549.1
2326	1	1306.8				2393	1	1552.9
2327	1	1310.5	2360	1	1431.4	2394	1	1556.6
2328	1	1314.2	2361	1	1435.0	2395	1	1560.3
2329	1	1317.9	2362	1	1438.7	2396	1	1564.0
			2363	1	1442.3	2397	1	1567.7
2330	1	1321.5	2364	1	1446.0	2398	1	1571.4
2331	1	1325.2	2365	1	1449.6	2399	1	1575.1
2332	1	1328.8	2366	1	1453.3			
2333</								

AN 08-30 ART 13-3

**TABLE 5-2. CALIBRATION OF RADIO TRANSMITTER
T-47A/ART-13 OR T-47/ART-13 WHEN MCW-CFI 8Q-2 UNIT
IS USED. (Continued)**

Frequency: 2400-2500 Kc						Frequency: 2600-2700 Kc					
Freq.	A	B	Freq.	A	B	Freq.	A	B	Freq.	A	B
2400	2	60.0	2434	2	164.0	2468	2	267.4	2600	2	673.4
2401	2	63.1	2435	2	167.0	2469	2	270.4	2601	2	676.5
2402	2	66.1	2436	2	170.0				2602	2	679.6
2403	2	69.2	2437	2	173.1	2470	2	273.5	2603	2	682.7
2404	2	72.3	2438	2	176.1	2471	2	276.5	2604	2	685.7
2405	2	75.3	2439	2	179.1	2472	2	279.6	2605	2	688.8
2406	2	78.4				2473	2	282.6	2606	2	691.9
2407	2	81.5	2440	2	182.2	2474	2	285.7	2607	2	695.0
2408	2	84.5	2441	2	185.2	2475	2	288.7	2608	2	698.1
2409	2	87.6	2442	2	188.3	2476	2	291.7	2609	2	701.2
			2443	2	191.3	2477	2	294.8			
2410	2	90.7	2444	2	194.3	2478	2	297.8	2610	2	704.2
2411	2	93.7	2445	2	197.4	2479	2	300.9	2611	2	707.3
2412	2	96.8	2446	2	200.4				2612	2	710.4
2413	2	99.9	2447	2	203.5	2480	2	303.9	2613	2	713.5
2414	2	102.9	2448	2	206.5	2481	2	307.0	2614	2	716.6
2415	2	106.0	2449	2	209.6	2482	2	310.0	2615	2	719.8
2416	2	109.1				2483	2	313.1	2616	2	722.9
2417	2	112.1	2450	2	212.6	2484	2	316.1	2617	2	726.0
2418	2	115.2	2451	2	215.6	2485	2	319.2	2618	2	729.1
2419	2	118.3	2452	2	218.7	2486	2	322.2	2619	2	732.2
			2453	2	221.7	2487	2	325.3			
2420	2	121.3	2454	2	224.7	2488	2	328.4	2620	2	735.3
2421	2	124.4	2455	2	227.8	2489	2	331.4	2621	2	738.3
2422	2	127.4	2456	2	230.8				2622	2	741.4
2423	2	130.5	2457	2	233.9	2490	2	334.5	2623	2	744.5
2424	2	133.5	2458	2	236.9	2491	2	337.5	2624	2	747.5
2425	2	136.6	2459	2	239.9	2492	2	340.6	2625	2	750.6
2426	2	139.6				2493	2	343.7	2626	2	753.7
2427	2	142.7	2460	2	243.0	2494	2	346.8	2627	2	756.8
2428	2	145.7	2461	2	246.0	2495	2	349.8	2628	2	759.8
2429	2	148.8	2462	2	249.1	2496	2	352.9	2629	2	762.9
			2463	2	252.1	2497	2	356.0			
2430	2	151.8	2464	2	255.2	2498	2	359.0	2630	2	766.0
2431	2	154.9	2465	2	258.2	2499	2	362.1	2631	2	769.1
2432	2	157.9	2466	2	261.3				2632	2	772.1
2433	2	160.9	2467	2	264.3	2500	2	365.2	2633	2	775.2

Use check point at 2400 or 2500 Kc, whichever is nearer

Use check point at 2600 or 2700 Kc, whichever is nearer

Frequency: 2500-2600 Kc						Frequency: 2700-2800 Kc					
Freq.	A	B	Freq.	A	B	Freq.	A	B	Freq.	A	B
2500	2	363.2	2534	2	469.5	2568	2	574.4	2700	2	981.4
2501	2	368.2	2535	2	472.5	2569	2	577.5	2701	2	984.4
2502	2	371.3	2536	2	475.6				2702	2	987.5
2503	2	374.3	2537	2	478.6	2570	2	580.6	2703	2	990.5
2504	2	377.3	2538	2	481.7	2571	2	583.7	2704	2	993.6
2505	2	380.4	2539	2	484.8	2572	2	586.8	2705	2	996.7
2506	2	383.4				2573	2	589.9	2706	2	999.7
2507	2	386.5	2540	2	487.8	2574	2	593.0	2707	2	1002.8
2508	2	389.5	2541	2	490.9	2575	2	596.1	2708	2	1005.8
2509	2	392.6	2542	2	494.0	2576	2	599.2	2709	2	1008.9
			2543	2	497.2	2577	2	602.3			
2510	2	395.6	2544	2	500.3	2578	2	605.4	2710	2	1012.0
2511	2	398.7	2545	2	503.4	2579	2	608.5	2711	2	1015.0
2512	2	401.8	2546	2	506.5				2712	2	1018.1
2513	2	404.8	2547	2	509.6	2580	2	611.6	2713	2	1021.1
2514	2	407.9	2548	2	512.7	2581	2	614.7	2714	2	1024.2
2515	2	411.0	2549	2	515.8	2582	2	617.8	2715	2	1027.2
2516	2	414.1				2583	2	620.9	2716	2	1030.3
2517	2	417.2	2550	2	518.9	2584	2	623.9	2717	2	1033.3
2518	2	420.2	2551	2	522.0	2585	2	627.0	2718	2	1036.4
2519	2	423.3	2552	2	525.1	2586	2	630.1	2719	2	1039.4
			2553	2	528.2	2587	2	633.2			
2520	2	426.4	2554	2	531.2	2588	2	636.3	2720	2	1042.5
2521	2	429.5	2555	2	534.3	2589	2	639.4	2721	2	1045.5
2522	2	432.6	2556	2	537.4				2722	2	1048.6
2523	2	435.6	2557	2	540.5	2590	2	642.5	2723	2	1051.6
2524	2	438.7	2558	2	543.6	2591	2	645.6	2724	2	1054.7
2525	2	441.8	2559	2	546.6	2592	2	648.7	2725	2	1057.7
2526	2	444.9				2593	2	651.8	2726	2	1060.8
2527	2	448.0	2560	2	549.7	2594	2	654.9	2727	2	1063.8
2528	2	451.1	2561	2	552.8	2595	2	658.0	2728	2	1066.9
2529	2	454.2	2562	2	555.9	2596	2	661.1	2729	2	1069.9
			2563	2	559.0	2597	2	664.2			
2530	2	457.2	2564	2	562.1	2598	2	667.2	2730	2	1073.0
2531	2	460.3	2565	2	565.2	2599	2	670.3	2731	2	1076.0
2532	2	463.4	2566	2	568.2				2732	2	1079.1
2533	2	466.4	2567	2	571.3	2600	2	673.4	2733	2	1082.1

Use check point at 2500 or 2600 Kc, whichever is nearer

Use check point at 2700 or 2800 Kc, whichever is nearer

**TABLE 5-2. CALIBRATION OF RADIO TRANSMITTER
T-47A/ART-13 OR T-47/ART-13 WHEN MCW-CFI 8Q-2 UNIT
IS USED. (Continued)**

Frequency: 2800-2900 Kc

Freq.	A	B	Freq.	A	B	Freq.	A	B
2800	2	1285.3	2834	2	1368.4	2868	2	1491.9
2801	2	1288.3	2835	2	1391.4	2869	2	1495.0
2802	2	1291.4	2836	2	1394.5			
2803	2	1294.4	2837	2	1397.5	2870	2	1498.0
2804	2	1297.4	2838	2	1400.5	2871	2	1501.1
2805	2	1300.5	2839	2	1403.6	2872	2	1504.2
2806	2	1303.5				2873	2	1507.2
2807	2	1306.6	2840	2	1406.6	2874	2	1510.3
2808	2	1309.6	2841	2	1409.6	2875	2	1513.4
2809	2	1312.6	2842	2	1412.7	2876	2	1516.4
			2843	2	1415.7	2877	2	1519.5
2810	2	1315.7	2844	2	1418.8	2878	2	1522.5
2811	2	1318.7	2845	2	1421.8	2879	2	1525.6
2812	2	1321.7	2846	2	1424.9			
2813	2	1324.8	2847	2	1427.9	2880	2	1528.7
2814	2	1327.8	2848	2	1431.0	2881	2	1531.7
2815	2	1330.8	2849	2	1434.0	2882	2	1534.8
2816	2	1333.8				2883	2	1537.9
2817	2	1336.9	2850	2	1437.1	2884	2	1540.9
2818	2	1339.9	2851	2	1440.1	2885	2	1544.0
2819	2	1342.9	2852	2	1443.2	2886	2	1547.0
			2853	2	1446.2	2887	2	1550.1
2820	2	1346.0	2854	2	1449.3	2888	2	1553.2
2821	2	1349.0	2855	2	1452.4	2889	2	1556.2
2822	2	1352.0	2856	2	1455.4			
2823	2	1355.1	2857	2	1458.5	2890	2	1559.3
2824	2	1358.1	2858	2	1461.5	2891	2	1562.4
2825	2	1361.1	2859	2	1464.6	2892	2	1565.4
2826	2	1364.2				2893	2	1568.5
2827	2	1367.2	2860	2	1467.6	2894	2	1571.6
2828	2	1370.2	2861	2	1470.7	2895	2	1574.7
2829	2	1373.2	2862	2	1473.7	2896	2	1577.8
			2863	2	1476.8	2897	2	1580.8
2830	2	1376.3	2864	2	1479.8	2898	2	1583.9
2831	2	1379.3	2865	2	1482.8	2899	2	1587.0
2832	2	1382.3	2866	2	1485.9			
2833	2	1385.4	2867	2	1488.9	2900	2	1590.1

Use check point at 2800 or 2900 Kc, whichever is nearer

Frequency: 3000-3100 Kc

Freq.	A	B	Freq.	A	B	Freq.	A	B
3000	3	180.1	3034	3	183.8	3068	3	267.1
3001	3	102.6	3035	3	186.2	3069	3	269.6
3002	3	105.1	3036	3	188.7			
3003	3	107.5	3037	3	191.1	3070	3	272.0
3004	3	110.0	3038	3	193.6	3071	3	274.5
3005	3	112.5	3039	3	196.0	3072	3	276.9
3006	3	114.9				3073	3	279.4
3007	3	117.4	3040	3	198.5	3074	3	281.8
3008	3	119.9	3041	3	200.9	3075	3	284.3
3009	3	122.3	3042	3	203.4	3076	3	286.8
			3043	3	205.8	3077	3	289.2
3010	3	124.8	3044	3	208.3	3078	3	291.7
3011	3	127.3	3045	3	210.7	3079	3	294.1
3012	3	129.7	3046	3	213.2			
3013	3	132.2	3047	3	215.6	3080	3	296.6
3014	3	134.7	3048	3	218.1	3081	3	299.1
3015	3	137.1	3049	3	220.5	3082	3	301.5
3016	3	139.6				3083	3	304.0
3017	3	142.1	3050	3	223.0	3084	3	306.5
3018	3	144.5	3051	3	225.4	3085	3	308.9
3019	3	147.0	3052	3	227.9	3086	3	311.4
			3053	3	230.3	3087	3	313.9
3020	3	149.4	3054	3	232.8	3088	3	316.3
3021	3	151.9	3055	3	235.2	3089	3	318.8
3022	3	154.3	3056	3	237.7			
3023	3	156.8	3057	3	240.1	3090	3	321.2
3024	3	159.3	3058	3	242.6	3091	3	323.7
3025	3	161.7	3059	3	245.0	3092	3	326.2
3026	3	164.2				3093	3	328.6
3027	3	166.6	3060	3	247.5	3094	3	331.1
3028	3	169.1	3061	3	249.9	3095	3	333.5
3029	3	171.5	3062	3	252.4	3096	3	336.0
			3063	3	254.8	3097	3	338.5
3030	3	174.0	3064	3	257.3	3098	3	340.9
3031	3	176.4	3065	3	259.7	3099	3	343.4
3032	3	178.9	3066	3	262.2			
3033	3	181.3	3067	3	264.6	3100	3	345.8

Use check point at 3000 or 3100 Kc, whichever is nearer

Frequency: 2900-3000 Kc

Freq.	A	B	Freq.	A	B	Freq.	A	B
2900	2	1590.1	2934	2	1696.2	2968	2	1804.7
2901	2	1593.2	2935	2	1699.3	2969	2	1808.0
2902	2	1596.3	2936	2	1702.5			
2903	2	1599.4	2937	2	1705.7	2970	2	1811.2
2904	2	1602.5	2938	2	1708.8	2971	2	1814.4
2905	2	1605.6	2939	2	1712.0	2972	2	1817.7
2906	2	1608.7				2973	2	1820.9
2907	2	1611.8	2940	2	1715.1	2974	2	1824.2
2908	2	1614.9	2941	2	1718.3	2975	2	1827.4
2909	2	1618.0	2942	2	1721.5	2976	2	1830.7
			2943	2	1724.6	2977	2	1833.9
2910	2	1621.1	2944	2	1727.8	2978	2	1837.2
2911	2	1624.2	2945	2	1731.0	2979	2	1840.4
2912	2	1627.3	2946	2	1734.1			
2913	2	1630.4	2947	2	1737.3	2980	2	1843.7
2914	2	1633.5	2948	2	1740.5	2981	2	1847.0
2915	2	1636.7	2949	2	1743.6	2982	2	1850.3
2916	2	1639.8				2983	2	1853.6
2917	2	1642.9	2950	2	1746.8	2984	2	1856.9
2918	2	1646.0	2951	2	1750.0	2985	2	1860.2
2919	2	1649.1	2952	2	1753.2	2986	2	1863.5
			2953	2	1756.4	2987	2	1866.8
2920	2	1652.3	2954	2	1759.6	2988	2	1870.1
2921	2	1655.4	2955	2	1762.8	2989	2	1873.5
2922	2	1658.5	2956	2	1766.0			
2923	2	1661.7	2957	2	1769.3	2990	2	1876.8
2924	2	1664.8	2958	2	1772.5	2991	2	1880.1
2925	2	1667.9	2959	2	1775.7	2992	2	1883.4
2926	2	1671.0				2993	2	1886.7
2927	2	1674.2	2960	2	1778.9	2994	2	1890.1
2928	2	1677.3	2961	2	1782.1	2995	2	1893.4
2929	2	1680.4	2962	2	1785.3	2996	2	1896.7
			2963	2	1788.6	2997	2	1900.0
2930	2	1683.6	2964	2	1791.8	2998	2	1903.4
2931	2	1686.7	2965	2	1795.0	2999	2	1906.7
2932	2	1689.9	2966	2	1798.3			
2933	2	1693.0	2967	2	1801.5	3000	2	1910.0

Use check point at 2900 or 3000 Kc, whichever is nearer

Frequency: 3100-3200 Kc

Freq.	A	B	Freq.	A	B	Freq.	A	B
3100	3	345.8	3134	3	429.8	3168	3	514.2
3101	3	348.3	3135	3	432.3	3169	3	516.7
3102	3	350.8	3136	3	434.8			
3103	3	353.2	3137	3	437.3	3170	3	519.2
3104	3	355.7	3138	3	439.8	3171	3	521.7
3105	3	358.1	3139	3	442.3	3172	3	524.2
3106	3	360.6				3173	3	526.7
3107	3	363.1	3140	3	444.7	3174	3	529.2
3108	3	365.5	3141	3	447.2	3175	3	531.7
3109	3	368.0	3142	3	449.7	3176	3	534.1
			3143	3	452.2	3177	3	536.6
3110	3	370.4	3144	3	454.7	3178	3	539.1
3111	3	372.9	3145	3	457.2	3179	3	541.6
3112	3	375.4	3146	3	459.6			
3113	3	377.8	3147	3	462.1	3180	3	544.1
3114	3	380.3	3148	3	464.6	3181	3	546.6
3115	3	382.8	3149	3	467.1	3182	3	549.1
3116	3	385.2				3183	3	551.6
3117	3	387.7	3150	3	469.6	3184	3	554.1
3118	3	390.1	3151	3	472.1	3185	3	556.6
3119	3	392.6	3152	3	474.5	3186	3	559.0
			3153	3	477.0	3187	3	561.5
3120	3	395.1	3154	3	479.5	3188	3	564.0
3121	3	397.5	3155	3	482.0	3189	3	566.5
3122	3	400.0	3156	3	484.4			
3123	3	402.5	3157	3	486.9	3190	3	569.0
3124	3	405.0	3158	3	489.4	3191	3	571.5
3125	3	407.5	3159	3	491.9	3192	3	574.0
3126	3	410.0				3193	3	576.4
3127	3	412.5	3160	3	494.3	3194	3	578.9
3128	3	414.9	3161	3	496.8	3195	3	581.4
3129	3	417.4	3162	3	499.3	3196	3	583.9
			3163	3	501.8	3197	3	586.4
3130	3	419.9	3164	3	504.2	3198	3	588.9
3131	3	422.4	3165	3	506.7	3199	3	591.4
3132	3	424.9	3166	3	509.2			

AN 08-30 ART 13-3

**TABLE 5-2. CALIBRATION OF RADIO TRANSMITTER
T-47A ART-13 OR T-47 ART-13 WHEN MCW-CFI 8Q-2 UNIT
IS USED. (Continued)**

Frequency: 3200-3300 Kc

Freq.	A	B	Freq.	A	B	Freq.	A	B
3200	3	593.9	3234	3	678.6	3268	3	763.5
3201	3	596.4	3235	3	681.1	3269	3	766.0
3202	3	598.9	3236	3	683.6			
3203	3	601.4	3237	3	686.1	3270	3	768.5
3204	3	603.9	3238	3	688.6	3271	3	770.9
3205	3	606.4	3239	3	691.1	3272	3	773.4
3206	3	608.9				3273	3	775.9
3207	3	611.4	3240	3	693.6	3274	3	778.4
3208	3	613.9	3241	3	696.1	3275	3	780.9
3209	3	616.4	3242	3	698.6	3276	3	783.3
			3243	3	701.1	3277	3	785.8
3210	3	618.8	3244	3	703.5	3278	3	788.3
3211	3	621.3	3245	3	706.0	3279	3	790.8
3212	3	623.8	3246	3	708.5			
3213	3	626.3	3247	3	711.0	3280	3	793.3
3214	3	628.8	3248	3	713.5	3281	3	795.7
3215	3	631.3	3249	3	716.0	3282	3	798.2
3216	3	633.8				3283	3	800.7
3217	3	636.3	3250	3	718.5	3284	3	803.2
3218	3	638.8	3251	3	721.0	3285	3	805.7
3219	3	641.3	3252	3	723.5	3286	3	808.2
			3253	3	726.0	3287	3	810.7
3220	3	643.8	3254	3	728.5	3288	3	813.1
3221	3	646.3	3255	3	731.0	3289	3	815.6
3222	3	648.8	3256	3	733.5			
3223	3	651.3	3257	3	736.0	3290	3	818.1
3224	3	653.7	3258	3	738.5	3291	3	820.6
			3259	3	741.0	3292	3	823.1
3225	3	656.2				3293	3	825.6
3226	3	658.7	3260	3	743.5	3294	3	828.1
3227	3	661.2	3261	3	746.0	3295	3	830.6
3228	3	663.7	3262	3	748.5	3296	3	833.0
3229	3	666.2	3263	3	751.0	3297	3	835.5
			3264	3	753.5	3298	3	838.0
3230	3	668.7	3265	3	756.0	3299	3	840.5
3231	3	671.2	3266	3	758.5			
3232	3	673.7	3267	3	761.0	3300	3	843.0
3233	3	676.2						

Use check point at 3150 or 3300 Kc, whichever is nearer

Frequency: 3400-3500 Kc

Freq.	A	B	Freq.	A	B	Freq.	A	B
3400	3	1089.7	3434	3	1172.8	3468	3	1255.6
3401	3	1092.1	3435	3	1175.2	3469	3	1258.0
3402	3	1094.6	3436	3	1177.7			
3403	3	1097.0	3437	3	1180.1	3470	3	1260.5
3404	3	1099.5	3438	3	1182.5	3471	3	1262.9
3405	3	1101.9	3439	3	1185.0	3472	3	1265.4
3406	3	1104.4				3473	3	1267.8
3407	3	1106.8	3440	3	1187.4	3474	3	1270.2
3408	3	1109.2	3441	3	1189.8	3475	3	1272.7
3409	3	1111.7	3442	3	1192.3	3476	3	1275.1
			3443	3	1194.7	3477	3	1277.5
3410	3	1114.1	3444	3	1197.2	3478	3	1280.0
3411	3	1116.6	3445	3	1199.6	3479	3	1282.4
3412	3	1119.0	3446	3	1202.0			
3413	3	1121.5	3447	3	1204.5	3480	3	1284.8
3414	3	1123.9	3448	3	1206.9	3481	3	1287.3
3415	3	1126.4	3449	3	1209.3	3482	3	1289.7
3416	3	1128.8				3483	3	1292.2
3417	3	1131.3	3450	3	1211.8	3484	3	1294.6
3418	3	1133.7	3451	3	1214.2	3485	3	1297.1
3419	3	1136.1	3452	3	1216.7	3486	3	1299.5
			3453	3	1219.1	3487	3	1302.0
3420	3	1138.6	3454	3	1221.5	3488	3	1304.4
3421	3	1141.1	3455	3	1224.0	3489	3	1306.8
3422	3	1143.5	3456	3	1226.4			
3423	3	1145.9	3457	3	1228.8	3490	3	1309.3
3424	3	1148.4	3458	3	1231.3	3491	3	1311.7
3425	3	1150.8	3459	3	1233.7	3492	3	1314.2
3426	3	1153.3				3493	3	1316.6
3427	3	1155.7	3460	3	1236.1	3494	3	1319.1
3428	3	1158.1	3461	3	1238.6	3495	3	1321.5
3429	3	1160.6	3462	3	1241.0	3496	3	1324.0
			3463	3	1243.4	3497	3	1326.4
3430	3	1163.0	3464	3	1245.9	3498	3	1328.8
3431	3	1165.5	3465	3	1248.3	3499	3	1331.3
3432	3	1167.9	3466	3	1250.7			
3433	3	1170.3	3467	3	1253.2	3500	3	1333.7

Use check point at 3450 Kc

Frequency: 3300-3400 Kc

Freq.	A	B	Freq.	A	B	Freq.	A	B
3300	3	843.0	3334	3	927.1	3368	3	1011.0
3301	3	845.5	3335	3	929.6	3369	3	1013.5
3302	3	848.0	3336	3	932.1			
3303	3	850.4	3337	3	934.6	3370	3	1015.9
3304	3	852.9	3338	3	937.0	3371	3	1018.4
3305	3	855.4	3339	3	939.5	3372	3	1020.9
3306	3	857.9				3373	3	1023.3
3307	3	860.3	3340	3	942.0	3374	3	1025.8
3308	3	862.8	3341	3	944.4			
3309	3	865.3	3342	3	946.9	3375	3	1028.3
			3343	3	949.4	3376	3	1030.7
3310	3	867.8	3344	3	951.9	3377	3	1033.2
3311	3	870.2	3345	3	954.3	3378	3	1035.7
3312	3	872.7	3346	3	956.8	3379	3	1038.1
3313	3	875.2	3347	3	959.3	3380	3	1040.6
3314	3	877.7	3348	3	961.7	3381	3	1043.1
3315	3	880.1	3349	3	964.2	3382	3	1045.5
3316	3	882.6				3383	3	1048.0
3317	3	885.1	3350	3	966.6	3384	3	1050.5
3318	3	887.6	3351	3	969.1	3385	3	1052.9
3319	3	890.0	3352	3	971.6	3386	3	1055.4
			3353	3	974.0	3387	3	1057.9
3320	3	892.5	3354	3	976.5	3388	3	1060.3
3321	3	895.0	3355	3	978.9	3389	3	1062.8
3322	3	897.4	3356	3	981.4			
3323	3	899.9	3357	3	983.9	3390	3	1065.2
3324	3	902.4	3358	3	986.3	3391	3	1067.7
3325	3	904.9	3359	3	988.8	3392	3	1070.2
3326	3	907.3				3393	3	1072.6
3327	3	909.8	3360	3	991.2	3394	3	1075.0
3328	3	912.3	3361	3	993.7	3395	3	1077.5
3329	3	914.8	3362	3	996.2	3396	3	1079.9
			3363	3	998.6	3397	3	1082.4
3330	3	917.2	3364	3	1001.1	3398	3	1084.8
3331	3	919.7	3365	3	1003.6	3399	3	1087.3
3332	3	922.2	3366	3	1006.0			
3333	3	924.7	3367	3	1008.5	3400	3	1089.7

Use check point at 3300 or 3450 Kc, whichever is nearer

Frequency: 3500-3600 Kc

Freq.	A	B	Freq.	A	B	Freq.	A	B
3500	3	1333.7	3534	3	1416.7	3568	3	1499.9
3501	3	1336.2	3535	3	1419.2	3569	3	1502.4
3502	3	1338.6	3536	3	1421.6			
3503	3	1341.0	3537	3	1424.0	3570	3	1504.8
3504	3	1343.5	3538	3	1426.5	3571	3	1507.3
3505	3	1345.9	3539	3	1428.9	3572	3	1509.7
3506	3	1348.4				3573	3	1512.2
3507	3	1350.8	3540	3	1431.4	3574	3	1514.7
3508	3	1353.2	3541	3	1433.8	3575	3	1517.1
3509	3	1355.7	3542	3	1436.2	3576	3	1519.6
			3543	3	1438.7	3577	3	1522.0
3510	3	1358.1	3544	3	1441.1	3578	3	1524.5
3511	3	1360.6	3545	3	1443.5	3579	3	1527.0
3512	3	1363.0	3546	3	1446.0			
3513	3	1365.4	3547	3	1448.4	3580	3	1529.4
3514	3	1367.9	3548	3	1450.8	3581	3	1531.9
3515	3	1370.3	3549	3	1453.3	3582	3	1534.3
3516	3	1372.7				3583	3	1536.8
3517	3	1375.2	3550	3	1455.7	3584	3	1539.3
3518	3	1377.6	3551	3	1458.1	3585	3	1541.7
3519	3	1380.0	3552	3	1460.6	3586	3	1544.2
			3553	3	1463.0	3587	3	1546.7
3520	3	1382.5	3554	3	1465.4	3588	3	1549.1
3521	3	1384.9	3555	3	1467.9	3589	3	1551.6
3522	3	1387.3	3556	3	1470.3			
3523	3	1389.8	3557	3	1472.8	3590	3	1554.1
3524	3	1392.2	3558	3	1475.3	3591	3	1556.6
			3559	3	1477.7	3592	3	1559.1
3525	3	1394.6				3593	3	1561.5
3526	3	1397.1				3594	3	1564.0
3527	3	1399.5	3560	3	1480.2	3595	3	1566.5
3528	3	1402.0	3561	3	1482.6	3596	3	1569.0
3529	3	1404.4	3562	3	1485.1	3597	3	1571.4
			3563	3	1487.6	3598	3	1573.9
3530	3	1406.9	3564	3	1490.0	3599	3	1576.4
3531	3							

SECTION V

AN 08-30 ART 13-3

**TABLE 5-2. CALIBRATION OF RADIO TRANSMITTER
T-47A/ART-13 OR T-47/ART-13 WHEN MCW-CFI 8Q-2 UNIT
IS USED. (Continued)**

Frequency: 3600-3700 Kc

Freq.	A	B	Freq.	A	B	Freq.	A	B
3600	4	60.0	3634	4	129.5	3668	4	198.4
3601	4	62.0	3635	4	131.5	3669	4	200.4
3602	4	64.1	3636	4	133.5			
3603	4	66.1	3637	4	135.6	3670	4	202.5
3604	4	68.2	3638	4	137.6	3671	4	204.5
3605	4	70.2	3639	4	139.6	3672	4	206.5
3606	4	72.3				3673	4	208.5
3607	4	74.3	3640	4	141.7	3674	4	210.6
3608	4	76.4	3641	4	143.7	3675	4	212.6
3609	4	78.4	3642	4	145.7	3676	4	214.6
			3643	4	147.7	3677	4	216.6
3610	4	80.4	3644	4	149.8	3678	4	218.7
3611	4	82.5	3645	4	151.8	3679	4	220.7
3612	4	84.5	3646	4	153.8			
3613	4	86.5	3647	4	155.9	3680	4	222.7
3614	4	88.6	3648	4	157.9	3681	4	224.7
3615	4	90.7	3649	4	159.9	3682	4	226.8
3616	4	92.7				3683	4	228.8
3617	4	94.7	3650	4	161.9	3684	4	230.8
3618	4	96.8	3651	4	164.0	3685	4	232.8
3619	4	98.8	3652	4	166.0	3686	4	234.9
			3653	4	168.0	3687	4	236.9
3620	4	100.9	3654	4	170.0	3688	4	238.9
3621	4	102.9	3655	4	172.1	3689	4	240.9
3622	4	105.0	3656	4	174.1			
3623	4	107.0	3657	4	176.1	3690	4	243.0
3624	4	109.1	3658	4	178.1	3691	4	245.0
3625	4	111.1	3659	4	180.2	3692	4	247.0
3626	4	113.1				3693	4	249.1
3627	4	115.2	3660	4	182.2	3694	4	251.1
3628	4	117.2	3661	4	184.2	3695	4	253.1
3629	4	119.3	3662	4	186.2	3696	4	255.2
			3663	4	188.3	3697	4	257.2
3630	4	121.3	3664	4	190.3	3698	4	259.2
3631	4	123.4	3665	4	192.3	3699	4	261.3
3632	4	125.4	3666	4	194.3			
3633	4	127.4	3667	4	196.4	3700	4	263.3

Use check point at 3600 or 3750 Kc, whichever is nearer

Frequency: 3800-3900 Kc

Freq.	A	B	Freq.	A	B	Freq.	A	B
3800	4	467.4	3834	4	537.4	3868	4	607.4
3801	4	469.5	3835	4	539.4	3869	4	609.5
3802	4	471.5	3836	4	541.5			
3803	4	473.5	3837	4	543.6	3870	4	611.6
3804	4	475.6	3838	4	545.6	3871	4	613.6
3805	4	477.6	3839	4	547.7	3872	4	615.7
3806	4	479.7				3873	4	617.8
3807	4	481.7	3840	4	549.7	3874	4	619.8
3808	4	483.7	3841	4	551.8	3875	4	621.9
3809	4	485.8	3842	4	553.8	3876	4	623.9
			3843	4	555.9	3877	4	626.0
3810	4	487.8	3844	4	557.9	3878	4	628.1
3811	4	489.9	3845	4	560.0	3879	4	630.1
3812	4	492.0	3846	4	562.1			
3813	4	494.0	3847	4	564.1	3880	4	632.2
3814	4	496.1	3848	4	566.2	3881	4	634.3
3815	4	498.2	3849	4	568.2	3882	4	636.3
3816	4	500.2				3883	4	638.4
3817	4	502.3	3850	4	570.3	3884	4	640.4
3818	4	504.4	3851	4	572.3	3885	4	642.5
3819	4	506.5	3852	4	574.4	3886	4	644.6
			3853	4	576.5	3887	4	646.6
3820	4	508.5	3854	4	578.5	3888	4	648.7
3821	4	510.6	3855	4	580.6	3889	4	650.7
3822	4	512.7	3856	4	582.6			
3823	4	514.8	3857	4	584.7	3890	4	652.8
3824	4	516.8	3858	4	586.8	3891	4	654.9
			3859	4	588.8	3892	4	656.9
3825	4	518.9				3893	4	659.0
3826	4	521.0	3860	4	590.9	3894	4	661.1
3827	4	523.0	3861	4	593.0	3895	4	663.1
3828	4	525.1	3862	4	595.0	3896	4	665.2
3829	4	527.1	3863	4	597.1	3897	4	667.2
			3864	4	599.2	3898	4	669.3
3830	4	529.2	3865	4	601.2	3899	4	671.4
3831	4	531.2	3866	4	603.3			
3832	4	533.3	3867	4	605.4	3900	4	673.4
3833	4	535.3						

Use check point at 3750 or 3900 Kc, whichever is nearer

Frequency: 3700-3800 Kc

Freq.	A	B	Freq.	A	B	Freq.	A	B
3700	4	263.3	3734	4	332.4	3768	4	401.8
3701	4	265.4	3735	4	334.5	3769	4	403.8
3702	4	267.4	3736	4	336.5			
3703	4	269.4	3737	4	338.6	3770	4	405.9
3704	4	271.5	3738	4	340.6	3771	4	407.9
3705	4	273.5	3739	4	342.7	3772	4	410.0
3706	4	275.5				3773	4	412.0
3707	4	277.6	3740	4	344.7	3774	4	414.1
3708	4	279.6	3741	4	346.8	3775	4	416.1
3709	4	281.6	3742	4	348.8	3776	4	418.2
			3743	4	350.8	3777	4	420.2
3710	4	283.6	3744	4	352.9	3778	4	422.3
3711	4	285.7	3745	4	354.9	3779	4	424.3
3712	4	287.7	3746	4	357.0			
3713	4	289.7	3747	4	359.0	3780	4	426.4
3714	4	291.7	3748	4	361.1	3781	4	428.4
3715	4	293.8	3749	4	363.1	3782	4	430.5
3716	4	295.8				3783	4	432.6
3717	4	297.8	3750	4	365.2	3784	4	434.6
3718	4	299.8	3751	4	367.2	3785	4	436.7
3719	4	301.9	3752	4	369.2	3786	4	438.7
			3753	4	371.2	3787	4	440.8
3720	4	303.9	3754	4	373.3	3788	4	442.8
3721	4	305.9	3755	4	375.3	3789	4	444.9
3722	4	308.0	3756	4	377.3			
3723	4	310.0	3757	4	379.4	3790	4	447.0
3724	4	312.1	3758	4	381.4	3791	4	449.0
3725	4	314.1	3759	4	383.4	3792	4	451.1
3726	4	316.1				3793	4	453.1
3727	4	318.2	3760	4	385.5	3794	4	455.2
3728	4	320.2	3761	4	387.5	3795	4	457.2
3729	4	322.2	3762	4	389.5	3796	4	459.3
			3763	4	391.5	3797	4	461.3
3730	4	324.3	3764	4	393.6	3798	4	463.4
3731	4	326.3	3765	4	395.6	3799	4	465.4
3732	4	328.4	3766	4	397.7			
3733	4	330.4	3767	4	399.7	3800	4	467.4

Use check point at 3750 Kc

Frequency: 3900-4000 Kc

Freq.	A	B	Freq.	A	B	Freq.	A	B
3900	4	673.4	3934	4	743.4	3968	4	813.4
3901	4	675.5	3935	4	745.5	3969	4	815.5
3902	4	677.5	3936	4	747.5			
3903	4	679.6	3937	4	749.6	3970	4	817.6
3904	4	681.6	3938	4	751.6	3971	4	819.7
3905	4	683.7	3939	4	753.7	3972	4	821.7
3906	4	685.8				3973	4	823.8
3907	4	687.8	3940	4	755.7	3974	4	825.9
3908	4	689.9	3941	4	757.8	3975	4	828.0
3909	4	691.9	3942	4	759.8	3976	4	830.0
			3943	4	761.9	3977	4	832.1
3910	4	694.0	3944	4	763.9	3978	4	834.1
3911	4	696.0	3945	4	766.0	3979	4	836.2
3912	4	698.1	3946	4	768.0			
3913	4	700.1	3947	4	770.1	3980	4	838.2
3914	4	702.2	3948	4	772.1	3981	4	840.3
3915	4	704.2	3949	4	774.2	3982	4	842.3
3916	4	706.3				3983	4	844.4
3917	4	708.4	3950	4	776.3	3984	4	846.4
3918	4	710.4	3951	4	778.3	3985	4	848.5
3919	4	712.5	3952	4	780.4	3986	4	850.5
			3953	4	782.4	3987	4	852.6
3920	4	714.6	3954	4	784.5	3988	4	854.7
3921	4	716.6	3955	4	786.6	3989	4	856.7
3922	4	718.7	3956	4	788.6			
3923	4	720.8	3957	4	790.7	3990	4	858.8
3924	4	722.9	3958	4	792.7	3991	4	860.8
3925	4	724.9	3959	4	794.8	3992	4	862.8
3926	4	727.0				3993	4	864.8
3927	4	729.1	3960	4	796.9	3994	4	866.9
3928	4	731.1	3961	4	798.9	3995	4	868.9
3929	4	733.2	3962	4	801.0	3996	4	870.9
			3963	4	803.1	3997	4	872.9
3930	4	735.3	3964	4	805.2	3998	4	875.0
3931	4	737.3	3965	4	807.2	3999	4	877.0
3932	4	739.4	3966	4	809.3			
3933	4	741.4	3967	4	811.4	4000	4	879.0

Use check point at 3900 Kc

AN 08-30 ART 13-3

**TABLE 5-2. CALIBRATION OF RADIO TRANSMITTER
T-47A/ART-13 OR T-47/ART-13 WHEN MCW-CFI 8Q-2 UNIT
IS USED. (Continued)**

Frequency: 4000-4100 Kc						Frequency: 4200-4300 Kc					
Freq.	A	B	Freq.	A	B	Freq.	A	B	Freq.	A	B
4000	5	100.1	4034	5	162.9	4068	5	225.4	4200	5	469.6
4001	5	102.0	4035	5	164.8	4069	5	227.2	4201	5	471.4
4002	5	103.8	4036	5	166.6				4202	5	473.3
4003	5	105.7	4037	5	168.5	4070	5	229.1	4203	5	475.2
4004	5	107.5	4038	5	170.3	4071	5	230.9	4204	5	477.0
4005	5	109.4	4039	5	172.1	4072	5	232.7	4205	5	478.9
4006	5	111.2				4073	5	234.6	4206	5	480.7
4007	5	113.1	4040	5	174.0	4074	5	236.4	4207	5	482.6
4008	5	114.9	4041	5	175.8	4075	5	238.3	4208	5	484.4
4009	5	116.8	4042	5	177.7	4076	5	240.1	4209	5	486.3
			4043	5	179.5	4077	5	241.9			
4010	5	118.6	4044	5	181.3	4078	5	243.8	4210	5	488.2
4011	5	120.5	4045	5	183.2	4079	5	245.6	4211	5	490.0
4012	5	122.3	4046	5	185.0				4212	5	491.9
4013	5	124.2	4047	5	186.8	4080	5	247.4	4213	5	493.7
4014	5	126.0	4048	5	188.7	4081	5	249.3	4214	5	495.6
4015	5	127.9	4049	5	190.5	4082	5	251.1	4215	5	497.4
4016	5	129.7				4083	5	253.0	4216	5	499.3
4017	5	131.6	4050	5	192.3	4084	5	254.8	4217	5	501.1
4018	5	133.4	4051	5	194.2	4085	5	256.7	4218	5	503.0
4019	5	135.3	4052	5	196.0	4086	5	258.5	4219	5	504.9
			4053	5	197.8	4087	5	260.3			
4020	5	137.1	4054	5	199.7	4088	5	262.2	4220	5	506.7
4021	5	139.0	4055	5	201.5	4089	5	264.0	4221	5	508.6
4022	5	140.8	4056	5	203.4				4222	5	510.5
4023	5	142.7	4057	5	205.2	4090	5	265.9	4223	5	512.3
4024	5	144.5	4058	5	207.0	4091	5	267.7	4224	5	514.2
4025	5	146.4	4059	5	208.9	4092	5	269.6	4225	5	516.1
4026	5	148.2				4093	5	271.4	4226	5	517.9
4027	5	150.0	4060	5	210.7	4094	5	273.2	4227	5	519.8
4028	5	151.9	4061	5	212.5	4095	5	275.1	4228	5	521.7
4029	5	153.7	4062	5	214.4	4096	5	276.9	4229	5	523.6
			4063	5	216.2	4097	5	278.8			
4030	5	155.6	4064	5	218.0	4098	5	280.6	4230	5	525.4
4031	5	157.4	4065	5	219.9	4099	5	282.5	4231	5	527.3
4032	5	159.2	4066	5	221.7				4232	5	529.2
4033	5	161.1	4067	5	223.6	4100	5	284.3	4233	5	531.0

Use check point at 4000 Kc

Frequency: 4100-4200 Kc						Frequency: 4300-4400 Kc					
Freq.	A	B	Freq.	A	B	Freq.	A	B	Freq.	A	B
4100	5	284.3	4134	5	347.1	4168	5	410.0	4300	5	656.2
4101	5	286.1	4135	5	348.9	4169	5	411.8	4301	5	658.1
4102	5	288.0	4136	5	350.8				4302	5	660.0
4103	5	289.8	4137	5	352.6	4170	5	413.7	4303	5	661.8
4104	5	291.7	4138	5	354.5	4171	5	415.6	4304	5	663.7
4105	5	293.5	4139	5	356.3	4172	5	417.4	4305	5	665.6
4106	5	295.4				4173	5	419.3	4306	5	667.4
4107	5	297.2	4140	5	358.1	4174	5	421.2	4307	5	669.3
4108	5	299.1	4141	5	360.0	4175	5	423.0	4308	5	671.2
4109	5	300.9	4142	5	361.8	4176	5	424.9	4309	5	673.0
			4143	5	363.7	4177	5	426.7			
4110	5	302.8	4144	5	365.5	4178	5	428.6	4310	5	674.9
4111	5	304.6	4145	5	367.4	4179	5	430.5	4311	5	676.8
4112	5	306.5	4146	5	369.2				4312	5	678.6
4113	5	308.3	4147	5	371.1	4180	5	432.3	4313	5	680.5
4114	5	310.2	4148	5	372.9	4181	5	434.2	4314	5	682.4
4115	5	312.0	4149	5	374.8	4182	5	436.1	4315	5	684.2
4116	5	313.9				4183	5	437.9	4316	5	686.1
4117	5	315.7	4150	5	376.6	4184	5	439.8	4317	5	688.0
4118	5	317.5	4151	5	378.4	4185	5	441.7	4318	5	689.8
4119	5	319.4	4152	5	380.3	4186	5	443.5	4319	5	691.7
			4153	5	382.1	4187	5	445.4			
4120	5	321.2	4154	5	384.0	4188	5	447.2	4320	5	693.6
4121	5	323.1	4155	5	385.8	4189	5	449.1	4321	5	695.5
4122	5	324.9	4156	5	387.7				4322	5	697.3
4123	5	326.8	4157	5	389.5	4190	5	451.0	4323	5	699.2
4124	5	328.6	4158	5	391.4	4191	5	452.8	4324	5	701.1
4125	5	330.5	4159	5	393.2	4192	5	454.7	4325	5	702.9
4126	5	332.3				4193	5	456.5	4326	5	704.8
4127	5	334.2	4160	5	395.1	4194	5	458.4	4327	5	706.7
4128	5	336.0	4161	5	396.9	4195	5	460.3	4328	5	708.5
4129	5	337.8	4162	5	398.8	4196	5	462.1	4329	5	710.4
			4163	5	400.7	4197	5	464.0			
4130	5	339.7	4164	5	402.5	4198	5	465.9	4330	5	712.3
4131	5	341.5	4165	5	404.4	4199	5	467.7	4331	5	714.2
4132	5	343.4	4166	5	406.2				4332	5	716.0
4133	5	345.2	4167	5	408.1	4200	5	469.6	4333	5	717.9

Use check point at 4300 Kc

**TABLE 5-2. CALIBRATION OF RADIO TRANSMITTER
T-47A/ART-13 OR T-47/ART-13 WHEN MCW-CFI 8Q-2 UNIT
IS USED. (Continued)**

Frequency: 4400-4500 Kc

Freq.	A	B	Freq.	A	B	Freq.	A	B
4400	5	843.8	4434	5	906.1	4468	5	979.1
4401	5	844.9	4435	5	908.0	4469	5	970.9
4402	5	846.7	4436	5	909.8			
4403	5	848.6	4437	5	911.7	4470	5	972.8
4404	5	850.4	4438	5	913.5	4471	5	974.6
4405	5	852.3	4439	5	915.4	4472	5	976.5
4406	5	854.1				4473	5	978.3
4407	5	856.0	4440	5	917.2	4474	5	980.2
4408	5	857.8	4441	5	919.1	4475	5	982.0
4409	5	859.7	4442	5	921.0	4476	5	983.9
			4443	5	922.8	4477	5	985.7
4410	5	861.6	4444	5	924.7	4478	5	987.6
4411	5	863.4	4445	5	926.5	4479	5	989.4
4412	5	865.3	4446	5	928.4			
4413	5	867.1	4447	5	930.2	4480	5	991.2
4414	5	869.0	4448	5	932.1	4481	5	993.1
4415	5	870.8	4449	5	933.9	4482	5	994.9
4416	5	872.7				4483	5	996.8
4417	5	874.6	4450	5	938.8	4484	5	998.6
4418	5	876.4	4451	5	937.6	4485	5	1000.5
4419	5	878.3	4452	5	939.5	4486	5	1002.3
			4453	5	941.4	4487	5	1004.2
4420	5	880.1	4454	5	943.2	4488	5	1006.0
4421	5	882.0	4455	5	945.1	4489	5	1007.9
4422	5	883.8	4456	5	946.9			
4423	5	885.7	4457	5	948.8	4490	5	1009.7
4424	5	887.5	4458	5	950.6	4491	5	1011.6
4425	5	889.4	4459	5	952.5	4492	5	1013.5
4426	5	891.3				4493	5	1015.3
4427	5	893.1	4460	5	954.3	4494	5	1017.2
4428	5	895.0	4461	5	956.2	4495	5	1019.0
4429	5	896.8	4462	5	958.0	4496	5	1020.9
			4463	5	959.9	4497	5	1022.7
4430	5	898.7	4464	5	961.7	4498	5	1024.6
4431	5	900.5	4465	5	963.6	4499	5	1026.4
4432	5	902.4	4466	5	965.4			
4433	5	904.2	4467	5	967.3	4500	5	1028.3

Use check point at 4400 Kc

Frequency: 4600-4700 Kc

Freq.	A	B	Freq.	A	B	Freq.	A	B
4600	5	1211.8	4634	5	1273.9	4668	5	1336.2
4601	5	1213.6	4635	5	1275.7	4669	5	1338.0
4602	5	1215.4	4636	5	1277.5			
4603	5	1217.3	4637	5	1279.4	4670	5	1339.8
4604	5	1219.1	4638	5	1281.2	4671	5	1341.7
4605	5	1220.9	4639	5	1283.0	4672	5	1343.5
4606	5	1222.7				4673	5	1345.3
4607	5	1224.6	4640	5	1284.8	4674	5	1347.1
4608	5	1226.4	4641	5	1286.7	4675	5	1349.0
4609	5	1228.2	4642	5	1288.5	4676	5	1350.8
			4643	5	1290.3	4677	5	1352.6
4610	5	1230.0	4644	5	1292.2	4678	5	1354.5
4611	5	1231.9	4645	5	1294.0	4679	5	1356.3
4612	5	1233.7	4646	5	1295.8			
4613	5	1235.5	4647	5	1297.7	4680	5	1358.1
4614	5	1237.3	4648	5	1299.5	4681	5	1359.9
4615	5	1239.2	4649	5	1301.3	4682	5	1361.8
4616	5	1241.0				4683	5	1363.6
4617	5	1242.8	4650	5	1303.2	4684	5	1365.4
4618	5	1244.6	4651	5	1305.0	4685	5	1367.3
4619	5	1246.5	4652	5	1306.8	4686	5	1369.1
			4653	5	1308.7	4687	5	1370.9
4620	5	1248.3	4654	5	1310.5	4688	5	1372.7
4621	5	1250.1	4655	5	1312.4	4689	5	1374.6
4622	5	1252.0	4656	5	1314.2			
4623	5	1253.8	4657	5	1316.0	4690	5	1376.4
4624	5	1255.6	4658	5	1317.9	4691	5	1378.2
4625	5	1257.4	4659	5	1319.7	4692	5	1380.0
4626	5	1259.3				4693	5	1381.9
4627	5	1261.1	4660	5	1321.5	4694	5	1383.7
4628	5	1262.9	4661	5	1323.4	4695	5	1385.5
4629	5	1264.7	4662	5	1325.2	4696	5	1387.3
			4663	5	1327.0	4697	5	1389.2
4630	5	1266.6	4664	5	1328.8	4698	5	1391.0
4631	5	1268.4	4665	5	1330.7	4699	5	1392.8
4632	5	1270.2	4666	5	1332.5			
4633	5	1272.1	4667	5	1334.3	4700	5	1394.6

Use check point at 4600 Kc

Frequency: 4500-4600 Kc

Freq.	A	B	Freq.	A	B	Freq.	A	B
4500	5	1028.3	4534	5	1090.9	4568	5	1153.3
4501	5	1030.1	4535	5	1092.7	4569	5	1155.1
4502	5	1032.0	4536	5	1094.6			
4503	5	1033.8	4537	5	1096.4	4570	5	1156.9
4504	5	1035.7	4538	5	1098.2	4571	5	1158.8
4505	5	1037.5	4539	5	1100.1	4572	5	1160.6
4506	5	1039.4				4573	5	1162.4
4507	5	1041.2	4540	5	1101.9	4574	5	1164.2
4508	5	1043.1	4541	5	1103.7	4575	5	1166.1
4509	5	1044.9	4542	5	1105.6	4576	5	1167.9
			4543	5	1107.4	4577	5	1169.7
4510	5	1046.8	4544	5	1109.3	4578	5	1171.6
4511	5	1048.6	4545	5	1111.1	4579	5	1173.4
4512	5	1050.5	4546	5	1112.9			
4513	5	1052.3	4547	5	1114.8	4580	5	1175.2
4514	5	1054.2	4548	5	1116.6	4581	5	1177.1
4515	5	1056.0	4549	5	1118.4	4582	5	1178.9
4516	5	1057.9				4583	5	1180.7
4517	5	1059.7	4550	5	1120.3	4584	5	1182.5
4518	5	1061.6	4551	5	1122.1	4585	5	1184.4
4519	5	1063.4	4552	5	1123.9	4586	5	1186.2
			4553	5	1125.8	4587	5	1188.0
4520	5	1065.3	4554	5	1127.6	4588	5	1189.9
4521	5	1067.1	4555	5	1129.4	4589	5	1191.7
4522	5	1068.9	4556	5	1131.3			
4523	5	1070.8	4557	5	1133.1	4590	5	1193.5
4524	5	1072.6	4558	5	1134.9	4591	5	1195.3
4525	5	1074.4	4559	5	1136.8	4592	5	1197.2
4526	5	1076.3				4593	5	1199.0
4527	5	1078.1	4560	5	1138.6	4594	5	1200.8
4528	5	1079.9	4561	5	1140.4	4595	5	1202.6
4529	5	1081.8	4562	5	1142.3	4596	5	1204.5
			4563	5	1144.1	4597	5	1206.3
4530	5	1083.6	4564	5	1145.9	4598	5	1208.1
4531	5	1085.4	4565	5	1147.8	4599	5	1210.0
4532	5	1087.3	4566	5	1149.6			
4533	5	1089.1	4567	5	1151.4	4600	5	1211.8

Use check point at 4500 Kc

Frequency: 4700-4800 Kc

Freq.	A	B	Freq.	A	B	Freq.	A	B
4700	5	1394.6	4734	5	1466.9	4768	5	1519.6
4701	5	1396.5	4735	5	1468.7	4769	5	1521.4
4702	5	1398.3	4736	5	1466.6			
4703	5	1400.1	4737	5	1462.4	4770	5	1523.3
4704	5	1402.0	4738	5	1464.2	4771	5	1525.1
4705	5	1403.8	4739	5	1466.0	4772	5	1527.0
4706	5	1405.7				4773	5	1528.8
4707	5	1407.5	4740	5	1467.9	4774	5	1530.7
4708	5	1409.3	4741	5	1469.7	4775	5	1532.5
4709	5	1411.2	4742	5	1471.6	4776	5	1534.3
			4743	5	1473.4	4777	5	1536.2
4710	5	1413.0	4744	5	1475.3	4778	5	1538.0
4711	5	1414.8	4745	5	1477.1	4779	5	1539.9
4712	5	1416.7	4746	5	1479.0			
4713	5	1418.5	4747	5	1480.8	4780	5	1541.7
4714	5	1420.3	4748	5	1482.7	4781	5	1543.6
4715	5	1422.2	4749	5	1484.5	4782	5	1545.4
4716	5	1424.0				4783	5	1547.3
4717	5	1425.9	4750	5	1486.4	4784	5	1549.1
4718	5	1427.7	4751	5	1488.2	4785	5	1551.0
4719	5	1429.5	4752	5	1490.0	4786	5	1552.9
			4753	5	1491.9	4787	5	1554.7
4720	5	1431.4	4754	5	1493.7	4788	5	1556.6
4721	5	1433.2	4755	5	1495.6	4789	5	1558.4
4722	5	1435.0	4756	5	1497.4			
4723	5	1436.8	4757	5	1499.3	4790	5	1560.3
4724	5	1438.7	4758	5	1501.1	4791	5	1562.1
4725	5	1440.5	4759	5	1503.0	4792	5	1564.0
4726	5	1442.3				4793	5	1565.9
4727	5	1444.1	4760	5	1504.8	4794	5	1567.7
4728	5	1446.0	4761	5	1506.7	4795	5	1569.6
4729	5	1447.8	4762	5	1508.5	4796	5	1571.4
			4763	5	1510.4	4797	5	1573.3
4730	5	1449.6	4764	5	1512.2	4798	5	1575.1
4731	5	1451.4	4765	5	1514.1	4799		

AN 08-30 ART 13-3

**TABLE 5-2. CALIBRATION OF RADIO TRANSMITTER
T-47A/ART-13 OR T-47/ART-13 WHEN MCW-CFI 8Q-2 UNIT
IS USED. (Continued)**

Frequency: 4800-4900 Kc

Freq.	A	B	Freq.	A	B	Freq.	A	B
4800	6	60.0	4834	6	112.1	4868	6	164.0
4801	6	61.5	4835	6	113.7	4869	6	165.5
4802	6	63.1	4836	6	115.2			
4803	6	64.6	4837	6	116.7	4870	6	167.0
4804	6	66.1	4838	6	118.3	4871	6	168.5
4805	6	67.7	4839	6	119.8	4872	6	170.0
4806	6	69.2				4873	6	171.6
4807	6	70.7	4840	6	121.3	4874	6	173.1
4808	6	72.3	4841	6	122.8	4875	6	174.6
4809	6	73.8	4842	6	124.4	4876	6	176.1
			4843	6	125.9	4877	6	177.6
4810	6	75.3	4844	6	127.4	4878	6	179.1
4811	6	76.9	4845	6	128.9	4879	6	180.7
4812	6	78.4	4846	6	130.5			
4813	6	79.9	4847	6	132.0	4880	6	182.2
4814	6	81.5	4848	6	133.5	4881	6	183.7
4815	6	83.0	4849	6	135.0	4882	6	185.2
4816	6	84.5				4883	6	186.7
4817	6	86.1	4850	6	136.6	4884	6	188.3
4818	6	87.6	4851	6	138.1	4885	6	189.8
4819	6	89.1	4852	6	139.6	4886	6	191.3
			4853	6	141.1	4887	6	192.8
4820	6	90.7	4854	6	142.7	4888	6	194.3
4821	6	92.2	4855	6	144.2	4889	6	195.9
4822	6	93.7	4856	6	145.7			
4823	6	95.3	4857	6	147.2	4890	6	197.4
4824	6	96.8	4858	6	148.8	4891	6	198.9
4825	6	98.3	4859	6	150.3	4892	6	200.4
4826	6	99.9				4893	6	202.0
4827	6	101.4	4860	6	151.8	4894	6	203.5
4828	6	102.9	4861	6	153.3	4895	6	205.0
4829	6	104.5	4862	6	154.9	4896	6	206.5
			4863	6	156.4	4897	6	208.0
4830	6	106.0	4864	6	157.9	4898	6	209.6
4831	6	107.5	4865	6	159.4	4899	6	211.1
4832	6	109.1	4866	6	160.9			
4833	6	110.6	4867	6	162.4	4900	6	212.6

Use check point at 4800 Kc

Frequency: 5000-5100 Kc

Freq.	A	B	Freq.	A	B	Freq.	A	B
5000	6	365.2	5034	6	417.2	5068	6	469.5
5001	6	366.7	5035	6	418.7	5069	6	471.0
5002	6	368.2	5036	6	420.2			
5003	6	369.7	5037	6	421.8	5070	6	472.5
5004	6	371.3	5038	6	423.3	5071	6	474.1
5005	6	372.8	5039	6	424.8	5072	6	475.6
5006	6	374.3				5073	6	477.1
5007	6	375.8	5040	6	426.4	5074	6	478.6
5008	6	377.3	5041	6	427.9	5075	6	480.2
5009	6	378.9	5042	6	429.5	5076	6	481.7
			5043	6	431.0	5077	6	483.2
5010	6	380.4	5044	6	432.6	5078	6	484.8
5011	6	381.9	5045	6	434.1	5079	6	486.3
5012	6	383.4	5046	6	435.6			
5013	6	385.0	5047	6	437.2	5080	6	487.8
5014	6	386.5	5048	6	438.7	5081	6	489.4
5015	6	388.0	5049	6	440.3	5082	6	490.9
5016	6	389.5				5083	6	492.5
5017	6	391.1	5050	6	441.8	5084	6	494.0
5018	6	392.6	5051	6	443.4	5085	6	495.6
5019	6	394.1	5052	6	444.9	5086	6	497.2
			5053	6	446.4	5087	6	498.7
5020	6	395.6	5054	6	448.0	5088	6	500.3
5021	6	397.2	5055	6	449.5	5089	6	501.8
5022	6	398.7	5056	6	451.1			
5023	6	400.2	5057	6	452.6	5090	6	503.4
5024	6	401.8	5058	6	454.2	5091	6	504.9
5025	6	403.3	5059	6	455.7	5092	6	506.5
5026	6	404.8				5093	6	508.0
5027	6	406.4	5060	6	457.2	5094	6	509.6
5028	6	407.9	5061	6	458.8	5095	6	511.1
5029	6	409.5	5062	6	460.3	5096	6	512.7
			5063	6	461.8	5097	6	514.3
5030	6	411.0	5064	6	463.4	5098	6	515.8
5031	6	412.5	5065	6	464.9	5099	6	517.4
5032	6	414.1	5066	6	466.4			
5033	6	415.6	5067	6	467.9	5100	6	518.9

Use check point at 5000 Kc

Frequency: 4900-5000 Kc

Freq.	A	B	Freq.	A	B	Freq.	A	B
4900	6	212.6	4934	6	264.3	4968	6	316.1
4901	6	214.1	4935	6	265.9	4969	6	317.7
4902	6	215.6	4936	6	267.4			
4903	6	217.2	4937	6	268.9	4970	6	319.2
4904	6	218.7	4938	6	270.4	4971	6	320.7
4905	6	220.2	4939	6	272.0	4972	6	322.2
4906	6	221.7				4973	6	323.8
4907	6	223.2	4940	6	273.5	4974	6	325.3
4908	6	224.7	4941	6	275.0	4975	6	326.8
4909	6	226.3	4942	6	276.5	4976	6	328.4
			4943	6	278.1	4977	6	329.9
4910	6	227.8	4944	6	279.6	4978	6	331.4
4911	6	229.3	4945	6	281.1	4979	6	333.0
4912	6	230.8	4946	6	282.6			
4913	6	232.3	4947	6	284.1	4980	6	334.5
4914	6	233.9	4948	6	285.7	4981	6	336.0
4915	6	235.4	4949	6	287.2	4982	6	337.5
4916	6	236.9				4983	6	339.1
4917	6	238.4	4950	6	288.7	4984	6	340.6
4918	6	239.9	4951	6	290.2	4985	6	342.2
4919	6	241.4	4952	6	291.7	4986	6	343.7
			4953	6	293.3	4987	6	345.2
4920	6	243.0	4954	6	294.8	4988	6	346.8
4921	6	244.5	4955	6	296.3	4989	6	348.3
4922	6	246.0	4956	6	297.8			
4923	6	247.5	4957	6	299.3	4990	6	349.8
4924	6	249.1	4958	6	300.9	4991	6	351.4
4925	6	250.6	4959	6	302.4	4992	6	352.9
4926	6	252.1				4993	6	354.4
4927	6	253.6	4960	6	303.9	4994	6	356.0
4928	6	255.2	4961	6	305.4	4995	6	357.5
4929	6	256.7	4962	6	307.0	4996	6	359.0
			4963	6	308.5	4997	6	360.6
4930	6	258.2	4964	6	310.0	4998	6	362.1
4931	6	259.8	4965	6	311.5	4999	6	363.6
4932	6	261.3	4966	6	313.1			
4933	6	262.8	4967	6	314.6	5000	6	365.2

Use check point at 5000 Kc

Frequency: 5100-5200 Kc

Freq.	A	B	Freq.	A	B	Freq.	A	B
5100	6	518.9	5134	6	571.3	5168	6	623.9
5101	6	520.5	5135	6	572.9	5169	6	625.5
5102	6	522.0	5136	6	574.4			
5103	6	523.5	5137	6	576.0	5170	6	627.0
5104	6	525.1	5138	6	577.5	5171	6	628.6
5105	6	526.6	5139	6	579.0	5172	6	630.1
5106	6	528.2				5173	6	631.7
5107	6	529.7	5140	6	580.6	5174	6	633.2
5108	6	531.2	5141	6	582.1	5175	6	634.8
5109	6	532.8	5142	6	583.7	5176	6	636.3
			5143	6	585.2	5177	6	637.9
5110	6	534.3	5144	6	586.8	5178	6	639.4
5111	6	535.9	5145	6	588.3	5179	6	641.0
5112	6	537.4	5146	6	589.9			
5113	6	538.9	5147	6	591.4	5180	6	642.5
5114	6	540.5	5148	6	593.0	5181	6	644.0
5115	6	542.0	5149	6	594.5	5182	6	645.6
5116	6	543.6				5183	6	647.1
5117	6	545.1	5150	6	596.1	5184	6	648.7
5118	6	546.6	5151	6	597.6	5185	6	650.2
5119	6	548.2	5152	6	599.2	5186	6	651.8
			5153	6	600.7	5187	6	653.3
5120	6	549.7	5154	6	602.3	5188	6	654.9
5121	6	551.3	5155	6	603.8	5189	6	656.4
5122	6	552.8	5156	6	605.4			
5123	6	554.3	5157	6	606.9	5190	6	658.0
5124	6	555.9	5158	6	608.5	5191	6	659.5
5125	6	557.4	5159	6	610.0	5192	6	661.1
5126	6	559.0				5193	6	662.6
5127	6	560.5	5160	6	611.6	5194	6	664.1
5128	6	562.1	5161	6	613.1	5195	6	665.7
5129	6	563.6	5162	6	614.7	5196	6	667.2
			5163	6	616.2	5197	6	668.8
5130	6	565.2	5164	6	617.8	5198	6	670.3
5131	6	566.7	5165	6	619.3	5199	6	671.9
5132	6	568.2	5166	6	620.9			
5133	6	569.8	5167	6	622.4	5200	6	673.4

Use check point at 5200 Kc

SECTION V

AN 08-30 ART 13-3

**TABLE 5-2. CALIBRATION OF RADIO TRANSMITTER
T-47A/ART-13 OR T-47/ART-13 WHEN MCW-CFI 8Q-2 UNIT
IS USED. (Continued)**

Frequency: 5200-5300 Kc						Frequency: 5400-5500 Kc					
Freq.	A	B	Freq.	A	B	Freq.	A	B	Freq.	A	B
5200	6	673.4	5234	6	726.0	5268	6	778.3	5400	6	981.4
5201	6	675.0	5235	6	727.5	5269	6	779.9	5401	6	982.9
5202	6	676.5	5236	6	729.1				5402	6	984.4
5203	6	678.0	5237	6	730.6	5270	6	781.4	5403	6	986.0
5204	6	679.6	5238	6	732.2	5271	6	783.0	5404	6	987.5
5205	6	681.1	5239	6	733.7	5272	6	784.5	5405	6	989.0
5206	6	682.7				5273	6	786.0	5406	6	990.5
5207	6	684.2	5240	6	735.3	5274	6	787.6	5407	6	992.1
5208	6	685.7	5241	6	736.8	5275	6	789.1	5408	6	993.6
5209	6	687.3	5242	6	738.3	5276	6	790.7	5409	6	995.1
			5243	6	739.9	5277	6	792.2			
5210	6	688.8	5244	6	741.4	5278	6	793.8	5410	6	996.7
5211	6	690.4	5245	6	742.9	5279	6	795.3	5411	6	998.2
5212	6	691.9	5246	6	744.5				5412	6	999.7
5213	6	693.5	5247	6	746.0	5280	6	796.9	5413	6	1001.3
5214	6	695.0	5248	6	747.5	5281	6	798.4	5414	6	1002.8
5215	6	696.5	5249	6	749.1	5282	6	800.0	5415	6	1004.3
5216	6	698.1				5283	6	801.5	5416	6	1005.8
5217	6	699.6	5250	6	750.6	5284	6	803.1	5417	6	1007.4
5218	6	701.2	5251	6	752.1	5285	6	804.6	5418	6	1008.9
5219	6	702.7	5252	6	753.7	5286	5	806.2	5419	6	1010.4
			5253	6	755.2	5287	5	807.7			
5220	6	704.2	5254	6	756.8	5288	6	809.3	5420	6	1012.0
5221	6	705.8	5255	6	758.3	5289	6	810.9	5421	6	1013.5
5222	6	707.3	5256	6	759.8				5422	6	1015.0
5223	6	708.9	5257	6	761.4	5290	6	812.4	5423	6	1016.5
5224	6	710.4	5258	6	762.9	5291	6	814.0	5424	6	1018.1
5225	6	712.0	5259	6	764.4	5292	6	815.5	5425	6	1019.6
5226	6	713.5				5293	6	817.1	5426	6	1021.1
5227	6	715.1	5260	6	766.0	5294	6	818.6	5427	6	1022.6
5228	6	716.6	5261	6	767.5	5295	6	820.2	5428	6	1024.2
5229	6	718.2	5262	6	769.1	5296	6	821.7	5429	6	1025.7
			5263	6	770.6	5297	6	823.3			
5230	6	719.8	5264	6	772.1	5298	6	824.9	5430	6	1027.2
5231	6	721.3	5265	6	773.7	5299	6	826.4	5431	6	1028.7
5232	6	722.9	5266	6	775.2				5432	6	1030.3
5233	6	724.4	5267	6	776.8	5300	6	828.0	5433	6	1031.8

Use check point at 5200 Kc

Frequency: 5300-5400 Kc						Frequency: 5500-5600 Kc					
Freq.	A	B	Freq.	A	B	Freq.	A	B	Freq.	A	B
5300	6	828.0	5334	6	880.0	5368	6	932.3	5500	6	1133.8
5301	6	829.5	5335	6	881.5	5369	6	933.8	5501	6	1135.4
5302	6	831.0	5336	6	883.1				5502	6	1136.9
5303	6	832.6	5337	6	884.6	5370	6	935.3	5503	6	1138.4
5304	6	834.1	5338	6	886.1	5371	6	936.9	5504	6	1139.9
5305	6	835.7	5339	6	887.6	5372	6	938.4	5505	6	1141.4
5306	6	837.2				5373	6	939.9	5506	6	1143.0
5307	6	838.7	5340	6	889.1	5374	6	941.5	5507	6	1144.5
5308	6	840.3	5341	6	890.7	5375	6	943.0	5508	6	1146.0
5309	6	841.8	5342	6	892.2	5376	6	944.5	5509	6	1147.5
			5343	6	893.8	5377	6	946.1			
5310	6	843.4	5344	6	895.3	5378	6	947.6	5510	6	1149.0
5311	6	844.9	5345	6	896.9	5379	6	949.1	5511	6	1150.5
5312	6	846.4	5346	6	898.4				5512	6	1152.1
5313	6	848.0	5347	6	899.9	5380	6	950.7	5513	6	1153.6
5314	6	849.5	5348	6	901.5	5381	6	952.2	5514	6	1155.1
5315	6	851.1	5349	6	903.0	5382	6	953.7	5515	6	1156.6
5316	6	852.6				5383	6	955.3	5516	6	1158.1
5317	6	854.1	5350	6	904.6	5384	6	956.8	5517	6	1159.7
5318	6	855.7	5351	6	906.1	5385	6	958.3	5518	6	1161.2
5319	6	857.2	5352	6	907.7	5386	6	959.9	5519	6	1162.7
			5353	6	909.2	5387	6	961.4			
5320	6	858.8	5354	6	910.8	5388	6	962.9	5520	6	1164.2
5321	6	860.3	5355	6	912.3	5389	6	964.5	5521	6	1165.7
5322	6	861.8	5356	6	913.8				5522	6	1167.2
5323	6	863.3	5357	6	915.4	5390	6	966.0	5523	6	1168.8
5324	6	864.8	5358	6	916.9	5391	6	967.5	5524	6	1170.3
5325	6	866.4	5359	6	918.5	5392	6	969.1	5525	6	1171.8
5326	6	867.9				5393	6	970.6	5526	6	1173.3
5327	6	869.4	5360	6	920.0	5394	6	972.2	5527	6	1174.8
5328	6	870.9	5361	6	921.5	5395	6	973.7	5528	6	1176.3
5329	6	872.4	5362	6	923.1	5396	6	975.2	5529	6	1177.8
			5363	6	924.6	5397	6	976.8			
5330	6	874.0	5364	6	926.1	5398	6	978.3	5530	6	1179.3
5331	6	875.5	5365	6	927.7	5399	6	979.8	5531	6	1180.8
5332	6	877.0	5366	6	929.2				5532	6	1182.4
5333	6	878.5	5367	6	930.7	5400	6	981.4	5533	6	1183.9

Use check point at 5400 Kc

Use check point at 5600 Kc

AN 08-30 ART 13-3

**TABLE 5-2. CALIBRATION OF RADIO TRANSMITTER
T-47A/ART-13 OR T-47/ART-13 WHEN MCW-CFI 8Q-2 UNIT
IS USED. (Continued)**

Frequency: 5600-5700 Kc						Frequency: 5800-5900 Kc					
Freq.	A	B	Freq.	A	B	Freq.	A	B	Freq.	A	B
5600	6	1285.3	5634	6	1336.9	5668	6	1388.4	5800	6	1590.1
5601	6	1286.8	5635	6	1338.4	5669	6	1389.9	5801	6	1591.6
5602	6	1288.3	5636	6	1339.9				5802	6	1593.2
5603	6	1289.9	5637	6	1341.4	5670	6	1391.4	5803	6	1594.7
5604	6	1291.4	5638	6	1342.9	5671	6	1393.0	5804	6	1596.3
5605	6	1292.9	5639	6	1344.4	5672	6	1394.5	5805	6	1597.8
5606	6	1294.4				5673	6	1396.0	5806	6	1599.4
5607	6	1295.9	5640	6	1346.0	5674	6	1397.5	5807	6	1600.9
5608	6	1297.4	5641	6	1347.5	5675	6	1399.0	5808	6	1602.5
5609	6	1299.0	5642	6	1349.0	5676	6	1400.5	5809	6	1604.0
			5643	6	1350.5	5677	6	1402.1			
5610	6	1300.5	5644	6	1352.0	5678	6	1403.6	5810	6	1605.6
5611	6	1302.0	5645	6	1353.5	5679	6	1405.1	5811	6	1607.1
5612	6	1303.5	5646	6	1355.1				5812	6	1608.7
5613	6	1305.0	5647	6	1356.6	5680	6	1406.6	5813	6	1610.2
5614	6	1306.6	5648	6	1358.1	5681	6	1408.1	5814	6	1611.8
5615	6	1308.1	5649	6	1359.6	5682	6	1409.6	5815	6	1613.3
5616	6	1309.6				5683	6	1411.2	5816	6	1614.9
5617	6	1311.1	5650	6	1361.1	5684	6	1412.7	5817	6	1616.4
5618	6	1312.6	5651	6	1362.6	5685	6	1414.2	5818	6	1618.0
5619	6	1314.1	5652	6	1364.2	5686	6	1415.7	5819	6	1619.5
			5653	6	1365.7	5687	6	1417.3			
5620	6	1315.7	5654	6	1367.2	5688	6	1418.8	5820	6	1621.1
5621	6	1317.2	5655	6	1368.7	5689	6	1420.3	5821	6	1622.6
5622	6	1318.7	5656	6	1370.2				5822	6	1624.2
5623	6	1320.2	5657	6	1371.7	5690	6	1421.8	5823	6	1625.7
5624	6	1321.7	5658	6	1373.2	5691	6	1423.4	5824	6	1627.3
5625	6	1323.2	5659	6	1374.8	5692	6	1424.9	5825	6	1628.9
5626	6	1324.8				5693	6	1426.4	5826	6	1630.4
5627	6	1326.3	5660	6	1376.3	5694	6	1427.9	5827	6	1632.0
5628	6	1327.8	5661	6	1377.8	5695	6	1429.4	5828	6	1633.5
5629	6	1329.3	5662	6	1379.3	5696	6	1431.0	5829	6	1635.1
			5663	6	1380.8	5697	6	1432.5			
5630	6	1330.8	5664	6	1382.3	5698	6	1434.0	5830	6	1636.7
5631	6	1332.3	5665	6	1383.9	5699	6	1435.5	5831	6	1638.2
5632	6	1333.8	5666	6	1385.4				5832	6	1639.8
5633	6	1335.4	5667	6	1386.9	5700	6	1437.1	5833	6	1641.3

Use check point at 5600 Kc

Frequency: 5700-5800 Kc						Frequency: 5900-6000 Kc					
Freq.	A	B	Freq.	A	B	Freq.	A	B	Freq.	A	B
5700	6	1437.1	5734	6	1488.9	5768	6	1540.9	5900	6	1746.8
5701	6	1438.6	5735	6	1490.4	5769	6	1542.5	5901	6	1748.4
5702	6	1440.1	5736	6	1491.9				5902	6	1750.0
5703	6	1441.6	5737	6	1493.5	5770	6	1544.0	5903	6	1751.6
5704	6	1443.2	5738	6	1495.0	5771	6	1545.5	5904	6	1753.2
5705	6	1444.7	5739	6	1496.5	5772	6	1547.0	5905	6	1754.8
5706	6	1446.2				5773	6	1548.6	5906	6	1756.4
5707	6	1447.8	5740	6	1498.0	5774	6	1550.1	5907	6	1758.0
5708	6	1449.3	5741	6	1499.6	5775	6	1551.6	5908	6	1759.6
5709	6	1450.8	5742	6	1501.1	5776	6	1553.2	5909	6	1761.2
			5743	6	1502.6	5777	6	1554.7			
5710	6	1452.4	5744	6	1504.2	5778	6	1556.2	5910	6	1762.8
5711	6	1453.9	5745	6	1505.7	5779	6	1557.8	5911	6	1764.4
5712	6	1455.4	5746	6	1507.2				5912	6	1766.0
5713	6	1456.9	5747	6	1508.8	5780	6	1559.3	5913	6	1767.7
5714	6	1458.5	5748	6	1510.3	5781	6	1560.8	5914	6	1769.3
5715	6	1460.0	5749	6	1511.8	5782	6	1562.4	5915	6	1770.9
5716	6	1461.5				5783	6	1563.9	5916	6	1772.5
5717	6	1463.1	5750	6	1513.4	5784	6	1565.4	5917	6	1774.1
5718	6	1464.6	5751	6	1514.9	5785	6	1567.0	5918	6	1775.7
5719	6	1466.1	5752	6	1516.4	5786	6	1568.5	5919	6	1777.3
			5753	6	1517.9	5787	6	1570.1			
5720	6	1467.6	5754	6	1519.5	5788	6	1571.6	5920	6	1778.9
5721	6	1469.2	5755	6	1521.0	5789	6	1573.1	5921	6	1780.5
5722	6	1470.7	5756	6	1522.5				5922	6	1782.1
5723	6	1472.2	5757	6	1524.1	5790	6	1574.7	5923	6	1783.7
5724	6	1473.7	5758	6	1525.6	5791	6	1576.2	5924	6	1785.3
5725	6	1475.2	5759	6	1527.1	5792	6	1577.8	5925	6	1787.0
5726	6	1476.8				5793	6	1579.3	5926	6	1788.6
5727	6	1478.3	5760	6	1528.7	5794	6	1580.8	5927	6	1790.2
5728	6	1479.8	5761	6	1530.2	5795	6	1582.4	5928	6	1791.8
5729	6	1481.3	5762	6	1531.7	5796	6	1583.9	5929	6	1793.4
			5763	6	1533.3	5797	6	1585.5			
5730	6	1482.8	5764	6	1534.8	5798	6	1587.0	5930	6	1795.0
5731	6	1484.3	5765	6	1536.3	5799	6	1588.5	5931	6	1796.6
5732	6	1485.9	5766	6	1537.9				5932	6	1798.3
5733	6	1487.4	5767	6	1539.4	5800	6	1590.1	5933	6	1799.9

Use check point at 5900 Kc

SECTION V

AN 08-30 ART 13-3

**TABLE 5-2. CALIBRATION OF RADIO TRANSMITTER
T-47A/ART-13 OR T-47/ART-13 WHEN MCW-CFI 8Q-2 UNIT
IS USED. (Continued)**

Frequency: 6000-6100 Kc

Freq.	A	B	Freq.	A	B	Freq.	A	B
6000	7	100.1	6034	7	142.0	6068	7	183.8
6001	7	101.4	6035	7	143.3	6069	7	185.0
6002	7	102.8	6036	7	144.5			
6003	7	103.8	6037	7	145.7	6070	7	186.2
6004	7	105.1	6038	7	147.0	6071	7	187.4
6005	7	106.3	6039	7	148.2	6072	7	188.7
6006	7	107.5				6073	7	189.9
6007	7	108.8	6040	7	149.4	6074	7	191.1
6008	7	110.0	6041	7	150.6	6075	7	192.3
6009	7	111.2	6042	7	151.9	6076	7	193.6
			6043	7	153.1	6077	7	194.8
6010	7	112.5	6044	7	154.3	6078	7	196.0
6011	7	113.7	6045	7	155.5	6079	7	197.2
6012	7	114.9	6046	7	156.8			
6013	7	116.2	6047	7	158.0	6080	7	198.5
6014	7	117.4	6048	7	159.2	6081	7	199.7
6015	7	118.6	6049	7	160.5	6082	7	200.9
6016	7	119.9				6083	7	202.1
6017	7	121.1	6050	7	161.7	6084	7	203.3
6018	7	122.3	6051	7	162.9	6085	7	204.6
6019	7	123.6	6052	7	164.1	6086	7	205.8
			6053	7	165.4	6087	7	207.0
6020	7	124.8	6054	7	166.6	6088	7	208.2
6021	7	126.0	6055	7	167.8	6089	7	209.5
6022	7	127.3	6056	7	169.1			
6023	7	128.5	6057	7	170.3	6090	7	210.7
6024	7	129.7	6058	7	171.5	6091	7	211.9
6025	7	131.0	6059	7	172.7	6092	7	213.1
6026	7	132.2				6093	7	214.4
6027	7	133.4	6060	7	174.0	6094	7	215.6
6028	7	134.7	6061	7	175.2	6095	7	216.8
6029	7	135.9	6062	7	176.4	6096	7	218.0
			6063	7	177.6	6097	7	219.3
6030	7	137.1	6064	7	178.9	6098	7	220.5
6031	7	138.4	6065	7	180.1	6099	7	221.7
6032	7	139.6	6066	7	181.3			
6033	7	140.8	6067	7	182.5	6100	7	222.9

Use check point at 6000 Kc

Frequency: 6200-6300 Kc

Freq.	A	B	Freq.	A	B	Freq.	A	B
6200	7	345.8	6234	7	387.7	6268	7	429.9
6201	7	347.1	6235	7	388.9	6269	7	431.1
6202	7	348.3	6236	7	390.1			
6203	7	349.5	6237	7	391.4	6270	7	432.3
6204	7	350.8	6238	7	392.6	6271	7	433.6
6205	7	352.0	6239	7	393.8	6272	7	434.8
6206	7	353.2				6273	7	436.1
6207	7	354.4	6240	7	395.1	6274	7	437.3
6208	7	355.7	6241	7	396.3	6275	7	438.5
6209	7	356.9	6242	7	397.5	6276	7	439.8
			6243	7	398.8	6277	7	441.0
6210	7	358.1	6244	7	400.0	6278	7	442.3
6211	7	359.4	6245	7	401.3	6279	7	443.5
6212	7	360.6	6246	7	402.5			
6213	7	361.8	6247	7	403.8	6280	7	444.8
6214	7	363.1	6248	7	405.0	6281	7	446.0
6215	7	364.3	6249	7	406.2	6282	7	447.2
6216	7	365.5				6283	7	448.5
6217	7	366.8	6250	7	407.5	6284	7	449.7
6218	7	368.0	6251	7	408.7	6285	7	451.0
6219	7	369.2	6252	7	410.0	6286	7	452.2
			6253	7	411.2	6287	7	453.4
6220	7	370.4	6254	7	412.5	6288	7	454.7
6221	7	371.7	6255	7	413.7	6289	7	455.9
6222	7	372.9	6256	7	414.9			
6223	7	374.1	6257	7	416.2	6290	7	457.2
6224	7	375.4	6258	7	417.4	6291	7	458.4
6225	7	376.6	6259	7	418.7	6292	7	459.6
6226	7	377.8				6293	7	460.9
6227	7	379.1	6260	7	419.9	6294	7	462.1
6228	7	380.3	6261	7	421.2	6295	7	463.4
6229	7	381.5	6262	7	422.4	6296	7	464.6
			6263	7	423.6	6297	7	465.9
6230	7	382.8	6264	7	424.9	6298	7	467.1
6231	7	384.0	6265	7	426.1	6299	7	468.3
6232	7	385.2	6266	7	427.4			
6233	7	386.4	6267	7	428.6	6300	7	469.6

Use check point at 6300 Kc

Frequency: 6100-6200 Kc

Freq.	A	B	Freq.	A	B	Freq.	A	B
6100	7	222.9	6134	7	264.6	6168	7	306.5
6101	7	224.2	6135	7	265.9	6169	7	307.7
6102	7	225.4	6136	7	267.1			
6103	7	226.6	6137	7	268.3	6170	7	308.9
6104	7	227.8	6138	7	269.6	6171	7	310.2
6105	7	229.1	6139	7	270.8	6172	7	311.4
6106	7	230.3				6173	7	312.6
6107	7	231.5	6140	7	272.0	6174	7	313.8
6108	7	232.7	6141	7	273.2	6175	7	315.1
6109	7	234.0	6142	7	274.5	6176	7	316.3
			6143	7	275.7	6177	7	317.5
6110	7	235.2	6144	7	276.9	6178	7	318.8
6111	7	236.4	6145	7	278.2	6179	7	320.0
6112	7	237.6	6146	7	279.4			
6113	7	238.9	6147	7	280.6	6180	7	321.2
6114	7	240.1	6148	7	281.8	6181	7	322.5
6115	7	241.3	6149	7	283.1	6182	7	323.7
6116	7	242.5				6183	7	324.9
6117	7	243.8	6150	7	284.3	6184	7	326.2
6118	7	245.0	6151	7	285.5	6185	7	327.4
6119	7	246.2	6152	7	286.8	6186	7	328.6
			6153	7	288.0	6187	7	329.8
6120	7	247.4	6154	7	289.2	6188	7	331.1
6121	7	248.7	6155	7	290.5	6189	7	332.3
6122	7	249.9	6156	7	291.7			
6123	7	251.1	6157	7	292.9	6190	7	333.5
6124	7	252.4	6158	7	294.2	6191	7	334.8
6125	7	253.6	6159	7	295.4	6192	7	336.0
6126	7	254.8				6193	7	337.2
6127	7	256.0	6160	7	296.6	6194	7	338.5
6128	7	257.3	6161	7	297.8	6195	7	339.7
6129	7	258.5	6162	7	299.1	6196	7	340.9
			6163	7	300.3	6197	7	342.1
6130	7	259.7	6164	7	301.5	6198	7	343.4
6131	7	261.0	6165	7	302.8	6199	7	344.6
6132	7	262.2	6166	7	304.0			
6133	7	263.4	6167	7	305.2	6200	7	345.8

Use check point at 6000 or 6300 Kc, whichever is nearer

Frequency: 6300-6400 Kc

Freq.	A	B	Freq.	A	B	Freq.	A	B
6300	7	469.6	6334	7	511.7	6368	7	554.1
6301	7	470.8	6335	7	513.0	6369	7	555.3
6302	7	472.0	6336	7	514.2			
6303	7	473.3	6337	7	515.4	6370	7	556.6
6304	7	474.5	6338	7	516.7	6371	7	557.8
6305	7	475.8	6339	7	517.9	6372	7	559.0
6306	7	477.0				6373	7	560.3
6307	7	478.2	6340	7	519.2	6374	7	561.5
6308	7	479.5	6341	7	520.4	6375	7	562.8
6309	7	480.7	6342	7	521.7	6376	7	564.0
			6343	7	522.9	6377	7	565.3
6310	7	482.0	6344	7	524.2	6378	7	566.5
6311	7	483.2	6345	7	525.4	6379	7	567.7
6312	7	484.4	6346	7	526.7			
6313	7	485.7	6347	7	527.9	6380	7	569.0
6314	7	486.9	6348	7	529.2	6381	7	570.2
6315	7	488.1	6349	7	530.4	6382	7	571.5
6316	7	489.4				6383	7	572.7
6317	7	490.6	6350	7	531.7	6384	7	574.0
6318	7	491.9	6351	7	532.9	6385	7	575.2
6319	7	493.1	6352	7	534.2	6386	7	576.4
			6353	7	535.4	6387	7	577.7
6320	7	494.3	6354	7	536.6	6388	7	578.9
6321	7	495.6	6355	7	537.9	6389	7	580.2
6322	7	496.8	6356	7	539.1			
6323	7	498.1	6357	7	540.4	6390	7	581.4
6324	7	499.3	6358	7	541.6	6391	7	582.7
6325	7	500.5	6359	7	542.9	6392	7	583.9
6326	7	501.8				6393	7	585.2
6327	7	503.0	6360	7	544.1	6394	7	586.4
6328	7	504.2	6361	7	545.4	6395	7	587.7
6329	7	505.5	6362	7	546.6	6396	7	588.9
			6363	7	547.9	6397	7	590.1
6330	7	506.7	6364	7	549.1	6398	7	591.4
6331	7	508.0	6365	7	550.3	6399	7	592.6
6332	7	509.2	6366	7	551.6			
6333	7	510.5	6367	7	552.8	6400	7	593.9

Use check point at 6300 Kc

AN 08-30 ART 13-3

**TABLE 5-2. CALIBRATION OF RADIO TRANSMITTER
T-47A/ART-13 OR T-47/ART-13 WHEN MCW-CFI 8Q-2 UNIT
IS USED. (Continued)**

Frequency: 6400-6500 Kc						Frequency: 6600-6700 Kc					
Freq.	A	B	Freq.	A	B	Freq.	A	B	Freq.	A	B
6400	7	593.9	6434	7	636.3	6468	7	678.6	6600	7	843.0
6401	7	595.1	6435	7	637.5	6469	7	679.9	6601	7	844.2
6402	7	596.4	6436	7	638.8				6602	7	845.4
6403	7	597.6	6437	7	640.0	6470	7	681.1	6603	7	846.7
6404	7	598.9	6438	7	641.3	6471	7	682.4	6604	7	847.9
6405	7	600.1	6439	7	642.5	6472	7	683.6	6605	7	849.2
6406	7	601.4				6473	7	684.9	6606	7	850.4
6407	7	602.6	6440	7	643.8	6474	7	686.1	6607	7	851.7
6408	7	603.9	6441	7	645.0	6475	7	687.4	6608	7	852.9
6409	7	605.1	6442	7	646.3	6476	7	688.6	6609	7	854.1
			6443	7	647.5	6477	7	689.8			
6410	7	606.4	6444	7	648.8	6478	7	691.1	6610	7	855.4
6411	7	607.6	6445	7	650.0	6479	7	692.3	6611	7	856.6
6412	7	608.9	6446	7	651.2				6612	7	857.8
6413	7	610.1	6447	7	652.5	6480	7	693.6	6613	7	859.1
6414	7	611.4	6448	7	653.7	6481	7	694.8	6614	7	860.3
6415	7	612.6	6449	7	655.0	6482	7	696.1	6615	7	861.6
6416	7	613.8				6483	7	697.3	6616	7	862.8
6417	7	615.1	6450	7	656.2	6484	7	698.6	6617	7	864.0
6418	7	616.3	6451	7	657.5	6485	7	699.8	6618	7	865.3
6419	7	617.6	6452	7	658.7	6486	7	701.1	6619	7	866.5
			6453	7	660.0	6487	7	702.3			
6420	7	618.8	6454	7	661.2	6488	7	703.6	6620	7	867.7
6421	7	620.1	6455	7	662.5	6489	7	704.8	6621	7	869.0
6422	7	621.3	6456	7	663.7				6622	7	870.2
6423	7	622.6	6457	7	665.0	6490	7	706.0	6623	7	871.5
6424	7	623.8	6458	7	666.2	6491	7	707.3	6624	7	872.7
6425	7	625.1	6459	7	667.4	6492	7	708.5	6625	7	873.9
6426	7	626.3				6493	7	709.8	6626	7	875.2
6427	7	627.6	6460	7	668.7	6494	7	711.0	6627	7	876.4
6428	7	628.8	6461	7	669.9	6495	7	712.3	6628	7	877.6
6429	7	630.1	6462	7	671.2	6496	7	713.5	6629	7	878.9
			6463	7	672.4	6497	7	714.8			
6430	7	631.3	6464	7	673.7	6498	7	716.0	6630	7	880.1
6431	7	632.5	6465	7	674.9	6499	7	717.3	6631	7	881.4
6432	7	633.8	6466	7	676.2				6632	7	882.6
6433	7	635.0	6467	7	677.4	6500	7	718.5	6633	7	883.8

Use check point at 6300 or 6400 Kc, whichever is nearer

Use check point at 6600 Kc

Frequency: 6500-6600 Kc

Freq.	A	B	Freq.	A	B	Freq.	A	B
6500	7	718.5	6534	7	671.0	6568	7	803.2
6501	7	719.8	6535	7	762.2	6569	7	804.4
6502	7	721.0	6536	7	763.5			
6503	7	722.2	6537	7	764.7	6570	7	805.7
6504	7	723.5	6538	7	766.0	6571	7	806.9
6505	7	724.7	6539	7	767.2	6572	7	808.2
6506	7	726.0				6573	7	809.4
6507	7	727.2	6540	7	768.5	6574	7	810.7
6508	7	728.5	6541	7	769.7	6575	7	811.9
6509	7	729.7	6542	7	770.9	6576	7	813.1
			6543	7	772.2	6577	7	814.4
6510	7	731.0	6544	7	773.4	6578	7	815.6
6511	7	732.2	6545	7	774.7	6579	7	816.9
6512	7	733.5	6546	7	775.9			
6513	7	734.7	6547	7	777.1	6580	7	818.1
6514	7	736.0	6548	7	778.4	6581	7	819.4
6515	7	737.2	6549	7	779.6	6582	7	820.6
6516	7	738.5				6583	7	821.9
6517	7	739.7	6550	7	780.9	6584	7	823.1
6518	7	741.0	6551	7	782.1	6585	7	824.3
6519	7	742.2	6552	7	783.3	6586	7	825.6
			6553	7	784.6	6587	7	826.8
6520	7	743.5	6554	7	785.8	6588	7	828.1
6521	7	744.7	6555	7	787.1	6589	7	829.3
6522	7	746.0	6556	7	788.3			
6523	7	747.2	6557	7	789.6	6590	7	830.6
6524	7	748.5	6558	7	790.8	6591	7	831.8
6525	7	749.7	6559	7	792.0	6592	7	833.0
6526	7	751.0				6593	7	834.3
6527	7	752.2	6560	7	793.3	6594	7	835.5
6528	7	753.5	6561	7	794.5	6595	7	836.8
6529	7	754.7	6562	7	795.8	6596	7	838.0
			6563	7	797.0	6597	7	839.3
6530	7	756.0	6564	7	798.2	6598	7	840.5
6531	7	757.2	6565	7	799.5	6599	7	841.8
6532	7	758.5	6566	7	800.7			
6533	7	759.7	6567	7	802.0	6600	7	843.0

Use check point at 6600 Kc

Frequency: 6700-6800 Kc

Freq.	A	B	Freq.	A	B	Freq.	A	B
6700	7	966.6	6734	7	1008.5	6768	7	1050.5
6701	7	967.9	6735	7	1009.8	6769	7	1051.7
6702	7	969.1	6736	7	1011.0			
6703	7	970.3	6737	7	1012.2	6770	7	1052.9
6704	7	971.6	6738	7	1013.5	6771	7	1054.2
6705	7	972.8	6739	7	1014.7	6772	7	1055.4
6706	7	974.0				6773	7	1056.6
6707	7	975.3	6740	7	1015.9	6774	7	1057.9
6708	7	976.5	6741	7	1017.2	6775	7	1059.1
6709	7	977.7	6742	7	1018.4	6776	7	1060.3
			6743	7	1019.6	6777	7	1061.6
6710	7	978.9	6744	7	1020.9	6778	7	1062.8
6711	7	980.2	6745	7	1022.1	6779	7	1064.0
6712	7	981.4	6746	7	1023.3			
6713	7	982.6	6747	7	1024.6	6780	7	1065.3
6714	7	983.9	6748	7	1025.8	6781	7	1066.5
6715	7	985.1	6749	7	1027.0	6782	7	1067.7
6716	7	986.3				6783	7	1068.9
6717	7	987.6	6750	7	1028.3	6784	7	1070.1
6718	7	988.8	6751	7	1029.5	6785	7	1071.4
6719	7	990.0	6752	7	1030.7	6786	7	1072.6
			6753	7	1032.0	6787	7	1073.8
6720	7	991.2	6754	7	1033.2	6788	7	1075.0
6721	7	992.5	6755	7	1034.4	6789	7	1076.3
6722	7	993.7	6756	7	1035.7			
6723	7	994.9	6757	7	1036.9	6790	7	1077.5
6724	7	996.2	6758	7	1038.1	6791	7	1078.7
6725	7	997.4	6759	7	1039.4	6792	7	1079.9
6726	7	998.6				6793	7	1081.1
6727	7	999.9	6760	7	1040.6	6794	7	1082.4
6728	7	1001.1	6761	7	1041.8	6795	7	1083.6
6729	7	1002.3	6762	7	1043.1	6796	7	1084.8
			6763	7	1044.3	6797	7	1086.0
6730	7	1003.6	6764	7	1045.5	6798	7	1087.3
6731	7	1004.8	6765	7	1046.8	6799	7	1088.5
6732	7	1006.0	6766	7	1048.0			
6733	7	1007.3	6767	7	1049.2	6800	7	1089.7

Use check point at 6600 or 6900 Kc, whichever is nearer

**TABLE 5-2. CALIBRATION OF RADIO TRANSMITTER
T-47A/ART-13 OR T-47/ART-13 WHEN MCW-CFI 8Q-2 UNIT
IS USED. (Continued)**

Frequency: 6800-6900 Kc

Freq.	A	B	Freq.	A	B	Freq.	A	B
6800	7	1089.7	6834	7	1131.3	6868	7	1172.8
6801	7	1090.9	6835	7	1132.5	6869	7	1174.0
6802	7	1092.1	6836	7	1133.7			
6803	7	1093.4	6837	7	1134.9	6870	7	1175.2
6804	7	1094.6	6838	7	1136.2	6871	7	1176.4
6805	7	1095.8	6839	7	1137.4	6872	7	1177.7
6806	7	1097.0				6873	7	1178.9
6807	7	1098.2	6840	7	1138.6	6874	7	1180.1
6808	7	1099.5	6841	7	1139.8	6875	7	1181.3
6809	7	1100.7	6842	7	1141.1	6876	7	1182.5
			6843	7	1142.3	6877	7	1183.8
6810	7	1101.9	6844	7	1143.5	6878	7	1185.0
6811	7	1103.1	6845	7	1144.7	6879	7	1186.2
6812	7	1104.4	6846	7	1145.9			
6813	7	1105.6	6847	7	1147.2	6880	7	1187.4
6814	7	1106.8	6848	7	1148.4	6881	7	1188.6
6815	7	1108.0	6849	7	1149.6	6882	7	1189.9
6816	7	1109.3				6883	7	1191.1
6817	7	1110.5	6850	7	1150.8	6884	7	1192.3
6818	7	1111.7	6851	7	1152.0	6885	7	1193.5
6819	7	1112.9	6852	7	1153.3	6886	7	1194.7
			6853	7	1154.5	6887	7	1195.9
6820	7	1114.1	6854	7	1155.7	6888	7	1197.2
6821	7	1115.4	6855	7	1156.9	6889	7	1198.4
6822	7	1116.6	6856	7	1158.1			
6823	7	1117.8	6857	7	1159.4	6890	7	1199.6
6824	7	1119.0	6858	7	1160.6	6891	7	1200.8
6825	7	1120.3	6859	7	1161.8	6892	7	1202.0
6826	7	1121.5				6893	7	1203.3
6827	7	1122.7	6860	7	1163.0	6894	7	1204.5
6828	7	1123.9	6861	7	1164.2	6895	7	1205.7
6829	7	1125.2	6862	7	1165.5	6896	7	1206.9
			6863	7	1166.7	6897	7	1208.1
6830	7	1126.4	6864	7	1167.9	6898	7	1209.3
6831	7	1127.6	6865	7	1169.1	6899	7	1210.6
6832	7	1128.8	6866	7	1170.3			
6833	7	1130.0	6867	7	1171.6	6900	7	1211.8

Use check point at 6900 Kc

Frequency: 7000-7100 Kc

Freq.	A	B	Freq.	A	B	Freq.	A	B
7000	7	1333.7	7034	7	1375.2	7068	7	1416.7
7001	7	1334.9	7035	7	1376.4	7069	7	1417.9
7002	7	1336.2	7036	7	1377.6			
7003	7	1337.4	7037	7	1378.8	7070	7	1419.1
7004	7	1338.6	7038	7	1380.0	7071	7	1420.3
7005	7	1339.8	7039	7	1381.2	7072	7	1421.6
7006	7	1341.0				7073	7	1422.8
7007	7	1342.3	7040	7	1382.5	7074	7	1424.0
7008	7	1343.5	7041	7	1383.7	7075	7	1425.2
7009	7	1344.7	7042	7	1384.9	7076	7	1426.5
			7043	7	1386.1	7077	7	1427.7
7010	7	1345.9	7044	7	1387.3	7078	7	1428.9
7011	7	1347.1	7045	7	1388.6	7079	7	1430.1
7012	7	1348.4	7046	7	1389.8			
7013	7	1349.6	7047	7	1391.0	7080	7	1431.4
7014	7	1350.8	7048	7	1392.2	7081	7	1432.6
7015	7	1352.0	7049	7	1393.4	7082	7	1433.8
7016	7	1353.2				7083	7	1435.0
7017	7	1354.5	7050	7	1394.6	7084	7	1436.2
7018	7	1355.7	7051	7	1395.9	7085	7	1437.4
7019	7	1356.9	7052	7	1397.1	7086	7	1438.7
			7053	7	1398.3	7087	7	1439.9
7020	7	1358.1	7054	7	1399.5	7088	7	1441.1
7021	7	1359.3	7055	7	1400.8	7089	7	1442.3
7022	7	1360.6	7056	7	1402.0			
7023	7	1361.8	7057	7	1403.2	7090	7	1443.5
7024	7	1363.0	7058	7	1404.4	7091	7	1444.7
7025	7	1364.2	7059	7	1405.7	7092	7	1446.0
7026	7	1365.4				7093	7	1447.2
7027	7	1366.6	7060	7	1406.9	7094	7	1448.4
7028	7	1367.9	7061	7	1408.1	7095	7	1449.6
7029	7	1369.1	7062	7	1409.3	7096	7	1450.8
			7063	7	1410.6	7097	7	1452.0
7030	7	1370.3	7064	7	1411.8	7098	7	1453.3
7031	7	1371.5	7065	7	1413.0	7099	7	1454.5
7032	7	1372.7	7066	7	1414.2			
7033	7	1373.9	7067	7	1415.4	7100	7	1455.7

Use check point at 6900 or 7200 Kc, whichever is nearer

Frequency: 6900-7000 Kc

Freq.	A	B	Freq.	A	B	Freq.	A	B
6900	7	1211.8	6934	7	1253.2	6968	7	1294.6
6901	7	1213.0	6935	7	1254.4	6969	7	1295.8
6902	7	1214.2	6936	7	1255.6			
6903	7	1215.4	6937	7	1256.8	6970	7	1297.1
6904	7	1216.6	6938	7	1258.0	6971	7	1298.3
6905	7	1217.9	6939	7	1259.3	6972	7	1299.5
6906	7	1219.1				6973	7	1300.7
6907	7	1220.3	6940	7	1260.5	6974	7	1302.0
6908	7	1221.5	6941	7	1261.7	6975	7	1303.2
6909	7	1222.7	6942	7	1262.9	6976	7	1304.4
			6943	7	1264.1	6977	7	1305.6
6910	7	1224.0	6944	7	1265.4	6978	7	1306.8
6911	7	1225.2	6945	7	1266.6	6979	7	1308.1
6912	7	1226.4	6946	7	1267.8			
6913	7	1227.6	6947	7	1269.0	6980	7	1309.3
6914	7	1228.8	6948	7	1270.2	6981	7	1310.5
6915	7	1230.0	6949	7	1271.4	6982	7	1311.7
6916	7	1231.3				6983	7	1313.0
6917	7	1232.5	6950	7	1272.7	6984	7	1314.2
6918	7	1233.7	6951	7	1273.9	6985	7	1315.4
6919	7	1234.9	6952	7	1275.1	6986	7	1316.6
			6953	7	1276.3	6987	7	1317.9
6920	7	1236.1	6954	7	1277.5	6988	7	1319.1
6921	7	1237.3	6955	7	1278.8	6989	7	1320.3
6922	7	1238.6	6956	7	1280.0			
6923	7	1239.8	6957	7	1281.2	6990	7	1321.5
6924	7	1241.0	6958	7	1282.4	6991	7	1322.7
6925	7	1242.2	6959	7	1283.6	6992	7	1324.0
6926	7	1243.4				6993	7	1325.2
6927	7	1244.6	6960	7	1284.8	6994	7	1326.4
6928	7	1245.9	6961	7	1286.1	6995	7	1327.6
6929	7	1247.1	6962	7	1287.3	6996	7	1328.8
			6963	7	1288.5	6997	7	1330.1
6930	7	1248.3	6964	7	1289.7	6998	7	1331.3
6931	7	1249.5	6965	7	1291.0	6999	7	1332.5
6932	7	1250.7	6966	7	1292.2			
6933	7	1252.0	6967	7	1293.4	7000	7	1333.7

Use check point at 6900 Kc

Frequency: 7100-7200 Kc

Freq.	A	B	Freq.	A	B	Freq.	A	B
7100	7	1455.7	7134	7	1497.4	7168	7	1539.3
7101	7	1456.9	7135	7	1498.7	7169	7	1540.5
7102	7	1458.1	7136	7	1499.9			
7103	7	1459.3	7137	7	1501.1	7170	7	1541.7
7104	7	1460.6	7138	7	1502.4	7171	7	1543.0
7105	7	1461.8	7139	7	1503.6	7172	7	1544.2
7106	7	1463.0				7173	7	1545.4
7107	7	1464.2	7140	7	1504.8	7174	7	1546.7
7108	7	1465.4	7141	7	1506.1	7175	7	1547.9
7109	7	1466.6	7142	7	1507.3	7176	7	1549.1
			7143	7	1508.5	7177	7	1550.4
7110	7	1467.9	7144	7	1509.8	7178	7	1551.6
7111	7	1469.1	7145	7	1511.0	7179	7	1552.9
7112	7	1470.3	7146	7	1512.2			
7113	7	1471.6	7147	7	1513.4	7180	7	1554.1
7114	7	1472.8	7148	7	1514.7	7181	7	1555.3
7115	7	1474.0	7149	7	1515.9	7182	7	1556.6
7116	7	1475.3				7183	7	1557.8
7117	7	1476.5	7150	7	1517.1	7184	7	1559.1
7118	7	1477.7	7151	7	1518.4	7185	7	1560.3
7119	7	1479.0	7152	7	1519.6	7186	7	1561.5
			7153	7	1520.8	7187	7	1562.8
7120	7	1480.2	7154	7	1522.1	7188	7	1564.0
7121	7	1481.4	7155	7	1523.3	7189	7	1565.2
7122	7	1482.7	7156	7	1524.5			
7123	7	1483.9	7157	7	1525.7	7190	7	1566.5
7124	7	1485.1	7158	7	1527.0	7191	7	1567.7
7125	7	1486.4	7159	7	1528.2	7192	7	1569.0
7126	7	1487.6				7193	7	1570.2
7127	7	1488.8	7160	7	1529.4	7194	7	1571.4
7128	7	1490.0	7161	7	1530.7	7195	7	1572.7
7129	7	1491.3	7162	7	1531.9	7196	7	1573.9
			7163	7	1533.1	7197	7	1575.1
7130	7</							

AN 08-30 ART 13-3

**TABLE 5-2. CALIBRATION OF RADIO TRANSMITTER
T-47A/ART-13 OR T-47/ART-13 WHEN MCW-CFI 8Q-2 UNIT
IS USED. (Continued)**

Frequency: 7200-7300 Kc						Frequency: 7400-7500 Kc					
Freq.	A	B	Freq.	A	B	Freq.	A	B	Freq.	A	B
7200	8	60.0	7234	8	94.7	7268	8	129.5	7400	8	263.3
7201	8	61.0	7235	8	95.8	7269	8	130.5	7401	8	264.3
7202	8	62.0	7236	8	96.8				7402	8	265.4
7203	8	63.1	7237	8	97.8	7270	8	131.5	7403	8	266.4
7204	8	64.1	7238	8	98.8	7271	8	132.5	7404	8	267.4
7205	8	65.1	7239	8	99.9	7272	8	133.5	7405	8	268.4
7206	8	66.1				7273	8	134.5	7406	8	269.4
7207	8	67.2	7240	8	100.9	7274	8	135.6	7407	8	270.4
7208	8	68.2	7241	8	101.9	7275	8	136.6	7408	8	271.5
7209	8	69.2	7242	8	102.9	7276	8	137.6	7409	8	272.5
			7243	8	103.9	7277	8	138.6			
7210	8	70.2	7244	8	105.0	7278	8	139.6	7410	8	273.5
7211	8	71.2	7245	8	106.0	7279	8	140.6	7411	8	274.5
7212	8	72.3	7246	8	107.0				7412	8	275.5
7213	8	73.3	7247	8	108.0	7280	8	141.7	7413	8	276.5
7214	8	74.3	7248	8	109.1	7281	8	142.7	7414	8	277.6
7215	8	75.3	7249	8	110.1	7282	8	143.7	7415	8	278.6
7216	8	76.4				7283	8	144.7	7416	8	279.6
7217	8	77.4	7250	8	111.1	7284	8	145.7	7417	8	280.6
7218	8	78.4	7251	8	112.1	7285	8	146.7	7418	8	281.6
7219	8	79.4	7252	8	113.1	7286	8	147.8	7419	8	282.6
			7253	8	114.2	7287	8	148.8			
7220	8	80.4	7254	8	115.2	7288	8	149.8	7420	8	283.6
7221	8	81.5	7255	8	116.2	7289	8	150.8	7421	8	284.6
7222	8	82.5	7256	8	117.2				7422	8	285.7
7223	8	83.5	7257	8	118.3	7290	8	151.8	7423	8	286.7
7224	8	84.5	7258	8	119.3	7291	8	152.8	7424	8	287.7
7225	8	85.6	7259	8	120.3	7292	8	153.8	7425	8	288.7
7226	8	86.6				7293	8	154.9	7426	8	289.7
7227	8	87.6	7260	8	121.3	7294	8	155.9	7427	8	290.7
7228	8	88.6	7261	8	122.3	7295	8	156.9	7428	8	291.7
7229	8	89.6	7262	8	123.4	7296	8	157.9	7429	8	292.8
			7263	8	124.4	7297	8	158.9			
7230	8	90.7	7264	8	125.4	7298	8	159.9	7430	8	293.8
7231	8	91.7	7265	8	126.4	7299	8	160.9	7431	8	294.8
7232	8	92.7	7266	8	127.4				7432	8	295.8
7233	8	93.7	7267	8	128.4	7300	8	161.9	7433	8	296.8

Use check point at 7200 Kc

Frequency: 7300-7400 Kc						Frequency: 7500-7600 Kc					
Freq.	A	B	Freq.	A	B	Freq.	A	B	Freq.	A	B
7300	8	161.9	7334	8	196.4	7368	8	230.8	7500	8	365.2
7301	8	163.0	7335	8	197.4	7369	8	231.8	7501	8	366.2
7302	8	164.0	7336	8	198.4				7502	8	367.2
7303	8	165.0	7337	8	199.4	7370	8	232.8	7503	8	368.2
7304	8	166.0	7338	8	200.4	7371	8	233.9	7504	8	369.2
7305	8	167.0	7339	8	201.4	7372	8	234.9	7505	8	370.2
7306	8	168.0				7373	8	235.9	7506	8	371.3
7307	8	169.0	7340	8	202.5	7374	8	236.9	7507	8	372.3
7308	8	170.0	7341	8	203.5	7375	8	237.9	7508	8	373.3
7309	8	171.0	7342	8	204.5	7376	8	238.9	7509	8	374.3
			7343	8	205.5	7377	8	239.9			
7310	8	172.1	7344	8	206.5	7378	8	240.9	7510	8	375.3
7311	8	173.1	7345	8	207.5	7379	8	241.9	7511	8	376.3
7312	8	174.1	7346	8	208.5				7512	8	377.3
7313	8	175.1	7347	8	209.6	7380	8	243.0	7513	8	378.4
7314	8	176.1	7348	8	210.6	7381	8	244.0	7514	8	379.4
7315	8	177.1	7349	8	211.6	7382	8	245.0	7515	8	380.4
7316	8	178.1				7383	8	246.0	7516	8	381.4
7317	8	179.1	7350	8	212.6	7384	8	247.0	7517	8	382.4
7318	8	180.2	7351	8	213.6	7385	8	248.1	7518	8	383.4
7319	8	181.2	7352	8	214.6	7386	8	249.1	7519	8	384.5
			7353	8	215.6	7387	8	250.1			
7320	8	182.2	7354	8	216.6	7388	8	251.1	7520	8	385.5
7321	8	183.2	7355	8	217.7	7389	8	252.1	7521	8	386.5
7322	8	184.2	7356	8	218.7				7522	8	387.5
7323	8	185.2	7357	8	219.7	7390	8	253.1	7523	8	388.5
7324	8	186.2	7358	8	220.7	7391	8	254.2	7524	8	389.5
7325	8	187.3	7359	8	221.7	7392	8	255.2	7525	8	390.5
7326	8	188.3				7393	8	256.2	7526	8	391.6
7327	8	189.3	7360	8	222.7	7394	8	257.2	7527	8	392.6
7328	8	190.3	7361	8	223.7	7395	8	258.2	7528	8	393.6
7329	8	191.3	7362	8	224.7	7396	8	259.2	7529	8	394.6
			7363	8	225.8	7397	8	260.3			
7330	8	192.3	7364	8	226.8	7398	8	261.3	7530	8	395.6
7331	8	193.3	7365	8	227.8	7399	8	262.3	7531	8	396.6
7332	8	194.3	7366	8	228.8				7532	8	397.7
7333	8	195.4	7367	8	229.8	7400	8	263.3	7533	8	398.7

Use check point at 7200 or 7500 Kc, whichever is nearer

SECTION V

AN 08-30 ART 13-3

**TABLE 5-2. CALIBRATION OF RADIO TRANSMITTER
T-47A/ART-13 OR T-47/ART-13 WHEN MCW-CFI 8Q-2 UNIT
IS USED. (Continued)**

Frequency: 7600-7700 Kc

Freq.	A	B	Freq.	A	B	Freq.	A	B
7600	8	467.4	7634	8	502.3	7668	8	537.4
7601	8	468.5	7635	8	503.4	7669	8	538.4
7602	8	469.5	7636	8	504.4			
7603	8	470.5	7637	8	505.4	7670	8	539.5
7604	8	471.5	7638	8	506.5	7671	8	540.5
7605	8	472.5	7639	8	507.5	7672	8	541.5
7606	8	473.5				7673	8	542.5
7607	8	474.5	7640	8	508.6	7674	8	543.6
7608	8	475.6	7641	8	509.6	7675	8	544.6
7609	8	476.6	7642	8	510.6	7676	8	545.6
			7643	8	511.7	7677	8	546.6
7610	8	477.6	7644	8	512.7	7678	8	547.7
7611	8	478.6	7645	8	513.7	7679	8	548.7
7612	8	479.7	7646	8	514.8			
7613	8	480.7	7647	8	515.8	7680	8	549.7
7614	8	481.7	7648	8	516.8	7681	8	550.7
7615	8	482.7	7649	8	517.9	7682	8	551.8
7616	8	483.7				7683	8	552.8
7617	8	484.8	7650	8	518.9	7684	8	553.8
7618	8	485.8	7651	8	519.9	7685	8	554.9
7619	8	486.8	7652	8	521.0	7686	8	555.9
			7653	8	522.0	7687	8	556.9
7620	8	487.8	7654	8	523.0	7688	8	557.9
7621	8	488.9	7655	8	524.1	7689	8	559.0
7622	8	489.9	7656	8	525.1			
7623	8	490.9	7657	8	526.1	7690	8	560.0
7624	8	492.0	7658	8	527.1	7691	8	561.0
7625	8	493.0	7659	8	528.2	7692	8	562.1
7626	8	494.0				7693	8	563.1
7627	8	495.1	7660	8	529.2	7694	8	564.1
7628	8	496.1	7661	8	530.2	7695	8	565.2
7629	8	497.2	7662	8	531.2	7696	8	566.2
			7663	8	532.3	7697	8	567.2
7630	8	498.2	7664	8	533.3	7698	8	568.2
7631	8	499.2	7665	8	534.3	7699	8	569.3
7632	8	500.3	7666	8	535.3			
7633	8	501.3	7667	8	536.4	7700	8	570.3

Use check point at 7500 or 7800 Kc, whichever is nearer

Frequency: 7800-7900 Kc

Freq.	A	B	Freq.	A	B	Freq.	A	B
7800	8	673.4	7834	8	708.4	7868	8	743.4
7801	8	674.4	7835	8	709.4	7869	8	744.5
7802	8	675.5	7836	8	710.4			
7803	8	676.5	7837	8	711.5	7870	8	745.5
7804	8	677.5	7838	8	712.5	7871	8	746.5
7805	8	678.6	7839	8	713.5	7872	8	747.5
7806	8	679.6				7873	8	748.6
7807	8	680.6	7840	8	714.6	7874	8	749.6
7808	8	681.6	7841	8	715.6	7875	8	750.6
7809	8	682.7	7842	8	716.6	7876	8	751.6
			7843	8	717.7	7877	8	752.7
7810	8	683.7	7844	8	718.7	7878	8	753.7
7811	8	684.7	7845	8	719.8	7879	8	754.7
7812	8	685.7	7846	8	720.8			
7813	8	686.8	7847	8	721.8	7880	8	755.7
7814	8	687.8	7848	8	722.9	7881	8	756.8
7815	8	688.8	7849	8	723.9	7882	8	757.8
7816	8	689.9				7883	8	758.8
7817	8	690.9	7850	8	724.9	7884	8	759.8
7818	8	691.9	7851	8	726.0	7885	8	760.8
7819	8	692.9	7852	8	727.0	7886	8	761.9
			7853	8	728.0	7887	8	762.9
7820	8	694.0	7854	8	729.1	7888	8	763.9
7821	8	695.0	7855	8	730.1	7889	8	764.9
7822	8	696.0	7856	8	731.1			
7823	8	697.0	7857	8	732.2	7890	8	766.0
7824	8	698.1	7858	8	733.2	7891	8	767.0
7825	8	699.1	7859	8	734.2	7892	8	768.0
7826	8	700.1				7893	8	769.1
7827	8	701.2	7860	8	735.3	7894	8	770.1
7828	8	702.2	7861	8	736.3	7895	8	771.1
7829	8	703.2	7862	8	737.3	7896	8	772.1
			7863	8	738.3	7897	8	773.2
7830	8	704.2	7864	8	739.4	7898	8	774.2
7831	8	705.3	7865	8	740.4	7899	8	775.2
7832	8	706.3	7866	8	741.4			
7833	8	707.3	7867	8	742.4	7900	8	776.3

Use check point at 7800 Kc

Frequency: 7700-7800 Kc

Freq.	A	B	Freq.	A	B	Freq.	A	B
7700	8	570.3	7734	8	605.4	7768	8	640.4
7701	8	571.3	7735	8	606.4	7769	8	641.5
7702	8	572.4	7736	8	607.4			
7703	8	573.4	7737	8	608.5	7770	8	642.5
7704	8	574.4	7738	8	609.5	7771	8	643.5
7705	8	575.5	7739	8	610.5	7772	8	644.6
7706	8	576.5				7773	8	645.6
7707	8	577.5	7740	8	611.6	7774	8	646.6
7708	8	578.5	7741	8	612.6	7775	8	647.7
7709	8	579.6	7742	8	613.6	7776	8	648.7
			7743	8	614.7	7777	8	649.7
7710	8	580.6	7744	8	615.7	7778	8	650.7
7711	8	581.6	7745	8	616.7	7779	8	651.8
7712	8	582.6	7746	8	617.8			
7713	8	583.7	7747	8	618.8	7780	8	652.8
7714	8	584.7	7748	8	619.8	7781	8	653.8
7715	8	585.7	7749	8	620.9	7782	8	654.9
7716	8	586.8				7783	8	655.9
7717	8	587.8	7750	8	621.9	7784	8	656.9
7718	8	588.8	7751	8	622.9	7785	8	658.0
7719	8	589.9	7752	8	623.9	7786	8	659.0
			7753	8	625.0	7787	8	660.0
7720	8	590.9	7754	8	626.0	7788	8	661.1
7721	8	591.9	7755	8	627.0	7789	8	662.1
7722	8	593.0	7756	8	628.1			
7723	8	594.0	7757	8	629.1	7790	8	663.1
7724	8	595.0	7758	8	630.1	7791	8	664.1
7725	8	596.1	7759	8	631.2	7792	8	665.2
7726	8	597.1				7793	8	666.2
7727	8	598.1	7760	8	632.2	7794	8	667.2
7728	8	599.2	7761	8	633.2	7795	8	668.3
7729	8	600.2	7762	8	634.3	7796	8	669.3
			7763	8	635.3	7797	8	670.3
7730	8	601.2	7764	8	636.3	7798	8	671.4
7731	8	602.3	7765	8	637.3	7799	8	672.4
7732	8	603.3	7766	8	638.4			
7733	8	604.3	7767	8	639.4	7800	8	673.4

Use check point at 7800 Kc

Frequency: 7900-8000 Kc

Freq.	A	B	Freq.	A	B	Freq.	A	B
7900	8	775.3	7934	8	811.4	7968	8	846.4
7901	8	777.3	7935	8	812.4	7969	8	847.5
7902	8	778.3	7936	8	813.4			
7903	8	779.4	7937	8	814.5	7970	8	848.5
7904	8	780.4	7938	8	815.5	7971	8	849.5
7905	8	781.4	7939	8	816.6	7972	8	850.5
7906	8	782.4				7973	8	851.6
7907	8	783.5	7940	8	817.6	7974	8	852.6
7908	8	784.5	7941	8	818.6	7975	8	853.6
7909	8	785.5	7942	8	819.7	7976	8	854.7
			7943	8	820.7	7977	8	855.7
7910	8	786.6	7944	8	821.7	7978	8	856.7
7911	8	787.6	7945	8	822.8	7979	8	857.7
7912	8	788.6	7946	8	823.8			
7913	8	789.7	7947	8	824.9	7980	8	858.8
7914	8	790.7	7948	8	825.9	7981	8	859.8
7915	8	791.7	7949	8	826.9	7982	8	860.8
7916	8	792.7				7983	8	861.8
7917	8	793.8	7950	8	828.0	7984	8	862.8
7918	8	794.8	7951	8	829.0	7985	8	863.8
7919	8	795.8	7952	8	830.0	7986	8	864.8
			7953	8	831.0	7987	8	865.8
7920	8	796.9	7954	8	832.1	7988	8	866.9
7921	8	797.9	7955	8	833.1	7989	8	867.9
7922	8	798.9	7956	8	834.1			
7923	8	800.0	7957	8	835.1	7990	8	868.9
7924	8	801.0	7958	8	836.2	7991	8	869.9
7925	8	802.0	7959	8	837.2	7992	8	870.9
7926	8	803.1				7993	8	871.9
7927	8	804.1	7960	8	838.2	7994	8	872.9
7928	8	805.2	7961	8	839.3	7995	8	874.0
7929	8	806.2	7962	8	840.3	7996	8	875.0
			7963	8	841.3	7997	8	876.0
7930	8	807.2	7964	8	842.3	7998	8	877.0
7931	8	808.3	7965	8	843.4	7999	8	878.0
7932	8	809.3	7966	8	844.4			
7933	8	810.3	7967	8	845.4	8000	8	879.0

Use check point at 7800 or 8100 Kc, whichever is nearer

AN 08-30 ART 13-3

**TABLE 5-2. CALIBRATION OF RADIO TRANSMITTER
T-47A/ART-13 OR T-47/ART-13 WHEN MCW-CFI 8Q-2 UNIT
IS USED. (Continued)**

Frequency: 8000-8100 Kc

Freq.	A	B	Freq.	A	B	Freq.	A	B
8000	8	879.0	8034	8	913.8	8068	8	946.6
8001	8	880.0	8035	8	914.9	8069	8	949.6
8002	8	881.0	8036	8	915.9			
8003	8	882.1	8037	8	916.9	8070	8	950.7
8004	8	883.1	8038	8	918.0	8071	8	951.7
8005	8	884.1	8039	8	919.0	8072	8	952.7
8006	8	885.1				8073	8	953.7
8007	8	886.1	8040	8	920.0	8074	8	954.8
8008	8	887.1	8041	8	921.0	8075	8	955.8
8009	8	888.1	8042	8	922.1	8076	8	956.8
			8043	8	923.1	8077	8	957.8
8010	8	889.1	8044	8	924.1	8078	8	958.8
8011	8	890.2	8045	8	925.1	8079	8	959.9
8012	8	891.2	8046	8	926.1			
8013	8	892.2	8047	8	927.2	8080	8	960.9
8014	8	893.3	8048	8	928.2	8081	8	961.9
8015	8	894.3	8049	8	929.2	8082	8	962.9
8016	8	895.3				8083	8	964.0
8017	8	896.3	8050	8	930.2	8084	8	965.0
8018	8	897.4	8051	8	931.3	8085	8	966.0
8019	8	898.4	8052	8	932.3	8086	8	967.0
			8053	8	933.3	8087	8	968.1
8020	8	899.4	8054	8	934.3	8088	8	969.1
8021	8	900.5	8055	8	935.3	8089	8	970.1
8022	8	901.5	8056	8	936.4			
8023	8	902.5	8057	8	937.4	8090	8	971.1
8024	8	903.6	8058	8	938.4	8091	8	972.2
8025	8	904.6	8059	8	939.4	8092	8	973.2
8026	8	905.6				8093	8	974.2
8027	8	906.6	8060	8	940.4	8094	8	975.2
8028	8	907.7	8061	8	941.5	8095	8	976.2
8029	8	908.7	8062	8	942.5	8096	8	977.3
			8063	8	943.5	8097	8	978.3
8030	8	909.7	8064	8	944.5	8098	8	979.3
8031	8	910.8	8065	8	945.6	8099	8	980.3
8032	8	911.8	8066	8	946.6			
8033	8	912.8	8067	8	947.6	8100	8	981.4

Use check point at 8100 Kc

Frequency: 8200-8300 Kc

Freq.	A	B	Freq.	A	B	Freq.	A	B
8200	8	1083.1	8234	8	1117.6	8268	8	1152.1
8201	8	1084.1	8235	8	1118.6	8269	8	1153.1
8202	8	1085.2	8236	8	1119.7			
8203	8	1086.2	8237	8	1120.7	8270	8	1154.1
8204	8	1087.2	8238	8	1121.7	8271	8	1155.1
8205	8	1088.2	8239	8	1122.7	8272	8	1156.1
8206	8	1089.2				8273	8	1157.1
8207	8	1090.2	8240	8	1123.7	8274	8	1158.1
8208	8	1091.3	8241	8	1124.7	8275	8	1159.2
8209	8	1092.3	8242	8	1125.7	8276	8	1160.2
			8243	8	1126.7	8277	8	1161.2
8210	8	1093.3	8244	8	1127.8	8278	8	1162.2
8211	8	1094.3	8245	8	1128.8	8279	8	1163.2
8212	8	1095.3	8246	8	1129.8			
8213	8	1096.3	8247	8	1130.8	8280	8	1164.2
8214	8	1097.3	8248	8	1131.8	8281	8	1165.2
8215	8	1098.4	8249	8	1132.8	8282	8	1166.2
8216	8	1099.4				8283	8	1167.2
8217	8	1100.4	8250	8	1133.8	8284	8	1168.2
8218	8	1101.4	8251	8	1134.9	8285	8	1169.3
8219	8	1102.4	8252	8	1135.9	8286	8	1170.3
			8253	8	1136.9	8287	8	1171.3
8220	8	1103.4	8254	8	1137.9	8288	8	1172.3
8221	8	1104.5	8255	8	1138.9	8289	8	1173.3
8222	8	1105.5	8256	8	1139.9			
8223	8	1106.5	8257	8	1140.9	8290	8	1174.3
8224	8	1107.5	8258	8	1141.9	8291	8	1175.3
8225	8	1108.5	8259	8	1143.0	8292	8	1176.3
8226	8	1109.5				8293	8	1177.3
8227	8	1110.5	8260	8	1144.0	8294	8	1178.3
8228	8	1111.5	8261	8	1145.0	8295	8	1179.3
8229	8	1112.5	8262	8	1146.0	8296	8	1180.3
			8263	8	1147.0	8297	8	1181.3
8230	8	1113.6	8264	8	1148.0	8298	8	1182.4
8231	8	1114.6	8265	8	1149.0	8299	8	1183.4
8232	8	1115.6	8266	8	1150.0			
8233	8	1116.6	8267	8	1151.1	8300	8	1184.4

Use check point at 8100 or 8400 Kc, whichever is nearer

Frequency: 8100-8200 Kc

Freq.	A	B	Freq.	A	B	Freq.	A	B
8100	8	981.4	8134	8	1016.0	8168	8	1050.6
8101	8	982.4	8135	8	1017.0	8169	8	1051.6
8102	8	983.4	8136	8	1018.1			
8103	8	984.4	8137	8	1019.1	8170	8	1052.6
8104	8	985.4	8138	8	1020.1	8171	8	1053.7
8105	8	986.5	8139	8	1021.1	8172	8	1054.7
8106	8	987.5				8173	8	1055.7
8107	8	988.5	8140	8	1022.1	8174	8	1056.7
8108	8	989.5	8141	8	1023.2	8175	8	1057.7
8109	8	990.5	8142	8	1024.2	8176	8	1058.7
			8143	8	1025.2	8177	8	1059.8
8110	8	991.6	8144	8	1026.2	8178	8	1060.8
8111	8	992.6	8145	8	1027.2	8179	8	1061.8
8112	8	993.6	8146	8	1028.2			
8113	8	994.6	8147	8	1029.3	8180	8	1062.8
8114	8	995.6	8148	8	1030.3	8181	8	1063.8
8115	8	996.7	8149	8	1031.3	8182	8	1064.8
8116	8	997.7				8183	8	1065.9
8117	8	998.7	8150	8	1032.3	8184	8	1066.9
8118	8	999.7	8151	8	1033.3	8185	8	1067.9
8119	8	1000.7	8152	8	1034.3	8186	8	1068.9
			8153	8	1035.4	8187	8	1069.9
8120	8	1001.8	8154	8	1036.4	8188	8	1070.9
8121	8	1002.8	8155	8	1037.4	8189	8	1072.0
8122	8	1003.8	8156	8	1038.4			
8123	8	1004.8	8157	8	1039.4	8190	8	1073.0
8124	8	1005.8	8158	8	1040.4	8191	8	1074.0
8125	8	1006.9	8159	8	1041.5	8192	8	1075.0
8126	8	1007.9				8193	8	1076.0
8127	8	1008.9	8160	8	1042.5	8194	8	1077.0
8128	8	1009.9	8161	8	1043.5	8195	8	1078.1
8129	8	1010.9	8162	8	1044.5	8196	8	1079.1
			8163	8	1045.5	8197	8	1080.1
8130	8	1012.0	8164	8	1046.5	8198	8	1081.1
8131	8	1013.0	8165	8	1047.6	8199	8	1082.1
8132	8	1014.0	8166	8	1048.6			
8133	8	1015.0	8167	8	1049.6	8200	8	1083.1

Use check point at 8100 Kc

Frequency: 8300-8400 Kc

Freq.	A	B	Freq.	A	B	Freq.	A	B
8300	8	1184.4	8334	8	1218.8	8368	8	1253.1
8301	8	1185.4	8335	8	1219.8	8369	8	1254.1
8302	8	1186.4	8336	8	1220.8			
8303	8	1187.4	8337	8	1221.9	8370	8	1255.1
8304	8	1188.4	8338	8	1222.9	8371	8	1256.1
8305	8	1189.4	8339	8	1223.9	8372	8	1257.1
8306	8	1190.4				8373	8	1258.1
8307	8	1191.4	8340	8	1224.9	8374	8	1259.1
8308	8	1192.4	8341	8	1225.9	8375	8	1260.1
8309	8	1193.4	8342	8	1226.9	8376	8	1261.1
			8343	8	1227.9	8377	8	1262.1
8310	8	1194.4	8344	8	1228.9	8378	8	1263.2
8311	8	1195.5	8345	8	1229.9	8379	8	1264.2
8312	8	1196.5	8346	8	1230.9			
8313	8	1197.5	8347	8	1231.9	8380	8	1265.2
8314	8	1198.5	8348	8	1233.0	8381	8	1266.2
8315	8	1199.5	8349	8	1234.0	8382	8	1267.2
8316	8	1200.5				8383	8	1268.2
8317	8	1201.5	8350	8	1235.0	8384	8	1269.2
8318	8	1202.6	8351	8	1236.0	8385	8	1270.2
8319	8	1203.6	8352	8	1237.0	8386	8	1271.2
			8353	8	1238.0	8387	8	1272.2
8320	8	1204.6	8354	8	1239.0	8388	8	1273.2
8321	8	1205.6	8355	8	1240.0	8389	8	1274.2
8322	8	1206.6	8356	8	1241.0			
8323	8	1207.6	8357	8	1242.0	8390	8	1275.2
8324	8	1208.7	8358	8	1243.0	8391	8	1276.2
8325	8	1209.7	8359	8	1244.0	8392	8	1277.2
8326	8	1210.7				8393	8	1278.3
8327	8	1211.7	8360	8	1245.0	8394	8	1279.3
8328	8	1212.7	8361	8	1246.0	8395	8	1280.3
8329	8	1213.7	8362	8	1247.0	8396	8	1281.3
			8363	8	1248.1	8397	8	1282.3
8330	8	1214.7	8364	8	1249.1	8398	8	1283.3
8331	8	1215.8	8365	8	1250.1	8399	8	1284.

SECTION V

AN 08-30 ART 13-3

**TABLE 5-2. CALIBRATION OF RADIO TRANSMITTER
T-47A/ART-13 OR T-47/ART-13 WHEN MCW-CFI 8Q-2 UNIT
IS USED. (Continued)**

Frequency: 8400-8500 Kc

Freq.	A	B	Freq.	A	B	Freq.	A	B
8400	8	1285.3	8434	8	1319.7	8468	8	1354.0
8401	8	1286.3	8435	8	1320.7	8469	8	1355.1
8402	8	1287.3	8436	8	1321.7			
8403	8	1288.3	8437	8	1322.7	8470	8	1356.1
8404	8	1289.3	8438	8	1323.7	8471	8	1357.1
8405	8	1290.4	8439	8	1324.8	8472	8	1358.1
8406	8	1291.4				8473	8	1359.1
8407	8	1292.4	8440	8	1325.8	8474	8	1360.1
8408	8	1293.4	8441	8	1326.8	8475	8	1361.1
8409	8	1294.4	8442	8	1327.8	8476	8	1362.1
			8443	8	1328.8	8477	8	1363.1
8410	8	1295.4	8444	8	1329.8	8478	8	1364.2
8411	8	1296.4	8445	8	1330.8	8479	8	1365.2
8412	8	1297.4	8446	8	1331.8			
8413	8	1298.5	8447	8	1332.8	8480	8	1366.2
8414	8	1299.5	8448	8	1333.8	8481	8	1367.2
8415	8	1300.5	8449	8	1334.9	8482	8	1368.2
8416	8	1301.5				8483	8	1369.2
8417	8	1302.5	8450	8	1335.9	8484	8	1370.2
8418	8	1303.5	8451	8	1336.9	8485	8	1371.2
8419	8	1304.5	8452	8	1337.9	8486	8	1372.2
			8453	8	1338.9	8487	8	1373.2
8420	8	1305.5	8454	8	1339.9	8488	8	1374.3
8421	8	1306.6	8455	8	1340.9	8489	8	1375.3
8422	8	1307.6	8456	8	1341.9			
8423	8	1308.6	8457	8	1342.9	8490	8	1376.3
8424	8	1309.6	8458	8	1343.9	8491	8	1377.3
8425	8	1310.6	8459	8	1345.0	8492	8	1378.3
8426	8	1311.6				8493	8	1379.3
8427	8	1312.6	8460	8	1346.0	8494	8	1380.3
8428	8	1313.6	8461	8	1347.0	8495	8	1381.3
8429	8	1314.6	8462	8	1348.0	8496	8	1382.3
			8463	8	1349.0	8497	8	1383.4
8430	8	1315.7	8464	8	1350.0	8498	8	1384.4
8431	8	1316.7	8465	8	1351.0	8499	8	1385.4
8432	8	1317.7	8466	8	1352.0			
8433	8	1318.7	8467	8	1353.0	8500	8	1386.4

Use check point at 8400 Kc

Frequency: 8600-8700 Kc

Freq.	A	B	Freq.	A	B	Freq.	A	B
8600	8	1487.9	8634	8	1522.5	8668	8	1557.2
8601	8	1488.9	8635	8	1523.6	8669	8	1558.3
8602	8	1489.9	8636	8	1524.6			
8603	8	1490.9	8637	8	1525.6	8670	8	1559.3
8604	8	1491.9	8638	8	1526.6	8671	8	1560.3
8605	8	1493.0	8639	8	1527.7	8672	8	1561.3
8606	8	1494.0				8673	8	1562.4
8607	8	1495.0	8640	8	1528.7	8674	8	1563.4
8608	8	1496.0	8641	8	1529.7	8675	8	1564.4
8609	8	1497.0	8642	8	1530.7	8676	8	1565.4
			8643	8	1531.7	8677	8	1566.5
8610	8	1498.0	8644	8	1532.8	8678	8	1567.5
8611	8	1499.0	8645	8	1533.8	8679	8	1568.5
8612	8	1500.1	8646	8	1534.8			
8613	8	1501.1	8647	8	1535.8	8680	8	1569.5
8614	8	1502.1	8648	8	1536.8	8681	8	1570.6
8615	8	1503.1	8649	8	1537.9	8682	8	1571.6
8616	8	1504.2				8683	8	1572.6
8617	8	1505.2	8650	8	1538.9	8684	8	1573.7
8618	8	1506.2	8651	8	1539.9	8685	8	1574.7
8619	8	1507.2	8652	8	1540.9	8686	8	1575.7
			8653	8	1541.9	8687	8	1576.7
8620	8	1508.2	8654	8	1543.0	8688	8	1577.8
8621	8	1509.3	8655	8	1544.0	8689	8	1578.8
8622	8	1510.3	8656	8	1545.0			
8623	8	1511.3	8657	8	1546.0	8690	8	1579.8
8624	8	1512.3	8658	8	1547.0	8691	8	1580.8
8625	8	1513.4	8659	8	1548.1	8692	8	1581.9
8626	8	1514.4				8693	8	1582.9
8627	8	1515.4	8660	8	1549.1	8694	8	1583.9
8628	8	1516.4	8661	8	1550.1	8695	8	1584.9
8629	8	1517.4	8662	8	1551.1	8696	8	1586.0
			8663	8	1552.1	8697	8	1587.0
8630	8	1518.5	8664	8	1553.2	8698	8	1588.0
8631	8	1519.5	8665	8	1554.2	8699	8	1589.1
8632	8	1520.5	8666	8	1555.2			
8633	8	1521.5	8667	8	1556.2	8700	8	1590.1

Use check point at 8700 Kc

Frequency: 8500-8600 Kc

Freq.	A	B	Freq.	A	B	Freq.	A	B
8500	8	1386.4	8534	8	1420.8	8568	8	1455.4
8501	8	1387.4	8535	8	1421.8	8569	8	1456.4
8502	8	1388.4	8536	8	1422.8			
8503	8	1389.4	8537	8	1423.9	8570	8	1457.4
8504	8	1390.4	8538	8	1424.9	8571	8	1458.5
8505	8	1391.4	8539	8	1425.9	8572	8	1459.5
8506	8	1392.5				8573	8	1460.5
8507	8	1393.5	8540	8	1426.9	8574	8	1461.5
8508	8	1394.5	8541	8	1427.9	8575	8	1462.5
8509	8	1395.5	8542	8	1428.9	8576	8	1463.6
			8543	8	1430.0	8577	8	1464.6
8510	8	1396.5	8544	8	1431.0	8578	8	1465.6
8511	8	1397.5	8545	8	1432.0	8579	8	1466.6
8512	8	1398.5	8546	8	1433.0			
8513	8	1399.5	8547	8	1434.0	8580	8	1467.6
8514	8	1400.5	8548	8	1435.0	8581	8	1468.7
8515	8	1401.5	8549	8	1436.0	8582	8	1469.7
8516	8	1402.6				8583	8	1470.7
8517	8	1403.6	8550	8	1437.1	8584	8	1471.7
8518	8	1404.6	8551	8	1438.1	8585	8	1472.7
8519	8	1405.6	8552	8	1439.1	8586	8	1473.7
			8553	8	1440.1	8587	8	1474.7
8520	8	1406.6	8554	8	1441.1	8588	8	1475.7
8521	8	1407.6	8555	8	1442.2	8589	8	1476.8
8522	8	1408.6	8556	8	1443.2			
8523	8	1409.6	8557	8	1444.2	8590	8	1477.8
8524	8	1410.7	8558	8	1445.2	8591	8	1478.8
8525	8	1411.7	8559	8	1446.2	8592	8	1479.8
8526	8	1412.7				8593	8	1480.8
8527	8	1413.7	8560	8	1447.3	8594	8	1481.8
8528	8	1414.7	8561	8	1448.3	8595	8	1482.8
8529	8	1415.7	8562	8	1449.3	8596	8	1483.8
			8563	8	1450.3	8597	8	1484.9
8530	8	1416.8	8564	8	1451.3	8598	8	1485.9
8531	8	1417.8	8565	8	1452.4	8599	8	1486.9
8532	8	1418.8	8566	8	1453.4			
8533	8	1419.8	8567	8	1454.4	8600	8	1487.9

Use check point at 8400 or 8700 Kc, whichever is nearer

Frequency: 8700-8800 Kc

Freq.	A	B	Freq.	A	B	Freq.	A	B
8700	8	1590.1	8734	8	1625.2	8768	8	1660.6
8701	8	1591.1	8735	8	1626.3	8769	8	1661.7
8702	8	1592.1	8736	8	1627.3			
8703	8	1593.2	8737	8	1628.3	8770	8	1662.7
8704	8	1594.2	8738	8	1629.4	8771	8	1663.7
8705	8	1595.2	8739	8	1630.4	8772	8	1664.8
8706	8	1596.3				8773	8	1665.8
8707	8	1597.3	8740	8	1631.5	8774	8	1666.9
8708	8	1598.3	8741	8	1632.5	8775	8	1667.9
8709	8	1599.4	8742	8	1633.5	8776	8	1669.0
			8743	8	1634.6	8777	8	1670.0
8710	8	1600.4	8744	8	1635.6	8778	8	1671.0
8711	8	1601.4	8745	8	1636.7	8779	8	1672.1
8712	8	1602.5	8746	8	1637.7			
8713	8	1603.5	8747	8	1638.7	8780	8	1673.1
8714	8	1604.5	8748	8	1639.8	8781	8	1674.2
8715	8	1605.6	8749	8	1640.8	8782	8	1675.2
8716	8	1606.6				8783	8	1676.3
8717	8	1607.6	8750	8	1641.9	8784	8	1677.3
8718	8	1608.7	8751	8	1642.9	8785	8	1678.3
8719	8	1609.7	8752	8	1643.9	8786	8	1679.4
			8753	8	1645.0	8787	8	1680.4
8720	8	1610.7	8754	8	1646.0	8788	8	1681.5
8721	8	1611.8	8755	8	1647.1	8789	8	1682.5
8722	8	1612.8	8756	8	1648.1			
8723	8	1613.8	8757	8	1649.1	8790	8	1683.6
8724	8	1614.9	8758	8	1650.2	8791	8	1684.6
8725	8	1615.9	8759	8	1651.2	8792	8	1685.7
8726	8	1616.9				8793	8	1686.7
8727	8	1618.0	8760	8	1652.3	8794	8	1687.8
8728	8	1619.0	8761	8	1653.3	8795	8	1688.8
8729	8	1620.0	8762	8	1654.3	8796	8	1689.9
			8763	8	1655.4	8797	8	1690.9
8730	8	1621.1	8764	8	1656.4			

AN 08-30 ART 13-3

**TABLE 5-2. CALIBRATION OF RADIO TRANSMITTER
T-47A/ART-13 OR T-47/ART-13 WHEN MCW-CFI 8Q-2 UNIT
IS USED. (Continued)**

Frequency: 8800-8900 Kc

Freq.	A	B	Freq.	A	B	Freq.	A	B
8800	8	1694.1	8834	8	1729.9	8868	8	1766.0
8801	8	1695.1	8835	8	1731.0	8869	8	1767.1
8802	8	1696.2	8836	8	1732.0			
8803	8	1697.2	8837	8	1733.1	8870	8	1768.2
8804	8	1698.3	8838	8	1734.1	8871	8	1769.3
8805	8	1699.3	8839	8	1735.2	8872	8	1770.3
8806	8	1700.4				8873	8	1771.4
8807	8	1701.4	8840	8	1736.2	8874	8	1772.5
8808	8	1702.5	8841	8	1737.3	8875	8	1773.5
8809	8	1703.5	8842	8	1738.4	8876	8	1774.6
			8843	8	1739.4	8877	8	1775.7
8810	8	1704.6	8844	8	1740.5	8878	8	1776.7
8811	8	1705.7	8845	8	1741.5	8879	8	1777.8
8812	8	1706.7	8846	8	1742.6			
8813	8	1707.8	8847	8	1743.6	8880	8	1778.9
8814	8	1708.8	8848	8	1744.7	8881	8	1780.0
8815	8	1709.9	8849	8	1745.7	8882	8	1781.0
8816	8	1710.9				8883	8	1782.1
8817	8	1712.0	8850	8	1746.8	8884	8	1783.2
8818	8	1713.0	8851	8	1747.9	8885	8	1784.3
8819	8	1714.1	8852	8	1748.9	8886	8	1785.3
			8853	8	1750.0	8887	8	1786.4
8820	8	1715.1	8854	8	1751.1	8888	8	1787.5
8821	8	1716.2	8855	8	1752.1	8889	8	1788.6
8822	8	1717.2	8856	8	1753.2			
8823	8	1718.3	8857	8	1754.3	8890	8	1789.6
8824	8	1719.3	8858	8	1755.4	8891	8	1790.7
8825	8	1720.4	8859	8	1756.4	8892	8	1791.8
8826	8	1721.5				8893	8	1792.9
8827	8	1722.5	8860	8	1757.5	8894	8	1794.0
8828	8	1723.6	8861	8	1758.6	8895	8	1795.0
8829	8	1724.6	8862	8	1759.6	8896	8	1796.1
			8863	8	1760.7	8897	8	1797.2
8830	8	1725.7	8864	8	1761.8	8898	8	1798.3
8831	8	1726.7	8865	8	1762.8	8899	8	1799.3
8832	8	1727.8	8866	8	1763.9			
8833	8	1728.8	8867	8	1765.0	8900	8	1800.4

Use check point at 8700 or 9000 Kc, whichever is nearer

Frequency: 9000-9100 Kc

Freq.	A	B	Freq.	A	B	Freq.	A	B
9000	9	180.1	9034	9	128.1	9068	9	156.0
9001	9	101.0	9035	9	128.9	9069	9	156.8
9002	9	101.8	9036	9	129.7			
9003	9	102.6	9037	9	130.6	9070	9	157.6
9004	9	103.4	9038	9	131.4	9071	9	158.4
9005	9	104.3	9039	9	132.2	9072	9	159.2
9006	9	105.1				9073	9	160.1
9007	9	105.9	9040	9	133.0	9074	9	160.9
9008	9	106.7	9041	9	133.8	9075	9	161.7
9009	9	107.5	9042	9	134.7	9076	9	162.5
			9043	9	135.5	9077	9	163.3
9010	9	108.4	9044	9	136.3	9078	9	164.2
9011	9	109.2	9045	9	137.1	9079	9	165.0
9012	9	110.0	9046	9	137.9			
9013	9	110.8	9047	9	138.8	9080	9	165.8
9014	9	111.6	9048	9	139.6	9081	9	166.6
9015	9	112.5	9049	9	140.4	9082	9	167.4
9016	9	113.3				9083	9	168.3
9017	9	114.1	9050	9	141.2	9084	9	169.1
9018	9	114.9	9051	9	142.0	9085	9	169.9
9019	9	115.8	9052	9	142.9	9086	9	170.7
			9053	9	143.7	9087	9	171.5
9020	9	116.6	9054	9	144.5	9088	9	172.3
9021	9	117.4	9055	9	145.3	9089	9	173.2
9022	9	118.2	9056	9	146.1			
9023	9	119.0	9057	9	147.0	9090	9	174.0
9024	9	119.9	9058	9	147.8	9091	9	174.8
9025	9	120.7	9059	9	148.6	9092	9	175.6
9026	9	121.5				9093	9	176.4
9027	9	122.3	9060	9	149.4	9094	9	177.2
9028	9	123.2	9061	9	150.2	9095	9	178.1
9029	9	124.0	9062	9	151.1	9096	9	178.9
			9063	9	151.9	9097	9	179.7
9030	9	124.8	9064	9	152.7	9098	9	180.5
9031	9	125.6	9065	9	153.5	9099	9	181.3
9032	9	126.4	9066	9	154.3			
9033	9	127.3	9067	9	155.1	9100	9	182.1

Use check point at 9000 Kc

Frequency: 8900-9000 Kc

Freq.	A	B	Freq.	A	B	Freq.	A	B
8900	8	1800.4	8934	8	1837.2	8968	8	1874.6
8901	8	1801.5	8935	8	1838.3	8969	8	1875.7
8902	8	1802.6	8936	8	1839.3			
8903	8	1803.6	8937	8	1840.4	8970	8	1876.8
8904	8	1804.7	8938	8	1841.5	8971	8	1877.9
8905	8	1805.8	8939	8	1842.6	8972	8	1879.0
8906	8	1806.9				8973	8	1880.1
8907	8	1808.0	8940	8	1843.7	8974	8	1881.2
8908	8	1809.0	8941	8	1844.8	8975	8	1882.3
8909	8	1810.1	8942	8	1845.9	8976	8	1883.4
			8943	8	1847.0	8977	8	1884.5
8910	8	1811.2	8944	8	1848.1	8978	8	1885.6
8911	8	1812.3	8945	8	1849.2	8979	8	1886.7
8912	8	1813.3	8946	8	1850.3			
8913	8	1814.4	8947	8	1851.4	8980	8	1887.8
8914	8	1815.5	8948	8	1852.5	8981	8	1888.9
8915	8	1816.6	8949	8	1853.6	8982	8	1890.1
8916	8	1817.7				8983	8	1891.2
8917	8	1818.8	8950	8	1854.7	8984	8	1892.3
8918	8	1819.8	8951	8	1855.8	8985	8	1893.4
8919	8	1820.9	8952	8	1856.9	8986	8	1894.5
			8953	8	1858.0	8987	8	1895.6
8920	8	1822.0	8954	8	1859.1	8988	8	1896.7
8921	8	1823.1	8955	8	1860.2	8989	8	1897.8
8922	8	1824.2	8956	8	1861.3			
8923	8	1825.3	8957	8	1862.4	8990	8	1898.9
8924	8	1826.3	8958	8	1863.5	8991	8	1900.0
8925	8	1827.4	8959	8	1864.6	8992	8	1901.1
8926	8	1828.5				8993	8	1902.2
8927	8	1829.6	8960	8	1865.7	8994	8	1903.4
8928	8	1830.7	8961	8	1866.8	8995	8	1904.5
8929	8	1831.8	8962	8	1867.9	8996	8	1905.6
			8963	8	1869.0	8997	8	1906.7
8930	8	1832.8	8964	8	1870.1	8998	8	1907.8
8931	8	1833.9	8965	8	1871.2	8999	8	1908.9
8932	8	1835.0	8966	8	1872.3			
8933	8	1836.1	8967	8	1873.5	9000	8	1910.0

Use check point at 9000 Kc

Frequency: 9100-9200 Kc

Freq.	A	B	Freq.	A	B	Freq.	A	B
9100	9	182.1	9134	9	209.9	9168	9	237.7
9101	9	183.0	9135	9	210.7	9169	9	238.5
9102	9	183.8	9136	9	211.5			
9103	9	184.6	9137	9	212.3	9170	9	239.3
9104	9	185.4	9138	9	213.2	9171	9	240.1
9105	9	186.2	9139	9	214.0	9172	9	240.9
9106	9	187.0				9173	9	241.7
9107	9	187.9	9140	9	214.8	9174	9	242.5
9108	9	188.7	9141	9	215.6	9175	9	243.4
9109	9	189.5	9142	9	216.4	9176	9	244.2
			9143	9	217.2	9177	9	245.0
9110	9	190.3	9144	9	218.1	9178	9	245.8
9111	9	191.1	9145	9	218.9	9179	9	246.6
9112	9	191.9	9146	9	219.7			
9113	9	192.8	9147	9	220.5	9180	9	247.4
9114	9	193.6	9148	9	221.3	9181	9	248.3
9115	9	194.4	9149	9	222.1	9182	9	249.1
9116	9	195.2				9183	9	249.9
9117	9	196.0	9150	9	223.0	9184	9	250.7
9118	9	196.8	9151	9	223.8	9185	9	251.5
9119	9	197.6	9152	9	224.6	9186	9	252.4
			9153	9	225.4	9187	9	253.2
9120	9	198.5	9154	9	226.2	9188	9	254.0
9121	9	199.3	9155	9	227.0	9189	9	254.8
9122	9	200.1	9156	9	227.9			
9123	9	200.9	9157	9	228.7	9190	9	255.6
9124	9	201.7	9158	9	229.5	9191	9	256.5
9125	9	202.5	9159	9	230.3	9192	9	257.3
9126	9	203.4				9193	9	258.1
9127	9	204.2	9160	9	231.1	9194	9	258.9
9128	9	205.0	9161	9	231.9	9195	9	259.7
9129	9	205.8	9162	9	232.8	9196	9	260.6
			9163	9	233.6	9197	9	261.4
9130	9	206.6	9164	9	234.4	9198	9	262.2
9131	9	207.4	9165	9	235.2	9199	9	263.0
9132	9	208.3	9166	9	236.0			
913								

SECTION V

AN 08-30 ART 13-3

TABLE 5-2. CALIBRATION OF RADIO TRANSMITTER T-47A/ART-13 OR T-47/ART-13 WHEN MCW-CFI 8Q-2 UNIT IS USED. (Continued)

Frequency: 9200-9300 Kc

Freq.	A	B	Freq.	A	B	Freq.	A	B
9200	9	263.8	9234	9	291.7	9268	9	319.6
9201	9	264.6	9235	9	292.5	9269	9	320.4
9202	9	265.5	9236	9	293.3			
9203	9	266.3	9237	9	294.2	9270	9	321.2
9204	9	267.1	9238	9	295.0	9271	9	322.1
9205	9	267.9	9239	9	295.8	9272	9	322.9
9206	9	268.7				9273	9	323.7
9207	9	269.6	9240	9	296.6	9274	9	324.5
9208	9	270.4	9241	9	297.4	9275	9	325.3
9209	9	271.2	9242	9	298.3	9276	9	326.2
			9243	9	299.1	9277	9	327.0
9210	9	272.0	9244	9	299.9	9278	9	327.8
9211	9	272.8	9245	9	300.7	9279	9	328.6
9212	9	273.7	9246	9	301.5			
9213	9	274.5	9247	9	302.4	9280	9	329.4
9214	9	275.3	9248	9	303.2	9281	9	330.3
9215	9	276.1	9249	9	304.0	9282	9	331.1
9216	9	276.9				9283	9	331.9
9217	9	277.8	9250	9	304.8	9284	9	332.7
9218	9	278.6	9251	9	305.6	9285	9	333.5
9219	9	279.4	9252	9	306.5	9286	9	334.4
			9253	9	307.3	9287	9	335.2
9220	9	280.2	9254	9	308.1	9288	9	336.0
9221	9	281.0	9255	9	308.9	9289	9	336.8
9222	9	281.8	9256	9	309.7			
9223	9	282.7	9257	9	310.6	9290	9	337.6
9224	9	283.5	9258	9	311.4	9291	9	338.5
9225	9	284.3	9259	9	312.2	9292	9	339.3
9226	9	285.1				9293	9	340.1
9227	9	285.9	9260	9	313.0	9294	9	340.9
9228	9	286.8	9261	9	313.9	9295	9	341.7
9229	9	287.6	9262	9	314.7	9296	9	342.6
			9263	9	315.5	9297	9	343.4
9230	9	288.4	9264	9	316.3	9298	9	344.2
9231	9	289.2	9265	9	317.1	9299	9	345.0
9232	9	290.0	9266	9	318.0			
9233	9	290.9	9267	9	318.8	9300	9	345.8

Use check point at 9000 or 9450 Kc, whichever is nearer

Frequency: 9400-9500 Kc

Freq.	A	B	Freq.	A	B	Freq.	A	B
9400	9	428.2	9434	9	456.3	9468	9	484.4
9401	9	429.0	9435	9	457.2	9469	9	485.3
9402	9	429.8	9436	9	458.0			
9403	9	430.7	9437	9	458.8	9470	9	486.1
9404	9	431.5	9438	9	459.6	9471	9	486.9
9405	9	432.3	9439	9	460.5	9472	9	487.7
9406	9	433.2				9473	9	488.6
9407	9	434.0	9440	9	461.3	9474	9	489.4
9408	9	434.8	9441	9	462.1	9475	9	490.2
9409	9	435.6	9442	9	462.9	9476	9	491.0
			9443	9	463.8	9477	9	491.9
9410	9	436.5	9444	9	464.6	9478	9	492.7
9411	9	437.3	9445	9	465.4	9479	9	493.5
9412	9	438.1	9446	9	466.3			
9413	9	438.9	9447	9	467.1	9480	9	494.3
9414	9	439.8	9448	9	467.9	9481	9	495.2
9415	9	440.6	9449	9	468.7	9482	9	496.0
9416	9	441.4				9483	9	496.8
9417	9	442.3	9450	9	469.6	9484	9	497.6
9418	9	443.1	9451	9	470.4	9485	9	498.5
9419	9	443.9	9452	9	471.2	9486	9	499.3
			9453	9	472.1	9487	9	500.1
9420	9	444.7	9454	9	472.9	9488	9	500.9
9421	9	445.6	9455	9	473.7	9489	9	501.8
9422	9	446.4	9456	9	474.5			
9423	9	447.2	9457	9	475.4	9490	9	502.6
9424	9	448.0	9458	9	476.2	9491	9	503.4
9425	9	448.9	9459	9	477.0	9492	9	504.2
9426	9	449.7				9493	9	505.1
9427	9	450.5	9460	9	477.8	9494	9	505.9
9428	9	451.4	9461	9	478.7	9495	9	506.7
9429	9	452.2	9462	9	479.5	9496	9	507.6
			9463	9	480.3	9497	9	508.4
9430	9	453.0	9464	9	481.1	9498	9	509.2
9431	9	453.8	9465	9	482.0	9499	9	510.0
9432	9	454.7	9466	9	482.8			
9433	9	455.5	9467	9	483.6	9500	9	510.9

Use check point at 9450 Kc

Frequency: 9300-9400 Kc

Freq.	A	B	Freq.	A	B	Freq.	A	B
9300	9	345.8	9334	9	373.7	9368	9	401.7
9301	9	346.7	9335	9	374.5	9369	9	402.5
9302	9	347.5	9336	9	375.4			
9303	9	348.3	9337	9	376.2	9370	9	403.3
9304	9	349.1	9338	9	377.0	9371	9	404.2
9305	9	349.9	9339	9	377.8	9372	9	405.0
9306	9	350.8				9373	9	405.8
9307	9	351.6	9340	9	378.6	9374	9	406.6
9308	9	352.4	9341	9	379.5	9375	9	407.5
9309	9	353.2	9342	9	380.3	9376	9	408.3
			9343	9	381.1	9377	9	409.1
9310	9	354.0	9344	9	381.9	9378	9	410.0
9311	9	354.9	9345	9	382.7	9379	9	410.8
9312	9	355.7	9346	9	383.6			
9313	9	356.5	9347	9	384.4	9380	9	411.6
9314	9	357.3	9348	9	385.2	9381	9	412.4
9315	9	358.1	9349	9	386.0	9382	9	413.3
9316	9	359.0				9383	9	414.1
9317	9	359.8	9350	9	386.8	9384	9	414.9
9318	9	360.6	9351	9	387.7	9385	9	415.8
9319	9	361.4	9352	9	388.5	9386	9	416.6
			9353	9	389.3	9387	9	417.4
9320	9	362.2	9354	9	390.1	9388	9	418.2
9321	9	363.1	9355	9	390.9	9389	9	419.1
9322	9	363.9	9356	9	391.8			
9323	9	364.7	9357	9	392.6	9390	9	419.9
9324	9	365.5	9358	9	393.4	9391	9	420.7
9325	9	366.3	9359	9	394.2	9392	9	421.6
9326	9	367.2				9393	9	422.4
9327	9	368.0	9360	9	395.1	9394	9	423.2
9328	9	368.8	9361	9	395.9	9395	9	424.0
9329	9	369.6	9362	9	396.7	9396	9	424.9
			9363	9	397.5	9397	9	425.7
9330	9	370.4	9364	9	398.4	9398	9	426.5
9331	9	371.3	9365	9	399.2	9399	9	427.4
9332	9	372.1	9366	9	400.0			
9333	9	372.9	9367	9	400.8	9400	9	428.2

Use check point at 9450 Kc

Frequency: 9500-9600 Kc

Freq.	A	B	Freq.	A	B	Freq.	A	B
9500	9	510.9	9534	9	539.1	9568	9	567.3
9501	9	511.7	9535	9	540.0	9569	9	568.2
9502	9	512.5	9536	9	540.8			
9503	9	513.4	9537	9	541.6	9570	9	569.0
9504	9	514.2	9538	9	542.5	9571	9	569.8
9505	9	515.0	9539	9	543.3	9572	9	570.6
9506	9	515.9				9573	9	571.5
9507	9	516.7	9540	9	544.1	9574	9	572.3
9508	9	517.5	9541	9	544.9	9575	9	573.1
9509	9	518.4	9542	9	545.8	9576	9	574.0
			9543	9	546.6	9577	9	574.8
9510	9	519.2	9544	9	547.4	9578	9	575.6
9511	9	520.0	9545	9	548.3	9579	9	576.4
9512	9	520.8	9546	9	549.1			
9513	9	521.7	9547	9	549.9	9580	9	577.3
9514	9	522.5	9548	9	550.7	9581	9	578.1
9515	9	523.3	9549	9	551.6	9582	9	578.9
9516	9	524.2				9583	9	579.8
9517	9	525.0	9550	9	552.4	9584	9	580.6
9518	9	525.8	9551	9	553.2	9585	9	581.4
9519	9	526.7	9552	9	554.1	9586	9	582.2
			9553	9	554.9	9587	9	583.1
9520	9	527.5	9554	9	555.7	9588	9	583.9
9521	9	528.3	9555	9	556.5	9589	9	584.7
9522	9	529.2	9556	9	557.4			
9523	9	530.0	9557	9	558.2	9590	9	585.6
9524	9	530.8	9558	9	559.0	9591	9	586.4
9525	9	531.7	9559	9	559.9	9592	9	587.2
9526	9	532.5				9593	9	588.1
9527	9	533.3	9560	9	560.7	9594	9	588.9
9528	9	534.1	9561	9	561.5	9595	9	589.7
9529	9	535.0	9562	9	562.4	9596	9	590.6
			9563	9	563.2	9597	9	591.4
9530	9	535.8	9564	9	564.0	9598	9	592.2
9531	9	536.6	9565	9	564.8	9599	9	593.1
9532	9	537.5	9566	9	565.7			
9533	9	538.3	9567	9	566.5	9600	9	593.9

Use check point at 9450 Kc

AN 08-30 ART 13-3

TABLE 5-2. CALIBRATION OF RADIO TRANSMITTER T-47A/ART-13 OR T-47/ART-13 WHEN MCW-CFI 8Q-2 UNIT IS USED. (Continued)

Frequency: 9600-9700 Kc						Frequency: 9800-9900 Kc					
Freq.	A	B	Freq.	A	B	Freq.	A	B	Freq.	A	B
9600	9	593.9	9634	9	622.2	9668	9	650.4	9800	9	760.1
9601	9	564.7	9635	9	623.0	9669	9	651.2	9801	9	761.0
9602	9	595.5	9636	9	623.8				9802	9	761.8
9603	9	596.4	9637	9	624.6	9670	9	652.1	9803	9	762.6
9604	9	597.2	9638	9	625.5	9671	9	652.9	9804	9	763.5
9605	9	598.0	9639	9	626.3	9672	9	653.7	9805	9	764.3
9606	9	598.9				9673	9	654.6	9806	9	765.1
9607	9	599.7	9640	9	627.1	9674	9	655.4	9807	9	766.0
9608	9	600.5	9641	9	628.0	9675	9	656.2	9808	9	766.8
9609	9	601.4	9642	9	628.8	9676	9	657.1	9809	9	767.6
			9643	9	629.6	9677	9	657.9			
9610	9	602.2	9644	9	630.5	9678	9	658.7	9810	9	768.5
9611	9	603.0	9645	9	631.3	9679	9	659.6	9811	9	769.3
9612	9	603.9	9646	9	632.1				9812	9	770.1
9613	9	604.7	9647	9	633.0	9680	9	660.4	9813	9	770.9
9614	9	605.5	9648	9	633.8	9681	9	661.2	9814	9	771.8
9615	9	606.4	9649	9	634.6	9682	9	662.0	9815	9	772.6
9616	9	607.2				9683	9	662.9	9816	9	773.4
9617	9	608.0	9650	9	635.5	9684	9	663.7	9817	9	774.2
9618	9	608.9	9651	9	636.3	9685	9	664.5	9818	9	775.1
9619	9	609.7	9652	9	637.1	9686	9	665.4	9819	9	775.9
			9653	9	637.9	9687	9	666.2			
9620	9	610.5	9654	9	638.8	9688	9	667.0	9820	9	776.7
9621	9	611.3	9655	9	639.6	9689	9	667.9	9821	9	777.5
9622	9	612.2	9656	9	640.4				9822	9	778.4
9623	9	613.0	9657	9	641.3	9690	9	668.7	9823	9	779.2
9624	9	613.8	9658	9	642.1	9691	9	669.5	9824	9	780.0
9625	9	614.7	9659	9	642.9	9692	9	670.3	9825	9	780.9
9626	9	615.5				9693	9	671.2	9826	9	781.7
9627	9	616.3	9660	9	643.8	9694	9	672.0	9827	9	782.5
9628	9	617.2	9661	9	644.6	9695	9	672.8	9828	9	783.3
9629	9	618.0	9662	9	645.4	9696	9	673.7	9829	9	784.2
			9663	9	646.3	9697	9	674.5			
9630	9	618.8	9664	9	647.1	9698	9	675.3	9830	9	785.0
9631	9	619.7	9665	9	647.9	9699	9	676.2	9831	9	785.8
9632	9	620.5	9666	9	648.7				9832	9	786.6
9633	9	621.3	9667	9	649.6	9700	9	677.0	9833	9	787.5

Frequency: 9700-9800 Kc						Frequency: 9900-10000 Kc					
Freq.	A	B	Freq.	A	B	Freq.	A	B	Freq.	A	B
9700	9	677.0	9734	9	706.2	9768	9	733.5	9900	9	843.8
9701	9	677.8	9735	9	706.0	9769	9	734.3	9901	9	843.8
9702	9	678.5	9736	9	706.9				9902	9	844.7
9703	9	679.5	9737	9	707.7	9770	9	735.1	9903	9	845.5
9704	9	680.3	9738	9	708.5	9771	9	736.0	9904	9	846.3
9705	9	681.1	9739	9	709.4	9772	9	736.8	9905	9	847.1
9706	9	682.0				9773	9	737.6	9906	9	847.9
9707	9	682.8	9740	9	710.2	9774	9	738.5	9907	9	848.8
9708	9	683.6	9741	9	711.0	9775	9	739.3	9908	9	849.6
9709	9	684.5	9742	9	711.9	9776	9	740.1	9909	9	850.4
			9743	9	712.7	9777	9	741.0			
9710	9	685.3	9744	9	713.5	9778	9	741.8	9910	9	851.2
9711	9	686.1	9745	9	714.4	9779	9	742.6	9911	9	852.1
9712	9	686.9	9746	9	715.2				9912	9	852.9
9713	9	687.8	9747	9	716.0	9780	9	743.5	9913	9	853.7
9714	9	688.6	9748	9	716.9	9781	9	744.3	9914	9	854.5
9715	9	689.4	9749	9	717.7	9782	9	745.1	9915	9	855.4
9716	9	690.3				9783	9	746.0	9916	9	856.2
9717	9	691.1	9750	9	718.5	9784	9	746.8	9917	9	857.0
9718	9	691.9	9751	9	719.3	9785	9	747.6	9918	9	857.8
9719	9	692.8	9752	9	720.2	9786	9	748.5	9919	9	858.7
			9753	9	721.0	9787	9	749.3			
9720	9	693.6	9754	9	721.8	9788	9	750.1	9920	9	859.5
9721	9	694.4	9755	9	722.7	9789	9	751.0	9921	9	860.3
9722	9	695.2	9756	9	723.5				9922	9	861.1
9723	9	696.1	9757	9	724.3	9790	9	751.8	9923	9	862.0
9724	9	696.9	9758	9	725.2	9791	9	752.6	9924	9	862.8
9725	9	697.7	9759	9	726.0	9792	9	753.5	9925	9	863.6
9726	9	698.6				9793	9	754.3	9926	9	864.4
9727	9	699.4	9760	9	726.8	9794	9	755.1	9927	9	865.3
9728	9	700.2	9761	9	727.7	9795	9	756.0	9928	9	866.1
9729	9	701.1	9762	9	728.5	9796	9	756.8	9929	9	866.9
			9763	9	729.3	9797	9	757.6			
9730	9	701.9	9764	9	730.1	9798	9	758.5	9930	9	867.7
9731	9	702.7	9765	9	731.0	9799	9	759.3	9931	9	868.6
9732	9	703.6	9766	9	731.8				9932	9	869.4
9733	9	704.4	9767	9	732.6	9800	9	760.1	9933	9	870.2

Use check point at 9450 or 9900 Kc, whichever is nearer

Use check point at 9900 Kc

Use check point at 9900 Kc

Use check point at 9900 Kc

SECTION V

AN 08-30 ART 13-3

**TABLE 5-2. CALIBRATION OF RADIO TRANSMITTER
T-47A/ART-13 OR T-47/ART-13 WHEN MCW-CFI 8Q-2 UNIT
IS USED. (Continued)**

Frequency: 10000-10100 Kc

Freq.	A	B	Freq.	A	B	Freq.	A	B
10000	9	925.5	10034	9	953.5	10068	9	981.4
10001	9	926.3	10035	9	954.3	10069	9	982.2
10002	9	927.1	10036	9	955.2			
10003	9	928.0	10037	9	956.0	10070	9	983.0
10004	9	928.8	10038	9	956.8	10071	9	983.9
10005	9	929.6	10039	9	957.6	10072	9	984.7
10006	9	930.4				10073	9	985.5
10007	9	931.3	10040	9	958.4	10074	9	986.3
10008	9	932.1	10041	9	959.3	10075	9	987.1
10009	9	932.9	10042	9	960.1	10076	9	988.0
			10043	9	960.9	10077	9	988.8
10010	9	933.7	10044	9	961.7	10078	9	989.6
10011	9	934.6	10045	9	962.5	10079	9	990.4
10012	9	935.4	10046	9	963.4			
10013	9	936.2	10047	9	964.2	10080	9	991.2
10014	9	937.0	10048	9	965.0	10081	9	992.1
10015	9	937.8	10049	9	965.8	10082	9	992.9
10016	9	938.7				10083	9	993.7
10017	9	939.5	10050	9	966.6	10084	9	994.5
10018	9	940.3	10051	9	967.5	10085	9	995.4
10019	9	941.1	10052	9	968.3	10086	9	996.2
			10053	9	969.1	10087	9	997.0
10020	9	942.0	10054	9	969.9	10088	9	997.8
10021	9	942.8	10055	9	970.7	10089	9	998.6
10022	9	943.6	10056	9	971.6			
10023	9	944.4	10057	9	972.4	10090	9	999.5
10024	9	945.3	10058	9	973.2	10091	9	1000.3
10025	9	946.1	10059	9	974.0	10092	9	1001.1
10026	9	946.9				10093	9	1001.9
10027	9	947.7	10060	9	974.8	10094	9	1002.8
10028	9	948.6	10061	9	975.7	10095	9	1003.6
10029	9	949.4	10062	9	976.5	10096	9	1004.4
			10063	9	977.3	10097	9	1005.2
10030	9	950.2	10064	9	978.1	10098	9	1006.0
10031	9	951.0	10065	9	978.9	10099	9	1006.9
10032	9	951.9	10066	9	979.8			
10033	9	952.7	10067	9	980.6	10100	9	1007.7

Use check point at 9900 Kc

Frequency: 10200-10300 Kc

Freq.	A	B	Freq.	A	B	Freq.	A	B
10200	9	1089.7	10234	9	1117.4	10268	9	1145.1
10201	9	1090.5	10235	9	1118.2	10269	9	1145.9
10202	9	1091.3	10236	9	1119.0			
10203	9	1092.1	10237	9	1119.9	10270	9	1146.7
10204	9	1092.9	10238	9	1120.7	10271	9	1147.6
10205	9	1093.8	10239	9	1121.5	10272	9	1148.4
10206	9	1094.6				10273	9	1149.2
10207	9	1095.4	10240	9	1122.3	10274	9	1150.0
10208	9	1096.2	10241	9	1123.1	10275	9	1150.8
10209	9	1097.0	10242	9	1123.9	10276	9	1151.6
			10243	9	1124.7	10277	9	1152.4
10210	9	1097.8	10244	9	1125.6	10278	9	1153.3
10211	9	1098.6	10245	9	1126.4	10279	9	1154.1
10212	9	1099.5	10246	9	1127.2			
10213	9	1100.3	10247	9	1128.0	10280	9	1154.9
10214	9	1101.1	10248	9	1128.8	10281	9	1155.7
10215	9	1101.9	10249	9	1129.6	10282	9	1156.5
10216	9	1102.7				10283	9	1157.3
10217	9	1103.5	10250	9	1130.5	10284	9	1158.1
10218	9	1104.4	10251	9	1131.3	10285	9	1158.9
10219	9	1105.2	10252	9	1132.1	10286	9	1159.8
			10253	9	1132.9	10287	9	1160.6
10220	9	1106.0	10254	9	1133.7	10288	9	1161.4
10221	9	1106.8	10255	9	1134.5	10289	9	1162.2
10222	9	1107.6	10256	9	1135.3			
10223	9	1108.4	10257	9	1136.2	10290	9	1163.0
10224	9	1109.2	10258	9	1137.0	10291	9	1163.8
10225	9	1110.1	10259	9	1137.8	10292	9	1164.6
10226	9	1110.9				10293	9	1165.5
10227	9	1111.7	10260	9	1138.6	10294	9	1166.3
10228	9	1112.5	10261	9	1139.4	10295	9	1167.1
10229	9	1113.3	10262	9	1140.2	10296	9	1167.9
			10263	9	1141.0	10297	9	1168.7
10230	9	1114.1	10264	9	1141.9	10298	9	1169.5
10231	9	1115.0	10265	9	1142.7	10299	9	1170.3
10232	9	1115.8	10266	9	1143.5			
10233	9	1116.6	10267	9	1144.3	10300	9	1171.2

Use check point at 10350 Kc

Frequency: 10100-10200 Kc

Freq.	A	B	Freq.	A	B	Freq.	A	B
10100	9	1007.7	10134	9	1035.7	10168	9	1063.6
10101	9	1008.5	10135	9	1036.5	10169	9	1064.4
10102	9	1009.3	10136	9	1037.3			
10103	9	1010.2	10137	9	1038.1	10170	9	1065.3
10104	9	1011.0	10138	9	1038.9	10171	9	1066.1
10105	9	1011.8	10139	9	1039.8	10172	9	1066.9
10106	9	1012.6				10173	9	1067.7
10107	9	1013.5	10140	9	1040.6	10174	9	1068.5
10108	9	1014.3	10141	9	1041.4	10175	9	1069.3
10109	9	1015.1	10142	9	1042.2	10176	9	1070.1
			10143	9	1043.1	10177	9	1071.0
10110	9	1015.9	10144	9	1043.9	10178	9	1071.8
10111	9	1016.7	10145	9	1044.7	10179	9	1072.6
10112	9	1017.6	10146	9	1045.5			
10113	9	1018.4	10147	9	1046.3	10180	9	1073.4
10114	9	1019.2	10148	9	1047.2	10181	9	1074.2
10115	9	1020.0	10149	9	1048.0	10182	9	1075.0
10116	9	1020.9				10183	9	1075.8
10117	9	1021.7	10150	9	1048.8	10184	9	1076.7
10118	9	1022.5	10151	9	1049.6	10185	9	1077.5
10119	9	1023.3	10152	9	1050.5	10186	9	1078.3
			10153	9	1051.3	10187	9	1079.1
10120	9	1024.1	10154	9	1052.1	10188	9	1079.9
10121	9	1025.0	10155	9	1052.9	10189	9	1080.7
10122	9	1025.8	10156	9	1053.7			
10123	9	1026.6	10157	9	1054.6	10190	9	1081.5
10124	9	1027.4	10158	9	1055.4	10191	9	1082.4
			10159	9	1056.2	10192	9	1083.2
10125	9	1028.3				10193	9	1084.0
10126	9	1029.1	10160	9	1057.0	10194	9	1084.8
10127	9	1029.9	10161	9	1057.9	10195	9	1085.6
10128	9	1030.7	10162	9	1058.7	10196	9	1086.4
10129	9	1031.5	10163	9	1059.5	10197	9	1087.2
			10164	9	1060.3	10198	9	1088.1
10130	9	1032.4	10165	9	1061.1	10199	9	1088.9
10131	9	1033.2	10166	9	1062.0			
10132	9	1034.0	10167	9	1062.8	10200	9	1089.7

Use check point at 9900 or 10350 Kc, whichever is nearer

Frequency: 10300-10400 Kc

Freq.	A	B	Freq.	A	B	Freq.	A	B
10300	9	1171.2	10334	9	1198.8	10368	9	1226.4
10301	9	1172.0	10335	9	1199.6	10369	9	1227.2
10302	9	1172.8	10336	9	1200.4			
10303	9	1173.6	10337	9	1201.2	10370	9	1228.0
10304	9	1174.4	10338	9	1202.0	10371	9	1228.8
10305	9	1175.2	10339	9	1202.8	10372	9	1229.6
10306	9	1176.0				10373	9	1230.4
10307	9	1176.8	10340	9	1203.7	10374	9	1231.3
10308	9	1177.7	10341	9	1204.5	10375	9	1232.1
10309	9	1178.5	10342	9	1205.3	10376	9	1232.9
			10343	9	1206.1	10377	9	1233.7
10310	9	1179.3	10344	9	1206.9	10378	9	1234.5
10311	9	1180.1	10345	9	1207.7	10379	9	1235.3
10312	9	1180.9	10346	9	1208.5			
10313	9	1181.7	10347	9	1209.3	10380	9	1236.1
10314	9	1182.5	10348	9	1210.1	10381	9	1236.9
10315	9	1183.4	10349	9	1211.0	10382	9	1237.7
10316	9	1184.2				10383	9	1238.6
10317	9	1185.0	10350	9	1211.8	10384	9	1239.4
10318	9	1185.8	10351	9	1212.6	10385	9	1240.2
10319	9	1186.6	10352	9	1213.4	10386	9	1241.0
			10353	9	1214.2	10387	9	1241.8
10320	9	1187.4	10354	9	1215.0	10388	9	1242.6
10321	9	1188.2	10355	9	1215.8	10389	9	1243.4
10322	9	1189.0	10356	9	1216.6			
10323	9	1189.8	10357	9	1217.5	10390	9	1244.2
10324	9	1190.7	10358	9	1218.3	10391	9	1245.1
10325	9	1191.5	10359	9	1219.1	10392	9	1245.9
10326	9	1192.3				10393	9	1246.7
10327	9	1193.1	10360	9	1219.9	10394	9	

AN 08-30 ART 13-3

**TABLE 5-2. CALIBRATION OF RADIO TRANSMITTER
T-47A/ART-13 OR T-47/ART-13 WHEN MCW-CFI 8Q-2 UNIT
IS USED. (Continued)**

Frequency: 10400-10500 Kc

Freq.	A	B	Freq.	A	B	Freq.	A	B
10400	9	1252 4	10434	9	1280 0	10468	9	1307 7
10401	9	1253 2	10435	9	1280 8	10469	9	1308 5
10402	9	1254 0	10436	9	1281 6			
10403	9	1254 8	10437	9	1282 4	10470	9	1309 3
10404	9	1255 6	10438	9	1283 2	10471	9	1310 1
10405	9	1256 4	10439	9	1284 0	10472	9	1310 9
10406	9	1257 2				10473	9	1311 7
10407	9	1258 0	10440	9	1284 8	10474	9	1312 5
10408	9	1258 9	10441	9	1285 7	10475	9	1313 4
10409	9	1259 7	10442	9	1286 5	10476	9	1314 2
			10443	9	1287 3	10477	9	1315 0
10410	9	1260 5	10444	9	1288 1	10478	9	1315 8
10411	9	1261 3	10445	9	1288 9	10479	9	1316 6
10412	9	1262 1	10446	9	1289 7			
10413	9	1262 9	10447	9	1290 5	10480	9	1317 4
10414	9	1263 7	10448	9	1291 4	10481	9	1318 3
10415	9	1264 5	10449	9	1292 2	10482	9	1319 1
10416	9	1265 4				10483	9	1319 9
10417	9	1266 2	10450	9	1293 0	10484	9	1320 7
10418	9	1267 0	10451	9	1293 8	10485	9	1321 5
10419	9	1267 8	10452	9	1294 6	10486	9	1322 3
			10453	9	1295 4	10487	9	1323 1
10420	9	1268 6	10454	9	1296 3	10488	9	1324 0
10421	9	1269 4	10455	9	1297 1	10489	9	1324 8
10422	9	1270 2	10456	9	1297 9			
10423	9	1271 0	10457	9	1298 7	10490	9	1325 6
10424	9	1271 8	10458	9	1299 5	10491	9	1326 4
10425	9	1272 7	10459	9	1300 3	10492	9	1327 2
10426	9	1273 5				10493	9	1328 0
10427	9	1274 3	10460	9	1301 1	10494	9	1328 8
10428	9	1275 1	10461	9	1302 0	10495	9	1329 7
10429	9	1275 9	10462	9	1302 8	10496	9	1330 5
			10463	9	1303 6	10497	9	1331 3
10430	9	1276 7	10464	9	1304 4	10498	9	1332 1
10431	9	1277 5	10465	9	1305 2	10499	9	1332 9
10432	9	1278 3	10466	9	1306 0			
10433	9	1279 2	10467	9	1306 8	10500	9	1333 7

Use check point at 10350 Kc

Frequency: 10600-10700 Kc

Freq.	A	B	Freq.	A	B	Freq.	A	B
10600	9	1415 0	10634	9	1442 7	10668	9	1470 3
10601	9	1415 9	10635	9	1443 5	10669	9	1471 1
10602	9	1416 7	10636	9	1444 3			
10603	9	1417 5	10637	9	1445 1	10670	9	1472 0
10604	9	1418 3	10638	9	1446 0	10671	9	1472 8
10605	9	1419 1	10639	9	1446 8	10672	9	1473 6
10606	9	1419 9				10673	9	1474 4
10607	9	1420 8	10640	9	1447 6	10674	9	1475 3
10608	9	1421 6	10641	9	1448 4	10675	9	1476 1
10609	9	1422 4	10642	9	1449 2	10676	9	1476 9
			10643	9	1450 0	10677	9	1477 7
10610	9	1423 2	10644	9	1450 8	10678	9	1478 5
10611	9	1424 0	10645	9	1451 6	10679	9	1479 4
10612	9	1424 8	10646	9	1452 4			
10613	9	1425 6	10647	9	1453 3	10680	9	1480 2
10614	9	1426 5	10648	9	1454 1	10681	9	1481 0
10615	9	1427 3	10649	9	1454 9	10682	9	1481 8
10616	9	1428 1				10683	9	1482 7
10617	9	1428 9	10650	9	1455 7	10684	9	1483 5
10618	9	1429 7	10651	9	1456 5	10685	9	1484 3
10619	9	1430 5	10652	9	1457 3	10686	9	1485 1
			10653	9	1458 1	10687	9	1485 9
10620	9	1431 4	10654	9	1458 9	10688	9	1486 8
10621	9	1432 2	10655	9	1459 7	10689	9	1487 6
10622	9	1433 0	10656	9	1460 6			
10623	9	1433 8	10657	9	1461 4	10690	9	1488 4
10624	9	1434 6	10658	9	1462 2	10691	9	1489 2
10625	9	1435 4	10659	9	1463 0	10692	9	1490 0
10626	9	1436 2				10693	9	1490 9
10627	9	1437 0	10660	9	1463 8	10694	9	1491 7
10628	9	1437 8	10661	9	1464 6	10695	9	1492 5
10629	9	1438 7	10662	9	1465 4	10696	9	1493 3
			10663	9	1466 2	10697	9	1494 2
10630	9	1439 5	10664	9	1467 0	10698	9	1495 0
10631	9	1440 3	10665	9	1467 9	10699	9	1495 8
10632	9	1441 1	10666	9	1468 7			
10633	9	1441 9	10667	9	1469 5	10700	9	1496 6

Use check point at 10600 Kc

Frequency: 10500-10600 Kc

Freq.	A	B	Freq.	A	B	Freq.	A	B
10500	9	1333 7	10534	9	1361 4	10568	9	1389 0
10501	9	1334 5	10535	9	1362 2	10569	9	1389 8
10502	9	1335 3	10536	9	1363 0			
10503	9	1336 2	10537	9	1363 8	10570	9	1390 6
10504	9	1337 0	10538	9	1364 6	10571	9	1391 4
10505	9	1337 8	10539	9	1365 4	10572	9	1392 2
10506	9	1338 6				10573	9	1393 0
10507	9	1339 4	10540	9	1366 2	10574	9	1393 8
10508	9	1340 2	10541	9	1367 0	10575	9	1394 6
10509	9	1341 0	10542	9	1367 9	10576	9	1395 5
			10543	9	1368 7	10577	9	1396 3
10510	9	1341 9	10544	9	1369 5	10578	9	1397 1
10511	9	1342 7	10545	9	1370 3	10579	9	1397 9
10512	9	1343 5	10546	9	1371 1			
10513	9	1344 3	10547	9	1371 9	10580	9	1398 7
10514	9	1345 1	10548	9	1372 7	10581	9	1399 5
10515	9	1345 9	10549	9	1373 5	10582	9	1400 4
10516	9	1346 7				10583	9	1401 2
10517	9	1347 5	10550	9	1374 3	10584	9	1402 0
10518	9	1348 4	10551	9	1375 2	10585	9	1402 8
10519	9	1349 2	10552	9	1376 0	10586	9	1403 6
			10553	9	1376 8	10587	9	1404 4
10520	9	1350 0	10554	9	1377 6	10588	9	1405 2
10521	9	1350 8	10555	9	1378 4	10589	9	1406 1
10522	9	1351 6	10556	9	1379 2			
10523	9	1352 4	10557	9	1380 0	10590	9	1406 9
10524	9	1353 2	10558	9	1380 8	10591	9	1407 7
10525	9	1354 1	10559	9	1381 7	10592	9	1408 5
10526	9	1354 9				10593	9	1409 3
10527	9	1355 7	10560	9	1382 5	10594	9	1410 1
10528	9	1356 5	10561	9	1383 3	10595	9	1411 0
10529	9	1357 3	10562	9	1384 1	10596	9	1411 8
			10563	9	1384 9	10597	9	1412 6
10530	9	1358 1	10564	9	1385 7	10598	9	1413 4
10531	9	1358 9	10565	9	1386 5	10599	9	1414 2
10532	9	1359 7	10566	9	1387 3			
10533	9	1360 5	10567	9	1388 1	10600	9	1415 0

Use check point at 10350 or 10600 Kc, whichever is nearer

Frequency: 10700-10800 Kc

Freq.	A	B	Freq.	A	B	Freq.	A	B
10700	9	1496 6	10734	9	1524 5	10768	9	1552 4
10701	9	1497 4	10735	9	1525 3	10769	9	1553 3
10702	9	1498 3	10736	9	1526 1			
10703	9	1499 1	10737	9	1527 0	10770	9	1554 1
10704	9	1499 9	10738	9	1527 8	10771	9	1554 9
10705	9	1500 7	10739	9	1528 6	10772	9	1555 8
10706	9	1501 5				10773	9	1556 6
10707	9	1502 4	10740	9	1529 4	10774	9	1557 4
10708	9	1503 2	10741	9	1530 2	10775	9	1558 2
10709	9	1504 0	10742	9	1531 1	10776	9	1559 1
			10743	9	1531 9	10777	9	1559 9
10710	9	1504 8	10744	9	1532 7	10778	9	1560 7
10711	9	1505 7	10745	9	1533 5	10779	9	1561 5
10712	9	1506 5	10746	9	1534 3			
10713	9	1507 3	10747	9	1535 2	10780	9	1562 4
10714	9	1508 1	10748	9	1536 0	10781	9	1563 2
10715	9	1508 9	10749	9	1536 8	10782	9	1564 0
10716	9	1509 8				10783	9	1564 8
10717	9	1510 6	10750	9	1537 6	10784	9	1565 7
10718	9	1511 4	10751	9	1538 4	10785	9	1566 5
10719	9	1512 2	10752	9	1539 3	10786	9	1567 3
			10753	9	1540 1	10787	9	1568 1
10720	9	1513 0	10754	9	1540 9	10788	9	1569 0
10721	9	1513 9	10755	9	1541 7	10789	9	1569 8
10722	9	1514 7	10756	9	1542 5			
10723	9	1515 5	10757	9	1543 4	10790	9	1570 6
10724	9	1516 3	10758	9	1544 2	10791	9	1571 4
10725	9	1517 1	10759	9	1545 0	10792	9	1572 3
10726	9	1518 0				10		

**TABLE 5-2. CALIBRATION OF RADIO TRANSMITTER
T-47A/ART-13 OR T-47/ART-13 WHEN MCW-CFI 8Q-2 UNIT
IS USED. (Continued)**

Frequency: 10800-10900 Kc

Freq.	A	B	Freq.	A	B	Freq.	A	B
10800	10	60.0	10834	10	83.2	10868	10	106.3
10801	10	60.7	10835	10	83.8	10869	10	107.0
10802	10	61.4	10836	10	84.5			
10803	10	62.0	10837	10	85.2	10870	10	107.7
10804	10	62.7	10838	10	85.9	10871	10	108.4
10805	10	63.4	10839	10	86.6	10872	10	109.1
10806	10	64.1				10873	10	109.7
10807	10	64.8	10840	10	87.3	10874	10	110.4
10808	10	65.5	10841	10	87.9	10875	10	111.1
10809	10	66.1	10842	10	88.6	10876	10	111.8
			10843	10	89.3	10877	10	112.5
10810	10	66.8	10844	10	90.0	10878	10	113.1
10811	10	67.5	10845	10	90.7	10879	10	113.8
10812	10	68.2	10846	10	91.3			
10813	10	68.9	10847	10	92.0	10880	10	114.5
10814	10	69.5	10848	10	92.7	10881	10	115.2
10815	10	70.2	10849	10	93.4	10882	10	115.9
10816	10	70.9				10883	10	116.6
10817	10	71.6	10850	10	94.1	10884	10	117.2
10818	10	72.3	10851	10	94.7	10885	10	117.9
10819	10	72.9	10852	10	95.4	10886	10	118.6
			10853	10	96.1	10887	10	119.3
10820	10	73.6	10854	10	96.8	10888	10	120.0
10821	10	74.3	10855	10	97.5	10889	10	120.6
10822	10	75.0	10856	10	98.2			
10823	10	75.7	10857	10	98.8	10890	10	121.3
10824	10	76.4	10858	10	99.5	10891	10	122.0
10825	10	77.0	10859	10	100.2	10892	10	122.7
10826	10	77.7				10893	10	123.4
10827	10	78.4	10860	10	100.9	10894	10	124.0
10828	10	79.1	10861	10	101.6	10895	10	124.7
10829	10	79.8	10862	10	102.2	10896	10	125.4
			10863	10	102.9	10897	10	126.1
10830	10	80.4	10864	10	103.6	10898	10	126.7
10831	10	81.1	10865	10	104.3	10899	10	127.4
10832	10	81.8	10866	10	105.0			
10833	10	82.5	10867	10	105.6	10900	10	128.1

Use check point at 10800 Kc

Frequency: 11000-11100 Kc

Freq.	A	B	Freq.	A	B	Freq.	A	B
11000	10	195.7	11034	10	218.7	11068	10	241.6
11001	10	196.4	11035	10	219.3	11069	10	242.3
11002	10	197.1	11036	10	220.0			
11003	10	197.7	11037	10	220.7	11070	10	243.0
11004	10	198.4	11038	10	221.4	11071	10	243.6
11005	10	199.1	11039	10	222.0	11072	10	244.3
11006	10	199.8				11073	10	245.0
11007	10	200.4	11040	10	222.7	11074	10	245.7
11008	10	201.1	11041	10	223.4	11075	10	246.4
11009	10	201.8	11042	10	224.1	11076	10	247.0
			11043	10	224.7	11077	10	247.7
11010	10	202.5	11044	10	225.4	11078	10	248.4
11011	10	203.1	11045	10	226.1	11079	10	249.1
11012	10	203.8	11046	10	226.8			
11013	10	204.5	11047	10	227.4	11080	10	249.7
11014	10	205.2	11048	10	228.1	11081	10	250.4
11015	10	205.8	11049	10	228.8	11082	10	251.1
11016	10	206.5				11083	10	251.8
11017	10	207.2	11050	10	229.5	11084	10	252.5
11018	10	207.9	11051	10	230.1	11085	10	253.1
11019	10	208.5	11052	10	230.8	11086	10	253.8
			11053	10	231.5	11087	10	254.5
11020	10	209.2	11054	10	232.2	11088	10	255.2
11021	10	209.9	11055	10	232.8	11089	10	255.9
11022	10	210.6	11056	10	233.5			
11023	10	211.2	11057	10	234.2	11090	10	256.5
11024	10	211.9	11058	10	234.9	11091	10	257.2
			11059	10	235.5	11092	10	257.9
11025	10	212.6				11093	10	258.6
11026	10	213.3	11060	10	236.2	11094	10	259.2
11027	10	213.9	11061	10	236.9	11095	10	259.9
11028	10	214.6	11062	10	237.6	11096	10	260.6
11029	10	215.3	11063	10	238.2	11097	10	261.3
			11064	10	238.9	11098	10	262.0
11030	10	216.0	11065	10	239.6	11099	10	262.6
11031	10	216.6						
11032	10	217.3	11066	10	240.3			
11033	10	218.0	11067	10	240.9			

Use check point at 10800 or 11250 Kc, whichever is nearer

Frequency: 10900-11000 Kc

Freq.	A	B	Freq.	A	B	Freq.	A	B
10900	10	128.1	10934	10	151.1	10968	10	174.1
10901	10	128.8	10935	10	151.8	10969	10	174.8
10902	10	129.4	10936	10	152.5			
10903	10	130.1	10937	10	153.2	10970	10	175.4
10904	10	130.8	10938	10	153.8	10971	10	176.1
10905	10	131.5	10939	10	154.5	10972	10	176.8
10906	10	132.2				10973	10	177.5
10907	10	132.8	10940	10	155.2	10974	10	178.1
10908	10	133.5	10941	10	155.9	10975	10	178.8
10909	10	134.2	10942	10	156.5	10976	10	179.5
			10943	10	157.2	10977	10	180.2
10910	10	134.9	10944	10	157.9	10978	10	180.8
10911	10	135.5	10945	10	158.6	10979	10	181.5
10912	10	136.2	10946	10	159.2			
10913	10	136.9	10947	10	159.9	10980	10	182.2
10914	10	137.6	10948	10	160.6	10981	10	182.9
10915	10	138.2	10949	10	161.3	10982	10	183.5
10916	10	138.9				10983	10	184.2
10917	10	139.6	10950	10	161.9	10984	10	184.9
10918	10	140.3	10951	10	162.6	10985	10	185.6
10919	10	141.0	10952	10	163.3	10986	10	186.2
			10953	10	164.0	10987	10	186.9
10920	10	141.6	10954	10	164.6	10988	10	187.6
10921	10	142.3	10955	10	165.3	10989	10	188.3
10922	10	143.0	10956	10	166.0			
10923	10	143.7	10957	10	166.7	10990	10	188.9
10924	10	144.3	10958	10	167.3	10991	10	189.6
10925	10	145.0	10959	10	168.0	10992	10	190.3
10926	10	145.7				10993	10	191.0
10927	10	146.4	10960	10	168.7	10994	10	191.6
10928	10	147.0	10961	10	169.4	10995	10	192.3
10929	10	147.7	10962	10	170.0	10996	10	193.0
			10963	10	170.7	10997	10	193.7
10930	10	148.4	10964	10	171.4	10998	10	194.3
10931	10	149.1	10965	10	172.1	10999	10	195.0
10932	10	149.8	10966	10	172.7			
10933	10	150.4	10967	10	173.4	11000	10	195.7

Use check point of 10800 Kc

Frequency: 11100-11200 Kc

Freq.	A	B	Freq.	A	B	Freq.	A	B
11100	10	263.3	11134	10	286.3	11168	10	309.3
11101	10	264.0	11135	10	287.0	11169	10	310.0
11102	10	264.7	11136	10	287.7			
11103	10	265.4	11137	10	288.4	11170	10	310.7
11104	10	266.0	11138	10	289.0	11171	10	311.4
11105	10	266.7	11139	10	289.7	11172	10	312.1
11106	10	267.4				11173	10	312.7
11107	10	268.1	11140	10	290.4	11174	10	313.4
11108	10	268.7	11141	10	291.1	11175	10	314.1
11109	10	269.4	11142	10	291.7	11176	10	314.8
			11143	10	292.4	11177	10	315.4
11110	10	270.1	11144	10	293.1	11178	10	316.1
11111	10	270.8	11145	10	293.8	11179	10	316.8
11112	10	271.5	11146	10	294.4			
11113	10	272.1	11147	10	295.1	11180	10	317.5
11114	10	272.8	11148	10	295.8	11181	10	318.2
11115	10	273.5	11149	10	296.5	11182	10	318.8
11116	10	274.2				11183	10	319.5
11117	10	274.9	11150	10	297.1	11184	10	320.2
11118	10	275.5	11151	10	297.8	11185	10	320.9
11119	10	276.2	11152	10	298.5	11186	10	321.6
			11153	10	299.2	11187	10	322.2
11120	10	276.9	11154	10	299.8	11188	10	322.9
11121	10	277.6	11155	10	300.5	11189	10	323.6
11122	10	278.2	11156	10	301.2			
11123	10	278.9	11157	10	301.9	11190	10	324.3
11124	10	279.6	11158	10	302.5	11191	10	325.0
11125	10	280.3	11159	10	303.2	11192	10	325.6
11126	10	280.9				11193	10	326.3
1112								

AN 08-30 ART 13-3

**TABLE 5-2. CALIBRATION OF RADIO TRANSMITTER
T-47A/ART-13 OR T-47/ART-13 WHEN MCW-CFI 8Q-2 UNIT
IS USED. (Continued)**

Frequency: 11200-11300 Kc

Freq.	A	B	Freq.	A	B	Freq.	A	B
11200	10	331 1	11234	10	354 2	11268	10	377 3
11201	10	331 8	11235	10	354 9	11269	10	378 0
11202	10	332 4	11236	10	355 6			
11203	10	333 1	11237	10	356 3	11270	10	378 7
11204	10	333 8	11238	10	357 0	11271	10	379 4
11205	10	334 5	11239	10	357 7	11272	10	380 1
11206	10	335 2				11273	10	380 7
11207	10	335 8	11240	10	358 3	11274	10	381 4
11208	10	336 5	11241	10	359 0	11275	10	382 1
11209	10	337 2	11242	10	359 7	11276	10	382 8
			11243	10	360 4	11277	10	383 4
11210	10	337 9	11244	10	361 1	11278	10	384 1
11211	10	338 6	11245	10	361 7	11279	10	384 8
11212	10	339 2	11246	10	362 4			
11213	10	339 9	11247	10	363 1	11280	10	385 5
11214	10	340 6	11248	10	363 8	11281	10	386 1
11215	10	341 3	11249	10	364 5	11282	10	386 8
11216	10	342 0				11283	10	387 5
11217	10	342 7	11250	10	365.2	11284	10	388 2
11218	10	343 3	11251	10	365 8	11285	10	388 8
11219	10	344 0	11252	10	366 5	11286	10	389 5
			11253	10	367 2	11287	10	390 2
11220	10	344 7	11254	10	367 9	11288	10	390 9
11221	10	345 4	11255	10	368 5	11289	10	391 6
11222	10	346 1	11256	10	369 2			
11223	10	346 7	11257	10	369 9	11290	10	392 2
11224	10	347 4	11258	10	370 6	11291	10	392 9
11225	10	348 1	11259	10	371 3	11292	10	393 6
11226	10	348 8				11293	10	394 3
11227	10	349 5	11260	10	371 9	11294	10	394 9
11228	10	350 2	11261	10	372 6	11295	10	395 6
11229	10	350 8	11262	10	373 3	11296	10	396 3
			11263	10	374 0	11297	10	397 0
11230	10	351 5	11264	10	374 6	11298	10	397 7
11231	10	352 2	11265	10	375 3	11299	10	398 4
11232	10	352 9	11266	10	376 0			
11233	10	353 6	11267	10	376 7	11300	10	399 0

Use check point at 11250 Kc

Frequency: 11400-11500 Kc

Freq.	A	B	Freq.	A	B	Freq.	A	B
11400	10	467 4	11434	10	490 6	11468	10	514 1
11401	10	468 1	11435	10	491 3	11469	10	514 8
11402	10	468 8	11436	10	492 0			
11403	10	469 5	11437	10	492 7	11470	10	515 5
11404	10	470 1	11438	10	493 3	11471	10	516 2
11405	10	470 8	11439	10	494 0	11472	10	516 8
11406	10	471 5				11473	10	517 5
11407	10	472 2	11440	10	494 7	11474	10	518 2
11408	10	472 9	11441	10	495 4			
11409	10	473 5	11442	10	496 1	11475	10	518 9
			11443	10	496 8	11476	10	519 6
11410	10	474 2	11444	10	497 5	11477	10	520 3
11411	10	474 9	11445	10	498 2	11478	10	521 0
11412	10	475 6	11446	10	498 9	11479	10	521 7
11413	10	476 3	11447	10	499 6	11480	10	522 3
11414	10	476 9	11448	10	500 3	11481	10	523 0
11415	10	477 6	11449	10	501 0	11482	10	523 7
11416	10	478 3				11483	10	524 4
11417	10	479 0	11450	10	501 6	11484	10	525 1
11418	10	479 7	11451	10	502 3	11485	10	525 8
11419	10	480 3	11452	10	503 0	11486	10	526 4
			11453	10	503 7	11487	10	527 1
11420	10	481 0	11454	10	504 4	11488	10	527 8
11421	10	481 7	11455	10	505 1	11489	10	528 5
11422	10	482 4	11456	10	505 8			
11423	10	483 1	11457	10	506 5	11490	10	529 2
11424	10	483 7	11458	10	507 2	11491	10	529 9
11425	10	484 4	11459	10	507 9	11492	10	530 6
11426	10	485 1				11493	10	531 2
11427	10	485 8	11460	10	508 6	11494	10	531 9
11428	10	486 5	11461	10	509 2	11495	10	532 6
11429	10	487 1	11462	10	509 9	11496	10	533 3
			11463	10	510 6	11497	10	534 0
11430	10	487 8	11464	10	511 3	11498	10	534 7
11431	10	488 5	11465	10	512 0	11499	10	535 3
11432	10	489 2	11466	10	512 7			
11433	10	489 9	11467	10	513 4	11500	10	536 0

Use check point at 11250 or 11700 Kc, whichever is nearer

Frequency: 11300-11400 Kc

Freq.	A	B	Freq.	A	B	Freq.	A	B
11300	10	399 0	11334	10	422 3	11368	10	445 6
11301	10	399 7	11335	10	423 0	11369	10	446 3
11302	10	400 4	11336	10	423 6			
11303	10	401 1	11337	10	424 3	11370	10	446 9
11304	10	401 8	11338	10	425 0	11371	10	447 6
11305	10	402 5	11339	10	425 7	11372	10	448 3
11306	10	403 1				11373	10	449 0
11307	10	403 8	11340	10	426 4	11374	10	449 7
11308	10	404 5	11341	10	427 1	11375	10	450 4
11309	10	405 2	11342	10	427 7	11376	10	451 1
			11343	10	428 4	11377	10	451 7
11310	10	405 9	11344	10	429 1	11378	10	452 4
11311	10	406 6	11345	10	429 8	11379	10	453 1
11312	10	407 2	11346	10	430 5			
11313	10	407 9	11347	10	431 2	11380	10	453 8
11314	10	408 6	11348	10	431 9	11381	10	454 5
11315	10	409 3	11349	10	432 5	11382	10	455 2
11316	10	410 0				11383	10	455 9
11317	10	410 7	11350	10	433 2	11384	10	456 5
11318	10	411 3	11351	10	433 9	11385	10	457 2
11319	10	412 0	11352	10	434 6	11386	10	457 9
			11353	10	435 3	11387	10	458 6
11320	10	412 7	11354	10	436 0	11388	10	459 3
11321	10	413 4	11355	10	436 7	11389	10	460 0
11322	10	414 1	11356	10	437 3			
11323	10	414 8	11357	10	438 0	11390	10	460 6
11324	10	415 4	11358	10	438 7	11391	10	461 3
11325	10	416 1	11359	10	439 4	11392	10	462 0
11326	10	416 8				11393	10	462 7
11327	10	417 5	11360	10	440 1	11394	10	463 4
11328	10	418 2	11361	10	440 8	11395	10	464 0
11329	10	418 9	11362	10	441 5	11396	10	464 7
			11363	10	442 1	11397	10	465 4
11330	10	419 5	11364	10	442 8	11398	10	466 1
11331	10	420 2	11365	10	443 5	11399	10	466 7
11332	10	420 9	11366	10	444 2			
11333	10	421 6	11367	10	444 9	11400	10	467 4

Use check point at 11250 Kc

Frequency: 11500-11600 Kc

Freq.	A	B	Freq.	A	B	Freq.	A	B
11500	10	536 0	11534	10	559 3	11568	10	582 6
11501	10	536 7	11535	10	560 0	11569	10	583 3
11502	10	537 4	11536	10	560 7			
11503	10	538 1	11537	10	561 4	11570	10	584 0
11504	10	538 8	11538	10	562 1	11571	10	584 7
11505	10	539 5	11539	10	562 7	11572	10	585 4
11506	10	540 1				11573	10	586 1
11507	10	540 8	11540	10	563 4	11574	10	586 8
11508	10	541 5	11541	10	564 1	11575	10	587 5
11509	10	542 2	11542	10	564 8	11576	10	588 2
			11543	10	565 5	11577	10	588 8
11510	10	542 9	11544	10	566 2	11578	10	589 5
11511	10	543 6	11545	10	566 9	11579	10	590 2
11512	10	544 2	11546	10	567 5			
11513	10	544 9	11547	10	568 2	11580	10	590 9
11514	10	545 6	11548	10	568 9	11581	10	591 6
11515	10	546 3	11549	10	569 6	11582	10	592 3
11516	10	547 0				11583	10	593 0
11517	10	547 7	11550	10	570 3	11584	10	593 7
11518	10	548 3	11551	10	571 0	11585	10	594 4
11519	10	549 0	11552	10	571 7	11586	10	595 0
			11553	10	572 3	11587	10	595 7
11520	10	549 7	11554	10	573 0	11588	10	596 4
11521	10	550 4	11555	10	573 7	11589	10	597 1
11522	10	551 1	11556	10	574 4			
11523	10	551 8	11557	10	575 1	11590	10	597 8
11524	10	552 5	11558	10	575 8	11591	10	598 5
11525	10	553 1	11559	10	576 5	11592	10	599 2
11526	10	553 8				11593	10	599 9

**TABLE 5-2. CALIBRATION OF RADIO TRANSMITTER
T-47A/ART-13 OR T-47/ART-13 WHEN MCW-CFI 8Q-2 UNIT
IS USED. (Continued)**

Frequency: 11600-11700 Kc

Freq.	A	B	Freq.	A	B	Freq.	A	B
11600	10	604 7	11634	10	628 1	11668	10	651 4
11601	10	605 4	11635	10	628 8	11669	10	652 1
11602	10	606 1	11636	10	629 4			
11603	10	606 8	11637	10	630 1	11670	10	652 8
11604	10	607 4	11638	10	630 8	11671	10	653 5
11605	10	608 1	11639	10	631 5	11672	10	654 2
11606	10	608 8				11673	10	654 9
11607	10	609 5	11640	10	632 2	11674	10	655 6
11608	10	610 2	11641	10	632 9	11675	10	656 2
11609	10	610 9	11642	10	633 6	11676	10	656 9
			11643	10	634 3	11677	10	657 6
11610	10	611 6	11644	10	634 9	11678	10	658 3
11611	10	612 3	11645	10	635 6	11679	10	659 0
11612	10	612 9	11646	10	636 3			
11613	10	613 6	11647	10	637 0	11680	10	659 7
11614	10	614 3	11648	10	637 7	11681	10	660 4
11615	10	615 0	11649	10	638 4	11682	10	661 1
11616	10	615 7				11683	10	661 7
11617	10	616 4	11650	10	639 1	11684	10	662 4
11618	10	617 1	11651	10	639 8	11685	10	663 1
11619	10	617 8	11652	10	640 4	11686	10	663 8
			11653	10	641 1	11687	10	664 5
11620	10	618 4	11654	10	641 8	11688	10	665 2
11621	10	619 1	11655	10	642 5	11689	10	665 9
11622	10	619 8	11656	10	643 2			
11623	10	620 5	11657	10	643 9	11690	10	666 6
11624	10	621 2	11658	10	644 6	11691	10	667 2
11625	10	621 9	11659	10	645 2	11692	10	667 9
11626	10	622 6				11693	10	668 6
11627	10	623 3	11660	10	645 9	11694	10	669 3
11628	10	623 9	11661	10	646 6	11695	10	670 0
11629	10	624 6	11662	10	647 3	11696	10	670 7
			11663	10	648 0	11697	10	671 4
11630	10	625 3	11664	10	648 7	11698	10	672 0
11631	10	626 0	11665	10	649 4	11699	10	672 7
11632	10	626 7	11666	10	650 1			
11633	10	627 4	11667	10	650 7	11700	10	673.4

Use check point at 11700 Kc

Frequency: 11800-11900 Kc

Freq.	A	B	Freq.	A	B	Freq.	A	B
11800	10	742 1	11834	10	765 3	11868	10	788 6
11801	10	742 8	11835	10	766 0	11869	10	789 3
11802	10	743 4	11836	10	766 6			
11803	10	744 1	11837	10	767 3	11870	10	790 0
11804	10	744 8	11838	10	768 0	11871	10	790 7
11805	10	745 5	11839	10	768 7	11872	10	791 4
11806	10	746 2				11873	10	792 1
11807	10	746 9	11840	10	769 4	11874	10	792 7
11808	10	747 5	11841	10	770 1	11875	10	793 4
11809	10	748 2	11842	10	770 8	11876	10	794 1
			11843	10	771 5	11877	10	794 8
11810	10	748 9	11844	10	772 1	11878	10	795 5
11811	10	749 6	11845	10	772 8	11879	10	796 2
11812	10	750 3	11846	10	773 5			
11813	10	751 0	11847	10	774 2	11880	10	796 9
11814	10	751 6	11848	10	774 9	11881	10	797 6
11815	10	752 3	11849	10	775 6	11882	10	798 2
11816	10	753 0				11883	10	798 9
11817	10	753 7	11850	10	776 3	11884	10	799 6
11818	10	754 4	11851	10	776 9	11885	10	800 3
11819	10	755 0	11852	10	777 6	11886	10	801 0
			11853	10	778 3	11887	10	801 7
11820	10	755 7	11854	10	779 0	11888	10	802 4
11821	10	756 4	11855	10	779 7	11889	10	803 1
11822	10	757 1	11856	10	780 4			
11823	10	757 8	11857	10	781 1	11890	10	803 8
11824	10	758 5	11858	10	781 8	11891	10	804 5
11825	10	759 1	11859	10	782 4	11892	10	805 2
11826	10	759 8				11893	10	805 8
11827	10	760 5	11860	10	783 1	11894	10	806 5
11828	10	761 2	11861	10	783 8	11895	10	807 2
11829	10	761 9	11862	10	784 5	11896	10	807 9
			11863	10	785 2	11897	10	808 6
11830	10	762 5	11864	10	785 9	11898	10	809 3
11831	10	763 2	11865	10	786 6	11899	10	810 0
11832	10	763 9	11866	10	787 2			
11833	10	764 6	11867	10	787 9	11900	10	810 7

Use check point at 11700 Kc

Frequency: 11700-11800 Kc

Freq.	A	B	Freq.	A	B	Freq.	A	B
11700	10	673.4	11734	10	696 7	11768	10	720 1
11701	10	674 1	11735	10	697 4	11769	10	720 8
11702	10	674 8	11736	10	698 1			
11703	10	675 5	11737	10	698 8	11770	10	721 5
11704	10	676 2	11738	10	699 4	11771	10	722 2
11705	10	676 8	11739	10	700 1	11772	10	722 9
11706	10	677 5				11773	10	723 5
11707	10	678 2	11740	10	700 8	11774	10	724 2
11708	10	678 9	11741	10	701 5	11775	10	724 9
11709	10	679 6	11742	10	702 2	11776	10	725 6
			11743	10	702 9	11777	10	726 3
11710	10	680 3	11744	10	703 6	11778	10	727 0
11711	10	681 0	11745	10	704 2	11779	10	727 7
11712	10	681 6	11746	10	704 9			
11713	10	682 3	11747	10	705 6	11780	10	728 4
11714	10	683 0	11748	10	706 3	11781	10	729 1
11715	10	683 7	11749	10	707 0	11782	10	729 7
11716	10	684 4				11783	10	730 4
11717	10	685 0	11750	10	707 7	11784	10	731 1
11718	10	685 8	11751	10	708 4	11785	10	731 8
11719	10	686 4	11752	10	709 1	11786	10	732 5
			11753	10	709 8	11787	10	733 2
11720	10	687 1	11754	10	710 4	11788	10	733 9
11721	10	687 8	11755	10	711 1	11789	10	734 6
11722	10	688 5	11756	10	711 8			
11723	10	689 2	11757	10	712 5	11790	10	735 3
11724	10	689 9	11758	10	713 2	11791	10	735 9
11725	10	690 5	11759	10	713 9	11792	10	736 6
11726	10	691 2				11793	10	737 3
11727	10	691 9	11760	10	714 6	11794	10	738 0
11728	10	692 6	11761	10	715 3	11795	10	738 7
11729	10	693 3	11762	10	716 0	11796	10	739 4
			11763	10	716 6	11797	10	740 0
11730	10	694 0	11764	10	717 3	11798	10	740 7
11731	10	694 7	11765	10	718 0	11799	10	741 4
11732	10	695 3	11766	10	718 7			
11733	10	696 0	11767	10	719 4	11800	10	742 1

Use check point at 11700 Kc

Frequency: 11900-12000 Kc

Freq.	A	B	Freq.	A	B	Freq.	A	B
11900	10	810 7	11934	10	834 1	11968	10	857 4
11901	10	811 4	11935	10	834 8	11969	10	858 1
11902	10	812 1	11936	10	835 5			
11903	10	812 8	11937	10	836 2	11970	10	858 8
11904	10	813 4	11938	10	836 9	11971	10	859 4
11905	10	814 1	11939	10	837 5	11972	10	860 1
11906	10	814 8				11973	10	860 8
11907	10	815 5	11940	10	838 2	11974	10	861 5
11908	10	816 2	11941	10	838 9	11975	10	862 1
11909	10	816 9	11942	10	839 6	11976	10	862 8
			11943	10	840 3	11977	10	863 5
11910	10	817 6	11944	10	841 0	11978	10	864 2
11911	10	818 3	11945	10	841 6	11979	10	864 8
11912	10	819 0	11946	10	842 3			
11913	10	819 7	11947	10	843 0	11980	10	865 5
11914	10	820 4	11948	10	843 7	11981	10	866 2
11915	10	821 1	11949	10	844 4	11982	10	866 9
11916	10	821 7				11983	10	867 5
11917	10	822 4	11950	10	845 1	11984	10	868 2
11918	10	823 1	11951	10	845 8	11985	10	868 9
11919	10	823 8	11952	10	846 4	11986	10	869 6
			11953	10	847 1	11987	10	870 2
11920	10	824 5	11954	10	847 8	11988	10	870 9
11921	10	825 2	11955	10	848 5	11989	10	871 6
11922	10	825 9	11956	10	849 2			
11923	10	826 6	11957	10	849 9	11990	10	872 3
11924	10	827 3	11958	10	850 5	11991	10	872 9
11925	10	828 0	11959	10	851 2	11992	10	873 6
11926	10	828 6				11993	10	874 3

**TABLE 5-2. CALIBRATION OF RADIO TRANSMITTER
T-47A/ART-13 OR T-47/ART-13 WHEN MCW-CFI 8Q-2 UNIT
IS USED. (Continued)**

Frequency: 12000-12100 Kc

Freq.	A	B	Freq.	A	B	Freq.	A	B
12000	11	100.1	12034	11	121.1	12068	11	142.1
12001	11	100.8	12035	11	121.7	12069	11	142.7
12002	11	101.4	12036	11	122.3			
12003	11	102.0	12037	11	123.0	12070	11	143.3
12004	11	102.6	12038	11	123.6	12071	11	143.9
12005	11	103.2	12039	11	124.2	12072	11	144.5
12006	11	103.8				12073	11	145.1
12007	11	104.5	12040	11	124.8	12074	11	145.7
12008	11	105.1	12041	11	125.4	12075	11	146.4
12009	11	105.7	12042	11	126.0	12076	11	147.0
			12043	11	126.7	12077	11	147.6
12010	11	106.3	12044	11	127.3	12078	11	148.2
12011	11	106.9	12045	11	127.9	12079	11	148.8
12012	11	107.5	12046	11	128.5			
12013	11	108.2	12047	11	129.1	12080	11	149.4
12014	11	108.8	12048	11	129.7	12081	11	150.0
12015	11	109.4	12049	11	130.4	12082	11	150.6
12016	11	110.0				12083	11	151.3
12017	11	110.6	12050	11	131.0	12084	11	151.9
12018	11	111.2	12051	11	131.6	12085	11	152.5
12019	11	111.9	12052	11	132.2	12086	11	153.1
			12053	11	132.8	12087	11	153.7
12020	11	112.5	12054	11	133.4	12088	11	154.3
12021	11	113.1	12055	11	134.1	12089	11	154.9
12022	11	113.7	12056	11	134.7			
12023	11	114.3	12057	11	135.3	12090	11	155.6
12024	11	114.9	12058	11	135.9	12091	11	156.2
12025	11	115.6	12059	11	136.5	12092	11	156.8
12026	11	116.2				12093	11	157.4
12027	11	116.8	12060	11	137.1	12094	11	158.0
12028	11	117.4	12061	11	137.8	12095	11	158.6
12029	11	118.0	12062	11	138.4	12096	11	159.2
			12063	11	139.0	12097	11	159.9
12030	11	118.6	12064	11	139.6	12098	11	160.5
12031	11	119.3	12065	11	140.2	12099	11	161.1
12032	11	119.9	12066	11	140.8			
12033	11	120.5	12067	11	141.4	12100	11	161.7

Use check point at 12000 Kc.

Frequency: 12200-12300 Kc

Freq.	A	B	Freq.	A	B	Freq.	A	B
12200	11	222.9	12234	11	243.8	12268	11	264.6
12201	11	223.6	12235	11	244.4	12269	11	265.3
12202	11	224.2	12236	11	245.0			
12203	11	224.8	12237	11	245.6	12270	11	265.9
12204	11	225.4	12238	11	246.2	12271	11	266.5
12205	11	226.0	12239	11	246.8	12272	11	267.1
12206	11	226.6				12273	11	267.7
12207	11	227.2	12240	11	247.4	12274	11	268.3
12208	11	227.8	12241	11	248.1	12275	11	268.9
12209	11	228.5	12242	11	248.7	12276	11	269.6
			12243	11	249.3	12277	11	270.2
12210	11	229.1	12244	11	249.9	12278	11	270.8
12211	11	229.7	12245	11	250.5	12279	11	271.4
12212	11	230.3	12246	11	251.1			
12213	11	230.9	12247	11	251.7	12280	11	272.0
12214	11	231.5	12248	11	252.4	12281	11	272.6
12215	11	232.1	12249	11	253.0	12282	11	273.2
12216	11	232.7				12283	11	273.9
12217	11	233.4	12250	11	253.6	12284	11	274.5
12218	11	234.0	12251	11	254.2	12285	11	275.1
12219	11	234.6	12252	11	254.8	12286	11	275.7
			12253	11	255.4	12287	11	276.3
12220	11	235.2	12254	11	256.0	12288	11	276.9
12221	11	235.8	12255	11	256.7	12289	11	277.5
12222	11	236.4	12256	11	257.3			
12223	11	237.0	12257	11	257.9	12290	11	278.2
12224	11	237.6	12258	11	258.5	12291	11	278.8
12225	11	238.3	12259	11	259.1	12292	11	279.4
12226	11	238.9				12293	11	280.0
12227	11	239.5	12260	11	259.7	12294	11	280.6
12228	11	240.1	12261	11	260.3	12295	11	281.2
12229	11	240.7	12262	11	261.0	12296	11	281.8
			12263	11	261.6	12297	11	282.5
12230	11	241.3	12264	11	262.2	12298	11	283.1
12231	11	241.9	12265	11	262.8	12299	11	283.7
12232	11	242.5	12266	11	263.4			
12233	11	243.2	12267	11	264.0	12300	11	284.3

Use check point at 12000 Kc.

Frequency: 12100-12200 Kc

Freq.	A	B	Freq.	A	B	Freq.	A	B
12100	11	161.7	12134	11	182.5	12168	11	203.4
12101	11	162.3	12135	11	183.2	12169	11	204.0
12102	11	162.9	12136	11	183.8			
12103	11	163.5	12137	11	184.4	12170	11	204.6
12104	11	164.2	12138	11	185.0	12171	11	205.2
12105	11	164.8	12139	11	185.6	12172	11	205.8
12106	11	165.4				12173	11	206.4
12107	11	166.0	12140	11	186.2	12174	11	207.0
12108	11	166.6	12141	11	186.8	12175	11	207.6
12109	11	167.2	12142	11	187.4	12176	11	208.3
			12143	11	188.1	12177	11	208.9
12110	11	167.8	12144	11	188.7	12178	11	209.5
12111	11	168.5	12145	11	189.3	12179	11	210.1
12112	11	169.1	12146	11	189.9			
12113	11	169.7	12147	11	190.5	12180	11	210.7
12114	11	170.3	12148	11	191.1	12181	11	211.3
12115	11	170.9	12149	11	191.7	12182	11	211.9
12116	11	171.5				12183	11	212.5
12117	11	172.1	12150	11	192.3	12184	11	213.1
12118	11	172.8	12151	11	193.0	12185	11	213.8
12119	11	173.4	12152	11	193.6	12186	11	214.4
			12153	11	194.2	12187	11	215.0
12120	11	174.0	12154	11	194.8	12188	11	215.6
12121	11	174.6	12155	11	195.4	12189	11	216.2
12122	11	175.2	12156	11	196.0			
12123	11	175.8	12157	11	196.6	12190	11	216.8
12124	11	176.4	12158	11	197.2	12191	11	217.4
12125	11	177.0	12159	11	197.8	12192	11	218.0
12126	11	177.7				12193	11	218.7
12127	11	178.3	12160	11	198.5	12194	11	219.3
12128	11	178.9	12161	11	199.1	12195	11	219.9
12129	11	179.5	12162	11	199.7	12196	11	220.5
			12163	11	200.3	12197	11	221.1
12130	11	180.1	12164	11	200.9	12198	11	221.7
12131	11	180.7	12165	11	201.5	12199	11	222.3
12132	11	181.3	12166	11	202.1			
12133	11	181.9	12167	11	202.7	12200	11	222.9

Use check point at 12000 Kc.

Frequency: 12300-12400 Kc

Freq.	A	B	Freq.	A	B	Freq.	A	B
12300	11	284.3	12334	11	305.2	12368	11	326.2
12301	11	284.9	12335	11	305.8	12369	11	326.8
12302	11	285.5	12336	11	306.5			
12303	11	286.1	12337	11	307.1	12370	11	327.4
12304	11	286.8	12338	11	307.7	12371	11	328.0
12305	11	287.4	12339	11	308.3	12372	11	328.6
12306	11	288.0				12373	11	329.2
12307	11	288.6	12340	11	308.9	12374	11	329.9
12308	11	289.2	12341	11	309.5	12375	11	330.6
12309	11	289.8	12342	11	310.2	12376	11	331.1
			12343	11	310.8	12377	11	331.7
12310	11	290.5	12344	11	311.4	12378	11	332.3
12311	11	291.1	12345	11	312.0	12379	11	332.9
12312	11	291.7	12346	11	312.6			
12313	11	292.3	12347	11	313.2	12380	11	333.5
12314	11	292.9	12348	11	313.9	12381	11	334.2
12315	11	293.5	12349	11	314.5	12382	11	334.8
12316	11	294.2				12383	11	335.4
12317	11	294.8	12350	11	315.1	12384	11	336.0
12318	11	295.4	12351	11	315.7	12385	11	336.6
12319	11	296.0	12352	11	316.3	12386	11	337.2
			12353	11	316.9	12387	11	337.8
12320	11	296.6	12354	11	317.5	12388	11	338.5
12321	11	297.2	12355	11	318.2	12389	11	339.1
12322	11	297.8	12356	11	318.8			
12323	11	298.5	12357	11	319.4	12390	11	339.7
12324	11	299.1	12358	11	320.0	12391	11	340.3
12325	11	299.7	12359	11	320.6	12392	11	340.9
12326	11	300.3				12393	11</	

SECTION V

AN 08-30 ART 13-3

**TABLE 5-2. CALIBRATION OF RADIO TRANSMITTER
T-47A/ART-13 OR T-47/ART-13 WHEN MCW-CFI 8Q-2 UNIT
IS USED. (Continued)**

Frequency: 12400-12500 Kc

Freq.	A	B	Freq.	A	B	Freq.	A	B
12400	11	345 8	12434	11	366 8	12468	11	387 7
12401	11	346 5	12435	11	367 4	12469	11	388 3
12402	11	347 1	12436	11	368 0			
12403	11	347 7	12437	11	368 6	12470	11	388 9
12404	11	348 3	12438	11	369 2	12471	11	389 5
12405	11	348 9	12439	11	369 8	12472	11	390 1
12406	11	349 5				12473	11	390 8
12407	11	350 1	12440	11	370 4	12474	11	391 4
12408	11	350 8	12441	11	371 1	12475	11	392 0
12409	11	351 4	12442	11	371 7	12476	11	392 6
			12443	11	372 3	12477	11	393 2
12410	11	352 0	12444	11	372 9	12478	11	393 8
12411	11	352 6	12445	11	373 5	12479	11	394 4
12412	11	353 2	12446	11	374 1			
12413	11	353 8	12447	11	374 8	12480	11	395 1
12414	11	354 5	12448	11	375 4	12481	11	395 7
12415	11	355 1	12449	11	376 0	12482	11	396 3
12416	11	355 7				12483	11	396 9
12417	11	356 3	12450	11	376 6	12484	11	397 5
12418	11	356 9	12451	11	377 2	12485	11	398 2
12419	11	357 5	12452	11	377 8	12486	11	398 8
			12453	11	378 4	12487	11	399 4
12420	11	358 1	12454	11	379 1	12488	11	400 0
12421	11	358 8	12455	11	379 7	12489	11	400 7
12422	11	359 4	12456	11	380 3			
12423	11	360 0	12457	11	380 9	12490	11	401 3
12424	11	360 6	12458	11	381 5	12491	11	401 9
12425	11	361 2	12459	11	382 1	12492	11	402 5
12426	11	361 8				12493	11	403 1
12427	11	362 4	12460	11	382 8	12494	11	403 8
12428	11	363 1	12461	11	383 4	12495	11	404 4
12429	11	363 7	12462	11	384 0	12496	11	405 0
			12463	11	384 6	12497	11	405 6
12430	11	364 3	12464	11	385 2	12498	11	406 2
12431	11	364 9	12465	11	385 8	12499	11	406 9
12432	11	365 5	12466	11	386 4			
12433	11	366 1	12467	11	387 1	12500	11	407 5

Use check point at 12400 Kc

Frequency: 12600-12700 Kc

Freq.	A	B	Freq.	A	B	Freq.	A	B
12600	11	469.6	12634	11	490 6	12668	11	511 7
12601	11	470 2	12635	11	491 2	12669	11	512 3
12602	11	470 8	12636	11	491 9			
12603	11	471 4	12637	11	492 5	12670	11	513 0
12604	11	472 1	12638	11	493 1	12671	11	513 6
12605	11	472 7	12639	11	493 7	12672	11	514 2
12606	11	473 3				12673	11	514 8
12607	11	473 9	12640	11	494 3	12674	11	515 4
12608	11	474 5	12641	11	495 0	12675	11	516 1
12609	11	475 2	12642	11	495 6	12676	11	516 7
			12643	11	496 2	12677	11	517 3
12610	11	475 8	12644	11	496 8	12678	11	517 9
12611	11	476 4	12645	11	497 4	12679	11	518 6
12612	11	477 0	12646	11	498 1			
12613	11	477 6	12647	11	498 7	12680	11	519 2
12614	11	478 2	12648	11	499 3	12681	11	519 8
12615	11	478 9	12649	11	499 9	12682	11	520 4
12616	11	479 5				12683	11	521 1
12617	11	480 1	12650	11	500 5	12684	11	521 7
12618	11	480 7	12651	11	501 1	12685	11	522 3
12619	11	481 3	12652	11	501 8	12686	11	522 9
			12653	11	502 4	12687	11	523 6
12620	11	482 0	12654	11	503 0	12688	11	524 2
12621	11	482 6	12655	11	503 6	12689	11	524 8
12622	11	483 2	12656	11	504 2			
12623	11	483 8	12657	11	504 9	12690	11	525 4
12624	11	484 4	12658	11	505 5	12691	11	526 0
12625	11	485 1	12659	11	506 1	12692	11	526 7
12626	11	485 7				12693	11	527 3
12627	11	486 3	12660	11	506 7	12694	11	527 9
12628	11	486 9	12661	11	507 3	12695	11	528 5
12629	11	487 5	12662	11	508 0	12696	11	529 2
			12663	11	508 6	12697	11	529 8
12630	11	488 2	12664	11	509 2	12698	11	530 4
12631	11	488 8	12665	11	509 8	12699	11	531 0
12632	11	489 4	12666	11	510 5			
12633	11	490 0	12667	11	511 1	12700	11	531 7

Use check point at 12600 Kc

Frequency: 12500-12600 Kc

Freq.	A	B	Freq.	A	B	Freq.	A	B
12500	11	407 5	12534	11	428 6	12568	11	449 7
12501	11	408 1	12535	11	429 2	12569	11	450 3
12502	11	408 7	12536	11	429 9			
12503	11	409 4	12537	11	430 5	12570	11	451 0
12504	11	410 0	12538	11	431 1	12571	11	451 6
12505	11	410 6	12539	11	431 7	12572	11	452 2
12506	11	411 2				12573	11	452 8
12507	11	411 8	12540	11	432 3	12574	11	453 4
12508	11	412 5	12541	11	433 0	12575	11	454 1
12509	11	413 1	12542	11	433 6	12576	11	454 7
			12543	11	434 2	12577	11	455 3
12510	11	413 7	12544	11	434 8	12578	11	455 9
12511	11	414 3	12545	11	435 4	12579	11	456 5
12512	11	414 9	12546	11	436 1			
12513	11	415 6	12547	11	436 7	12580	11	457 2
12514	11	416 2	12548	11	437 3	12581	11	457 8
12515	11	416 8	12549	11	437 9	12582	11	458 4
12516	11	417 4				12583	11	459 0
12517	11	418 0	12550	11	438 5	12584	11	459 6
12518	11	418 7	12551	11	439 2	12585	11	460 3
12519	11	419 3	12552	11	439 8	12586	11	460 9
			12553	11	440 4	12587	11	461 5
12520	11	419 9	12554	11	441 0	12588	11	462 1
12521	11	420 5	12555	11	441 7	12589	11	462 8
12522	11	421 2	12556	11	442 3			
12523	11	421 8	12557	11	442 9	12590	11	463 4
12524	11	422 4	12558	11	443 5	12591	11	464 0
12525	11	423 0	12559	11	444 1	12592	11	464 6
12526	11	423 6				12593	11	465 2
12527	11	424 3	12560	11	444 8	12594	11	465 9
12528	11	424 9	12561	11	445 4	12595	11	466 5
12529	11	425 5	12562	11	446 0	12596	11	467 1
			12563	11	446 6	12597	11	467 7
12530	11	426 1	12564	11	447 2	12598	11	468 3
12531	11	426 7	12565	11	447 9	12599	11	469 0
12532	11	427 4	12566	11	448 5			
12533	11	428 0	12567	11	449 1	12600	11	469.6

Use check point at 12500 Kc

Frequency: 12700-12800 Kc

Freq.	A	B	Freq.	A	B	Freq.	A	B
12700	11	531 7	12734	11	552 8	12768	11	574 0
12701	11	532 3	12735	11	553 4	12769	11	574 6
12702	11	532 9	12736	11	554 1			
12703	11	533 5	12737	11	554 7	12770	11	575 2
12704	11	534 1	12738	11	555 3	12771	11	575 8
12705	11	534 8	12739	11	555 9	12772	11	576 4
12706	11	535 4				12773	11	577 1
12707	11	536 0	12740	11	556 6	12774	11	577 7
12708	11	536 6	12741	11	557 2	12775	11	578 3
12709	11	537 3	12742	11	557 8	12776	11	578 9
			12743	11	558 4	12777	11	579 6
12710	11	537 9	12744	11	559 0	12778	11	580 2
12711	11	538 5	12745	11	559 6	12779	11	580 8
12712	11	539 1	12746	11	560 3			
12713	11	539 8	12747	11	560 9	12780	11	581 4
12714	11	540 4	12748	11	561 5	12781	11	582 0
12715	11	541 0	12749	11	562 1	12782	11	582 7
12716	11	541 6				12783	11	583 3
12717	11	542 3	12750	11	562 8	12784	11	583 9
12718	11	542 9	12751	11	563 4	12785	11	584 5
12719	11	543 5	12752	11	564 0	12786	11	585 2
			12753	11	564 6	12787	11	585 8
12720	11	544 1	12754	11	565 3	12788	11	586 4
12721	11	544 7	12755	11	565 9	12789	11	587 0
12722	11	545 4	12756	11	566 5			
12723	11	546 0	12757	11	567 1	12790	11	587 7
12724	11	546 6	12758	11	567 7	12791	11	588 3
12725	11	547 2	12759	11	568 4	12792	11	588 9
12726	11	547 9				12793		

AN 08-30 ART 13-3

**TABLE 5-2. CALIBRATION OF RADIO TRANSMITTER
T-47A ART-13 OR T-47 ART-13 WHEN MCW-CFI 8Q-2 UNIT
IS USED. (Continued)**

Frequency: 12800-12900 Kc						Frequency: 13000-13100 Kc					
Freq.	A	B	Freq.	A	B	Freq.	A	B	Freq.	A	B
12800	11	593 9	12834	11	615 1	12868	11	636 3	13000	11	718 5
12801	11	594 5	12835	11	615 7	12869	11	636 9	13001	11	719 1
12802	11	595 1	12836	11	616 3				13002	11	719 8
12803	11	595 8	12837	11	617 0	12870	11	637 5	13003	11	720 4
12804	11	596 4	12838	11	617 6	12871	11	638 2	13004	11	721 0
12805	11	597 0	12839	11	618 2	12872	11	638 8	13005	11	721 6
12806	11	597 6				12873	11	639 4	13006	11	722 3
12807	11	598 3	12840	11	618 8	12874	11	640 0	13007	11	722 9
12808	11	598 9	12841	11	619 5	12875	11	640 7	13008	11	723 5
12809	11	599 5	12842	11	620 1	12876	11	641 3	13009	11	724 1
			12843	11	620 7	12877	11	641 9			
12810	11	600 1	12844	11	621 3	12878	11	642 5	13010	11	724 7
12811	11	600 8	12845	11	622 0	12879	11	643 2	13011	11	725 4
12812	11	601 4	12846	11	622 6				13012	11	726 0
12813	11	602 0	12847	11	623 2	12880	11	643 8	13013	11	726 6
12814	11	602 6	12848	11	623 8	12881	11	644 4	13014	11	727 2
12815	11	603 2	12849	11	624 5	12882	11	645 0	13015	11	727 9
12816	11	603 9				12883	11	645 6	13016	11	728 5
12817	11	604 5	12850	11	625 1	12884	11	646 3	13017	11	729 1
12818	11	605 1	12851	11	625 7	12885	11	646 9	13018	11	729 7
12819	11	605 7	12852	11	626 3	12886	11	647 5	13019	11	730 4
			12853	11	626 9	12887	11	648 1			
12820	11	606 4	12854	11	627 6	12888	11	648 8	13020	11	731 0
12821	11	607 0	12855	11	628 2	12889	11	649 4	13021	11	731 6
12822	11	607 6	12856	11	628 8				13022	11	732 2
12823	11	608 2	12857	11	629 4	12890	11	650 0	13023	11	732 9
12824	11	608 9	12858	11	630 1	12891	11	650 6	13024	11	733 5
12825	11	609 5	12859	11	630 7	12892	11	651 3	13025	11	734 1
12826	11	610 1				12893	11	651 9	13026	11	734 7
12827	11	610 7	12860	11	631 3	12894	11	652 5	13027	11	735 4
12828	11	611 4	12861	11	631 9	12895	11	653 1	13028	11	736 0
12829	11	612 0	12862	11	632 6	12896	11	653 7	13029	11	736 6
			12863	11	633 2	12897	11	654 4			
12830	11	612 6	12864	11	633 8	12898	11	655 0	13030	11	737 2
12831	11	613 2	12865	11	634 4	12899	11	655 6	13031	11	737 9
12832	11	613 9	12866	11	635 0				13032	11	738 5
12833	11	614 5	12867	11	635 7	12900	11	656 2	13033	11	739 1

Use check point at 12800 Kc

Frequency: 12900-13000 Kc						Frequency: 13100-13200 Kc					
Freq.	A	B	Freq.	A	B	Freq.	A	B	Freq.	A	B
12900	11	656 2	12934	11	677 4	12968	11	698 6	13100	11	780 9
12901	11	656 9	12935	11	678 0	12969	11	699 2	13101	11	781 5
12902	11	657 5	12936	11	678 6				13102	11	782 1
12903	11	658 1	12937	11	679 3	12970	11	699 8	13103	11	782 7
12904	11	658 7	12938	11	679 9	12971	11	700 4	13104	11	783 3
12905	11	659 4	12939	11	680 5	12972	11	701 1	13105	11	784 0
12906	11	660 0				12973	11	701 7	13106	11	784 6
12907	11	660 6	12940	11	681 1	12974	11	702 3	13107	11	785 2
12908	11	661 2	12941	11	681 8	12975	11	702 9	13108	11	785 8
12909	11	661 8	12942	11	682 4	12976	11	703 6	13109	11	786 4
			12943	11	683 0	12977	11	704 2			
12910	11	662 5	12944	11	683 6	12978	11	704 8	13110	11	787 1
12911	11	663 1	12945	11	684 2	12979	11	705 4	13111	11	787 7
12912	11	663 7	12946	11	684 9				13112	11	788 3
12913	11	664 3	12947	11	685 5	12980	11	706 0	13113	11	788 9
12914	11	665 0	12948	11	686 1	12981	11	706 6	13114	11	789 6
12915	11	665 6	12949	11	686 7	12982	11	707 3	13115	11	790 2
12916	11	666 2				12983	11	707 9	13116	11	790 8
12917	11	666 8	12950	11	687 4	12984	11	708 5	13117	11	791 4
12918	11	667 4	12951	11	688 0	12985	11	709 2	13118	11	792 0
12919	11	668 1	12952	11	688 6	12986	11	709 8	13119	11	792 7
			12953	11	689 2	12987	11	710 4			
12920	11	668 7	12954	11	689 8	12988	11	711 0	13120	11	793 3
12921	11	669 3	12955	11	690 5	12989	11	711 7	13121	11	793 9
12922	11	669 9	12956	11	691 1				13122	11	794 5
12923	11	670 6	12957	11	691 7	12990	11	712 3	13123	11	795 1
12924	11	671 2	12958	11	692 3	12991	11	712 9	13124	11	795 8
12925	11	671 8	12959	11	692 9	12992	11	713 5	13125	11	796 4
12926	11	672 4				12993	11	714 2	13126	11	797 0
12927	11	673 0	12960	11	693 6	12994	11	714 8	13127	11	797 6
12928	11	673 6	12961	11	694 2	12995	11	715 4	13128	11	798 2
12929	11	674 3	12962	11	694 8	12996	11	716 0	13129	11	798 9
			12963	11	695 4	12997	11	716 6			
12930	11	674 9	12964	11	696 0	12998	11	717 3	13130	11	799 5
12931	11	675 5	12965	11	696 7	12999	11	717 9	13131	11	800 1
12932	11	676 2	12966	11	697 3				13132	11	800 7
12933	11	676 8	12967	11	697 9	13000	11	718 5	13133	11	801 3

Use check point at 13200 Kc

**TABLE 5-2. CALIBRATION OF RADIO TRANSMITTER
T-47A/ART-13 OR T-47/ART-13 WHEN MCW-CFI 8Q-2 UNIT
IS USED. (Continued)**

Frequency: 13200-13300 Kc						Frequency: 13400-13500 Kc								
Freq.	A	B	Freq.	A	B	Freq.	A	B	Freq.	A	B	Freq.	A	B
13200	11	843.0	13234	11	864.0	13268	11	885.1	13400	11	966.6	13434	11	987.6
13201	11	843.6	13235	11	864.7	13269	11	885.7	13401	11	967.3	13435	11	988.2
13202	11	844.2	13236	11	865.3				13402	11	967.9	13436	11	988.8
13203	11	844.9	13237	11	865.9	13270	11	886.3	13403	11	968.5	13437	11	989.4
13204	11	845.5	13238	11	866.5	13271	11	886.9	13404	11	969.1	13438	11	990.0
13205	11	846.1	13239	11	867.1	13272	11	887.5	13405	11	969.7	13439	11	990.6
13206	11	846.7				13273	11	888.2	13406	11	970.3			
13207	11	847.3	13240	11	867.7	13274	11	888.8	13407	11	970.9	13440	11	991.2
13208	11	848.0	13241	11	868.4	13275	11	889.4	13408	11	971.6	13441	11	991.9
13209	11	848.6	13242	11	869.0	13276	11	890.0	13409	11	972.2	13442	11	992.5
			13243	11	869.6	13277	11	890.6				13443	11	993.1
13210	11	849.2	13244	11	870.2	13278	11	891.3	13410	11	972.8	13444	11	993.7
13211	11	849.8	13245	11	870.8	13279	11	891.9	13411	11	973.4	13445	11	994.3
13212	11	850.4	13246	11	871.5				13412	11	974.0	13446	11	994.9
13213	11	851.0	13247	11	872.1	13280	11	892.5	13413	11	974.6	13447	11	995.5
13214	11	851.7	13248	11	872.7	13281	11	893.1	13414	11	975.3	13448	11	996.2
13215	11	852.3	13249	11	873.3	13282	11	893.7	13415	11	975.9	13449	11	996.8
13216	11	852.9				13283	11	894.3	13416	11	976.5			
13217	11	853.5	13250	11	873.9	13284	11	895.0	13417	11	977.1	13450	11	997.4
13218	11	854.1	13251	11	874.6	13285	11	895.6	13418	11	977.7	13451	11	998.0
13219	11	854.8	13252	11	875.2	13286	11	896.2	13419	11	978.3	13452	11	998.6
			13253	11	875.8	13287	11	896.8				13453	11	999.3
13220	11	855.4	13254	11	876.4	13288	11	897.4	13420	11	978.9	13454	11	999.9
13221	11	856.0	13255	11	877.0	13289	11	898.1	13421	11	979.6	13455	11	1000.5
13222	11	856.6	13256	11	877.6				13422	11	980.2	13456	11	1001.1
13223	11	857.2	13257	11	878.3	13290	11	898.7	13423	11	980.8	13457	11	1001.7
13224	11	857.8	13258	11	878.9	13291	11	899.3	13424	11	981.4	13458	11	1002.3
13225	11	858.5	13259	11	879.5	13292	11	899.9	13425	11	982.0	13459	11	1003.0
13226	11	859.1				13293	11	900.5	13426	11	982.6			
13227	11	859.7	13260	11	880.1	13294	11	901.2	13427	11	983.2	13460	11	1003.6
13228	11	860.3	13261	11	880.7	13295	11	901.8	13428	11	983.9	13461	11	1004.2
13229	11	860.9	13262	11	881.4	13296	11	902.4	13429	11	984.5	13462	11	1004.8
			13263	11	882.0	13297	11	903.0				13463	11	1005.4
13230	11	861.6	13264	11	882.6	13298	11	903.6	13430	11	985.1	13464	11	1006.0
13231	11	862.2	13265	11	883.2	13299	11	904.2	13431	11	985.7	13465	11	1006.7
13232	11	862.8	13266	11	883.8				13432	11	986.3	13466	11	1007.3
13233	11	863.4	13267	11	884.5	13300	11	904.9	13433	11	986.9	13467	11	1007.9

Use check point at 13200 Kc

Frequency: 13300-13400 Kc						Frequency: 13500-13600 Kc								
Freq.	A	B	Freq.	A	B	Freq.	A	B	Freq.	A	B	Freq.	A	B
13300	11	904.9	13334	11	925.9	13368	11	946.9	13500	11	1028.3	13534	11	1049.2
13301	11	905.5	13335	11	926.5	13369	11	947.5	13501	11	1028.9	13535	11	1049.8
13302	11	906.1	13336	11	927.1				13502	11	1029.5	13536	11	1050.5
13303	11	906.7	13337	11	927.8	13370	11	948.2	13503	11	1030.1	13537	11	1051.1
13304	11	907.3	13338	11	928.4	13371	11	948.8	13504	11	1030.7	13538	11	1051.7
13305	11	908.0	13339	11	929.0	13372	11	949.4	13505	11	1031.3	13539	11	1052.3
13306	11	908.6				13373	11	950.0	13506	11	1032.0			
13307	11	909.2	13340	11	929.6	13374	11	950.6	13507	11	1032.6	13540	11	1052.9
13308	11	909.8	13341	11	930.2	13375	11	951.2	13508	11	1033.2	13541	11	1053.5
13309	11	910.4	13342	11	930.8	13376	11	951.9	13509	11	1033.8	13542	11	1054.2
			13343	11	931.5	13377	11	952.5				13543	11	1054.8
13310	11	911.1	13344	11	932.1	13378	11	953.1	13510	11	1034.4	13544	11	1055.4
13311	11	911.7	13345	11	932.7	13379	11	953.7	13511	11	1035.0	13545	11	1056.0
13312	11	912.3	13346	11	933.3				13512	11	1035.7	13546	11	1056.6
13313	11	912.9	13347	11	933.9	13380	11	954.3	13513	11	1036.3	13547	11	1057.2
13314	11	913.5	13348	11	934.6	13381	11	955.0	13514	11	1036.9	13548	11	1057.9
13315	11	914.1	13349	11	935.2	13382	11	955.6	13515	11	1037.5	13549	11	1058.5
13316	11	914.8				13383	11	956.2	13516	11	1038.1			
13317	11	915.4	13350	11	935.8	13384	11	956.8	13517	11	1038.7	13550	11	1059.1
13318	11	916.0	13351	11	936.4	13385	11	957.4	13518	11	1039.4	13551	11	1059.7
13319	11	916.6	13352	11	937.0	13386	11	958.0	13519	11	1040.0	13552	11	1060.3
			13353	11	937.6	13387	11	958.6				13553	11	1060.9
13320	11	917.2	13354	11	938.3	13388	11	959.3	13520	11	1040.6	13554	11	1061.6
13321	11	917.9	13355	11	938.9	13389	11	959.9	13521	11	1041.2	13555	11	1062.2
13322	11	918.5	13356	11	939.5				13522	11	1041.8	13556	11	1062.8
13323	11	919.1	13357	11	940.1	13390	11	960.5	13523	11	1042.4	13557	11	1063.4
13324	11	919.7	13358	11	940.7	13391	11	961.1	13524	11	1043.1	13558	11	1064.0
13325	11	920.3	13359	11	941.4	13392	11	961.7	13525	11	1043.7	13559	11	1064.6
13326	11	921.0				13393	11	962.3	13526	11	1044.3			
13327	11	921.6	13360	11	942.0	13394	11	963.0	13527	11	1044.9	13560	11	1065.3
13328	11	922.2	13361	11	942.6	13395	11	963.6	13528	11	1045.5	13561	11	1065.9
13329	11	922.8	13362	11	943.2	13396	11	964.2	13529	11	1046.1	13562	11	1066.5
			13363	11	943.8	13397	11	964.8				13563	11	1067.1
13330	11	923.4	13364	11	944.4	13398	11	965.4	13530	11	1046.8	13564	11	1067.7
13331	11	924.0	13365	11	945.1	13399	11	966.0	13531	11	1047.4	13565	11	1068.3
13332	11	924.7	13366	11	945.7				13532	11	1048.0	13566	11	1068.9
13333	11	925.3	13367	11	946.3	13400	11	966.6	13533	11	1048.6	13567	11	1069.5

Use check point at 13200 Kc

AN 08-30 ART 13-3

**TABLE 5-2. CALIBRATION OF RADIO TRANSMITTER
T-47A/ART-13 OR T-47/ART-13 WHEN MCW-CFI 8Q-2 UNIT
IS USED. (Continued)**

Frequency: 13600-13700 Kc						Frequency: 13800-13900 Kc					
Freq.	A	B	Freq.	A	B	Freq.	A	B	Freq.	A	B
13600	11	1089.7	13634	11	1110.5	13668	11	1131.3	13834	11	1232.5
13601	11	1090.3	13635	11	1111.1	13669	11	1131.9	13835	11	1233.1
13602	11	1090.9	13636	11	1111.7				13836	11	1233.7
13603	11	1091.5	13637	11	1112.3	13670	11	1132.5	13837	11	1234.3
13604	11	1092.1	13638	11	1112.9	13671	11	1133.1	13838	11	1234.9
13605	11	1092.7	13639	11	1113.5	13672	11	1133.7	13839	11	1235.5
13606	11	1093.4				13673	11	1134.3			
13607	11	1094.0	13640	11	1114.1	13674	11	1134.9	13840	11	1236.1
13608	11	1094.6	13641	11	1114.8	13675	11	1135.6	13841	11	1236.7
13609	11	1095.2	13642	11	1115.4	13676	11	1136.2	13842	11	1237.3
			13643	11	1116.0	13677	11	1136.8	13843	11	1238.0
13610	11	1095.8	13644	11	1116.6	13678	11	1137.4	13844	11	1238.6
13611	11	1096.4	13645	11	1117.2	13679	11	1138.0	13845	11	1239.2
13612	11	1097.0	13646	11	1117.8				13846	11	1239.8
13613	11	1097.6	13647	11	1118.4	13680	11	1138.6	13847	11	1240.4
13614	11	1098.2	13648	11	1119.0	13681	11	1139.2	13848	11	1241.0
13615	11	1098.9	13649	11	1119.6	13682	11	1139.8	13849	11	1241.6
13616	11	1099.5				13683	11	1140.4			
13617	11	1100.1	13650	11	1120.3	13684	11	1141.1	13850	11	1242.2
13618	11	1100.7	13651	11	1120.9	13685	11	1141.7	13851	11	1242.8
13619	11	1101.3	13652	11	1121.5	13686	11	1142.3	13852	11	1243.4
			13653	11	1122.1	13687	11	1142.9	13853	11	1244.0
13620	11	1101.9	13654	11	1122.7	13688	11	1143.5	13854	11	1244.6
13621	11	1102.5	13655	11	1123.3	13689	11	1144.1	13855	11	1245.2
13622	11	1103.1	13656	11	1123.9				13856	11	1245.8
13623	11	1103.7	13657	11	1124.5	13690	11	1144.7	13857	11	1246.4
13624	11	1104.4	13658	11	1125.2	13691	11	1145.3	13858	11	1247.0
13625	11	1105.0	13659	11	1125.8	13692	11	1145.9	13859	11	1247.6
13626	11	1105.6				13693	11	1146.5			
13627	11	1106.2	13660	11	1126.4	13694	11	1147.2	13860	11	1248.3
13628	11	1106.8	13661	11	1127.0	13695	11	1147.8	13861	11	1248.9
13629	11	1107.4	13662	11	1127.6	13696	11	1148.4	13862	11	1249.5
			13663	11	1128.2	13697	11	1149.0	13863	11	1250.1
13630	11	1108.0	13664	11	1128.8	13698	11	1149.6	13864	11	1250.7
13631	11	1108.6	13665	11	1129.4	13699	11	1150.2	13865	11	1251.3
13632	11	1109.2	13666	11	1130.0				13866	11	1251.9
13633	11	1109.9	13667	11	1130.7	13700	11	1150.8	13867	11	1252.6

Use check point at 13800 Kc

Frequency: 13700-13800 Kc						Frequency: 13900-14000 Kc					
Freq.	A	B	Freq.	A	B	Freq.	A	B	Freq.	A	B
13700	11	1150.8	13734	11	1171.6	13768	11	1192.3	13934	11	1293.4
13701	11	1151.4	13735	11	1172.2	13769	11	1192.9	13935	11	1294.0
13702	11	1152.0	13736	11	1172.8				13936	11	1294.6
13703	11	1152.6	13737	11	1173.4	13770	11	1193.5	13937	11	1295.2
13704	11	1153.3	13738	11	1174.0	13771	11	1194.1	13938	11	1295.8
13705	11	1153.9	13739	11	1174.6	13772	11	1194.7	13939	11	1296.4
13706	11	1154.5				13773	11	1195.3	13940	11	1297.0
13707	11	1155.1	13740	11	1175.2	13774	11	1195.9	13941	11	1297.6
13708	11	1155.7	13741	11	1175.8	13775	11	1196.6	13942	11	1298.2
13709	11	1156.3	13742	11	1176.4	13776	11	1197.2	13943	11	1298.8
			13743	11	1177.1	13777	11	1197.8	13944	11	1299.4
13710	11	1156.9	13744	11	1177.7	13778	11	1198.4	13945	11	1300.0
13711	11	1157.5	13745	11	1178.3	13779	11	1199.0	13946	11	1300.6
13712	11	1158.1	13746	11	1178.9				13947	11	1301.3
13713	11	1158.8	13747	11	1179.5	13780	11	1199.6	13948	11	1301.9
13714	11	1159.4	13748	11	1180.1	13781	11	1200.2	13949	11	1302.5
13715	11	1160.0	13749	11	1180.7	13782	11	1200.8	13950	11	1303.1
13716	11	1160.6				13783	11	1201.4	13951	11	1303.7
13717	11	1161.2	13750	11	1181.3	13784	11	1202.0	13952	11	1304.3
13718	11	1161.8	13751	11	1181.9	13785	11	1202.6	13953	11	1304.9
13719	11	1162.4	13752	11	1182.5	13786	11	1203.2	13954	11	1305.5
			13753	11	1183.1	13787	11	1203.8	13955	11	1306.1
13720	11	1163.0	13754	11	1183.7	13788	11	1204.4	13956	11	1306.7
13721	11	1163.6	13755	11	1184.3	13789	11	1205.0	13957	11	1307.3
13722	11	1164.2	13756	11	1185.0				13958	11	1307.9
13723	11	1164.9	13757	11	1185.6	13790	11	1205.7	13959	11	1308.5
13724	11	1165.5	13758	11	1186.2	13791	11	1206.3			
13725	11	1166.1	13759	11	1186.8	13792	11	1206.9	13960	11	1309.1
13726	11	1166.7				13793	11	1207.5	13961	11	1309.7
13727	11	1167.3	13760	11	1187.4	13794	11	1208.1	13962	11	1310.3
13728	11	1167.9	13761	11	1188.0	13795	11	1208.7	13963	11	1310.9
13729	11	1168.5	13762	11	1188.6	13796	11	1209.3	13964	11	1311.5
			13763	11	1189.2	13797	11	1210.0	13965	11	1312.1
13730	11	1169.1	13764	11	1189.8	13798	11	1210.6	13966	11	1312.7
13731	11	1169.7	13765	11	1190.5	13799	11	1211.2	13967	11	1313.3
13732	11	1170.3	13766	11	1191.1						
13733	11	1171.0	13767	11	1191.7	13800	11	1211.8	13968	11	1313.9

Use check point at 13800 Kc

**TABLE 5-2. CALIBRATION OF RADIO TRANSMITTER
T-47A/ART-13 OR T-47/ART-13 WHEN MCW-CFI 8Q-2 UNIT
IS USED. (Continued)**

Frequency: 14000-14100 Kc						Frequency: 14200-14300 Kc								
Freq.	A	B	Freq.	A	B	Freq.	A	B	Freq.	A	B	Freq.	A	B
14000	11	1333.7	14034	11	1354.5	14068	11	1375.2	14200	11	1455.7	14234	11	1476.5
14001	11	1334.3	14035	11	1355.1	14069	11	1375.8	14201	11	1456.3	14235	11	1477.1
14002	11	1334.9	14036	11	1355.7				14202	11	1456.9	14236	11	1477.7
14003	11	1335.6	14037	11	1356.3	14070	11	1376.4	14203	11	1457.5	14237	11	1478.3
14004	11	1336.2	14038	11	1356.9	14071	11	1377.0	14204	11	1458.1	14238	11	1479.0
14005	11	1336.8	14039	11	1357.5	14072	11	1377.6	14205	11	1458.7	14239	11	1479.6
14006	11	1337.4				14073	11	1378.2	14206	11	1459.3			
14007	11	1338.0	14040	11	1358.1	14074	11	1378.8	14207	11	1460.0	14240	11	1480.2
14008	11	1338.6	14041	11	1358.7	14075	11	1379.4	14208	11	1460.6	14241	11	1480.8
14009	11	1339.2	14042	11	1359.3	14076	11	1380.0	14209	11	1461.2	14242	11	1481.4
			14043	11	1359.9	14077	11	1380.6				14243	11	1482.0
14010	11	1339.8	14044	11	1360.6	14078	11	1381.2	14210	11	1461.8	14244	11	1482.7
14011	11	1340.4	14045	11	1361.2	14079	11	1381.9	14211	11	1462.4	14245	11	1483.3
14012	11	1341.0	14046	11	1361.8				14212	11	1463.0	14246	11	1483.9
14013	11	1341.7	14047	11	1362.4	14080	11	1382.5	14213	11	1463.6	14247	11	1484.5
14014	11	1342.3	14048	11	1363.0	14081	11	1383.1	14214	11	1464.2	14248	11	1485.1
14015	11	1342.9	14049	11	1363.6	14082	11	1383.7	14215	11	1464.8	14249	11	1485.7
14016	11	1343.5				14083	11	1384.3	14216	11	1465.4			
14017	11	1344.1	14050	11	1364.2	14084	11	1384.9	14217	11	1466.0	14250	11	1486.4
14018	11	1344.7	14051	11	1364.8	14085	11	1385.5	14218	11	1466.6	14251	11	1487.0
14019	11	1345.3	14052	11	1365.4	14086	11	1386.1	14219	11	1467.3	14252	11	1487.6
			14053	11	1366.0	14087	11	1386.7				14253	11	1488.2
14020	11	1345.9	14054	11	1366.6	14088	11	1387.3	14220	11	1467.9	14254	11	1488.8
14021	11	1346.5	14055	11	1367.3	14089	11	1387.9	14221	11	1468.5	14255	11	1489.4
14022	11	1347.1	14056	11	1367.9				14222	11	1469.1	14256	11	1490.0
14023	11	1347.8	14057	11	1368.5	14090	11	1388.6	14223	11	1469.7	14257	11	1490.7
14024	11	1348.4	14058	11	1369.1	14091	11	1389.2	14224	11	1470.3	14258	11	1491.3
14025	11	1349.0	14059	11	1369.7	14092	11	1389.8	14225	11	1470.9	14259	11	1491.9
14026	11	1349.6				14093	11	1390.4	14226	11	1471.6			
14027	11	1350.2	14060	11	1370.3	14094	11	1391.0	14227	11	1472.2	14260	11	1492.5
14028	11	1350.8	14061	11	1370.9	14095	11	1391.6	14228	11	1472.8	14261	11	1493.1
14029	11	1351.4	14062	11	1371.5	14096	11	1392.2	14229	11	1473.4	14262	11	1493.7
			14063	11	1372.1	14097	11	1392.8				14263	11	1494.4
14030	11	1352.0	14064	11	1372.7	14098	11	1393.4	14230	11	1474.0	14264	11	1495.0
14031	11	1352.6	14065	11	1373.3	14099	11	1394.0	14231	11	1474.6	14265	11	1495.6
14032	11	1353.2	14066	11	1373.9				14232	11	1475.3	14266	11	1496.2
14033	11	1353.9	14067	11	1374.6	14100	11	1394.6	14233	11	1475.9	14267	11	1496.8

Use check point at 13800 Kc

Frequency: 14100-14200 Kc						Frequency: 14300-14400 Kc								
Freq.	A	B	Freq.	A	B	Freq.	A	B	Freq.	A	B	Freq.	A	B
14100	11	1394.6	14134	11	1415.4	14168	11	1436.2	14300	11	1517.1	14334	11	1538.0
14101	11	1395.3	14135	11	1416.1	14169	11	1436.8	14301	11	1517.7	14335	11	1538.6
14102	11	1395.9	14136	11	1416.7				14302	11	1518.4	14336	11	1539.3
14103	11	1396.5	14137	11	1417.3	14170	11	1437.4	14303	11	1519.0	14337	11	1539.9
14104	11	1397.1	14138	11	1417.9	14171	11	1438.1	14304	11	1519.6	14338	11	1540.5
14105	11	1397.7	14139	11	1418.5	14172	11	1438.7	14305	11	1520.2	14339	11	1541.1
14106	11	1398.3				14173	11	1439.3	14306	11	1520.8			
14107	11	1398.9	14140	11	1419.1	14174	11	1439.9	14307	11	1521.4	14340	11	1541.7
14108	11	1399.5	14141	11	1419.7	14175	11	1440.5	14308	11	1522.1	14341	11	1542.3
14109	11	1400.1	14142	11	1420.3	14176	11	1441.1	14309	11	1522.7	14342	11	1542.9
			14143	11	1421.0	14177	11	1441.7				14343	11	1543.6
14110	11	1400.8	14144	11	1421.6	14178	11	1442.3	14310	11	1523.3	14344	11	1544.2
14111	11	1401.4	14145	11	1422.2	14179	11	1442.9	14311	11	1523.9	14345	11	1544.8
14112	11	1402.0	14146	11	1422.8				14312	11	1524.5	14346	11	1545.4
14113	11	1402.6	14147	11	1423.4	14180	11	1443.5	14313	11	1525.1	14347	11	1546.1
14114	11	1403.2	14148	11	1424.0	14181	11	1444.1	14314	11	1525.7	14348	11	1546.7
14115	11	1403.8	14149	11	1424.6	14182	11	1444.7	14315	11	1526.4	14349	11	1547.3
14116	11	1404.4				14183	11	1445.4	14316	11	1527.0			
14117	11	1405.0	14150	11	1425.2	14184	11	1446.0	14317	11	1527.6	14350	11	1547.9
14118	11	1405.7	14151	11	1425.9	14185	11	1446.6	14318	11	1528.2	14351	11	1548.5
14119	11	1406.3	14152	11	1426.5	14186	11	1447.2	14319	11	1528.8	14352	11	1549.1
			14153	11	1427.1	14187	11	1447.8				14353	11	1549.8
14120	11	1406.9	14154	11	1427.7	14188	11	1448.4	14320	11	1529.4	14354	11	1550.4
14121	11	1407.5	14155	11	1428.3	14189	11	1449.0	14321	11	1530.0	14355	11	1551.0
14122	11	1408.1	14156	11	1428.9				14322	11	1530.7	14356	11	1551.6
14123	11	1408.7	14157	11	1429.5	14190	11	1449.6	14323	11	1531.3	14357	11	1552.2
14124	11	1409.3	14158	11	1430.1	14191	11	1450.2	14324	11	1531.9	14358	11	1552.9
14125	11	1409.9	14159	11	1430.7	14192	11	1450.8	14325	11	1532.5	14359	11	1553.5
14126	11	1410.6				14193	11	1451.4	14326	11	1533.1			
14127	11	1411.2	14160	11	1431.4	14194	11	1452.0	14327	11	1533.7	14360	11	1554.1
14128	11	1411.8	14161	11	1432.0	14195	11	1452.6	14328	11	1534.3	14361	11	1554.7
14129	11	1412.4	14162	11	1432.6	14196	11	1453.3	14329	11	1535.0	14362	11	1555.3
			14163	11	1433.2	14197	11	1453.9				14363	11	1556.0
14130	11	1413.0	14164	11	1433.8	14198	11	1454.5	14330	11	1535.6	14364	11	1556.6
14131	11	1413.6	14165	11	1434.4	14199	11	1455.1	14331	11	1536.2	14365	11	1557.2
14132	11	1414.2	14166	11	1435.0				14332	11	1536.8	14366	11	1557.8
14133	11	1414.8	14167	11	1435.6	14200	11	1455.7	14333	11	1537.4	14367	11	1558.4

Use check point at 14400 Kc

AN 08-30 ART 13-3

**TABLE 5-2. CALIBRATION OF RADIO TRANSMITTER
T-47A/ART-13 OR T-47/ART-13 WHEN MCW-CFI 8Q-2 UNIT
IS USED. (Continued)**

Frequency: 14400-14500 Kc						Frequency: 14600-14700 Kc								
Freq.	A	B	Freq.	A	B	Freq.	A	B	Freq.	A	B	Freq.	A	B
14400	12	60.0	14434	12	77.4	14468	12	94.7	14600	12	161.9	14634	12	179.1
14401	12	60.5	14435	12	77.9	14469	12	95.3	14601	12	162.4	14635	12	179.7
14402	12	61.0	14436	12	78.4				14602	12	163.0	14636	12	180.2
14403	12	61.5	14437	12	78.9	14470	12	95.8	14603	12	163.5	14637	12	180.7
14404	12	62.0	14438	12	79.4	14471	12	96.3	14604	12	164.0	14638	12	181.2
14405	12	62.6	14439	12	79.9	14472	12	96.8	14605	12	164.5	14639	12	181.7
14406	12	63.1				14473	12	97.3	14606	12	165.0			
14407	12	63.6	14440	12	80.4	14474	12	97.8	14607	12	165.5	14640	12	182.2
14408	12	64.1	14441	12	81.0	14475	12	98.3	14608	12	166.0	14641	12	182.7
14409	12	64.6	14442	12	81.5	14476	12	98.8	14609	12	166.5	14642	12	183.2
			14443	12	82.0	14477	12	99.3				14643	12	183.7
14410	12	65.1	14444	12	82.5	14478	12	99.9	14610	12	167.0	14644	12	184.2
14411	12	65.6	14445	12	83.0	14479	12	100.4	14611	12	167.5	14645	12	184.7
14412	12	66.1	14446	12	83.5				14612	12	168.0	14646	12	185.2
14413	12	66.6	14447	12	84.0	14480	12	100.9	14613	12	168.5	14647	12	185.7
14414	12	67.2	14448	12	84.5	14481	12	101.4	14614	12	169.0	14648	12	186.2
14415	12	67.7	14449	12	85.0	14482	12	101.9	14615	12	169.5	14649	12	186.7
14416	12	68.2				14483	12	102.4	14616	12	170.0			
14417	12	68.7	14450	12	85.6	14484	12	102.9	14617	12	170.5	14650	12	187.3
14418	12	69.2	14451	12	86.1	14485	12	103.4	14618	12	171.0	14651	12	187.8
14419	12	69.7	14452	12	86.6	14486	12	103.9	14619	12	171.6	14652	12	188.3
			14453	12	87.1	14487	12	104.5				14653	12	188.8
14420	12	70.2	14454	12	87.6	14488	12	105.0	14620	12	172.1	14654	12	189.3
14421	12	70.7	14455	12	88.1	14489	12	105.5	14621	12	172.6	14655	12	189.8
14422	12	71.2	14456	12	88.6				14622	12	173.1	14656	12	190.3
14423	12	71.8	14457	12	89.1	14490	12	106.0	14623	12	173.6	14657	12	190.8
14424	12	72.3	14458	12	89.6	14491	12	106.5	14624	12	174.1	14658	12	191.3
14425	12	72.8	14459	12	90.1	14492	12	107.0	14625	12	174.6	14659	12	191.8
14426	12	73.3				14493	12	107.5	14626	12	175.1			
14427	12	73.8	14460	12	90.7	14494	12	108.0	14627	12	175.6	14660	12	192.3
14428	12	74.3	14461	12	91.2	14495	12	108.5	14628	12	176.1	14661	12	192.8
14429	12	74.8	14462	12	91.7	14496	12	109.1	14629	12	176.6	14662	12	193.3
			14463	12	92.2	14497	12	109.6				14663	12	193.8
14430	12	75.3	14464	12	92.7	14498	12	110.1	14630	12	177.1	14664	12	194.3
14431	12	75.8	14465	12	93.2	14499	12	110.6	14631	12	177.6	14665	12	194.8
14432	12	76.4	14466	12	93.7				14632	12	178.1	14666	12	195.4
14433	12	76.9	14467	12	94.2	14500	12	111.1	14633	12	178.6	14667	12	195.9

Use check point at 14400 Kc

Use check point at 14400 Kc

Frequency: 14500-14600 Kc

Frequency: 14700-14800 Kc

Freq.	A	B	Freq.	A	B	Freq.	A	B
14500	12	111.1	14534	12	128.4	14568	12	145.7
14501	12	111.6	14535	12	128.9	14569	12	146.2
14502	12	112.1	14536	12	129.5			
14503	12	112.6	14537	12	130.0	14570	12	146.7
14504	12	113.1	14538	12	130.5	14571	12	147.2
14505	12	113.7	14539	12	131.0	14572	12	147.8
14506	12	114.2				14573	12	148.3
14507	12	114.7	14540	12	131.5	14574	12	148.8
14508	12	115.2	14541	12	132.0	14575	12	149.3
14509	12	115.7	14542	12	132.5	14576	12	149.8
			14543	12	133.0	14577	12	150.3
14510	12	116.2	14544	12	133.5	14578	12	150.8
14511	12	116.7	14545	12	134.0	14579	12	151.3
14512	12	117.2	14546	12	134.5			
14513	12	117.7	14547	12	135.0	14580	12	151.8
14514	12	118.3	14548	12	135.6	14581	12	152.3
14515	12	118.8	14549	12	136.1	14582	12	152.8
14516	12	119.3				14583	12	153.3
14517	12	119.8	14550	12	136.6	14584	12	153.8
14518	12	120.3	14551	12	137.1	14585	12	154.4
14519	12	120.8	14552	12	137.6	14586	12	154.9
			14553	12	138.1	14587	12	155.4
14520	12	121.3	14554	12	138.6	14588	12	155.9
14521	12	121.8	14555	12	139.1	14589	12	156.4
14522	12	122.3	14556	12	139.6			
14523	12	122.8	14557	12	140.1	14590	12	156.9
14524	12	123.4	14558	12	140.6	14591	12	157.4
14525	12	123.9	14559	12	141.1	14592	12	157.9
14526	12	124.4				14593	12	158.4
14527	12	124.9	14560	12	141.7	14594	12	158.9
14528	12	125.4	14561	12	142.2	14595	12	159.4
14529	12	125.9	14562	12	142.7	14596	12	159.9
			14563	12	143.2	14597	12	160.4
14530	12	126.4	14564	12	143.7	14598	12	160.9
14531	12	126.9	14565	12	144.2	14599	12	161.4
14532	12	127.4	14566	12	144.7			
14533	12	127.9	14567	12	145.2	14600	12	161.9

Use check point at 14400 Kc

Freq.	A	B	Freq.	A	B	Freq.	A	B
14700	12	212.6	14734	12	229.8	14768	12	247.0
14701	12	213.1	14735	12	230.3	14769	12	247.5
14702	12	213.6	14736	12	230.8			
14703	12	214.1	14737	12	231.3	14770	12	248.1
14704	12	214.6	14738	12	231.8	14771	12	248.6
14705	12	215.1	14739	12	232.3	14772	12	249.1
14706	12	215.6				14773	12	249.6
14707	12	216.1	14740	12	232.8	14774	12	250.1
14708	12	216.6	14741	12	233.3	14775	12	250.6
14709	12	217.2	14742	12	233.9	14776	12	251.1
			14743	12	234.4	14777	12	251.6
14710	12	217.7	14744	12	234.9	14778	12	252.1
14711	12	218.2	14745	12	235.4	14779	12	252.6
14712	12	218.7	14746	12	235.9			
14713	12	219.2	14747	12	236.4	14780	12	253.1
14714	12	219.7	14748	12	236.9	14781	12	253.6
14715	12	220.2	14749	12	237.4	14782	12	254.2
14716	12	220.7				14783	12	254.7
14717	12	221.2	14750	12	237.9	14784	12	255.2
14718	12	221.7	14751	12	238.4	14785	12	255.7
14719	12	222.2	14752	12	238.9	14786	12	256.2
			14753	12	239.4	14787	12	256.7
14720	12	222.7	14754	12	239.9	14788	12	257.2
14721	12	223.2	14755	12	240.4	14789	12	257.7
14722	12	223.7	14756	12	240.9			
14723	12	224.2	14757	12	241.4	14790	12	258.2
14724	12	224.7	14758	12	241.9	14791	12	258.7
14725	12	225.3	14759	12	242.5	14792	12	259.2
14726	12	225.8				14793	12	259.8
14727	12	226.3	14760	12	243.0	14794	12	260.3
14728	12	226.8	14761	12	243.5	14795	12	260.8
14729	12	227.3	14762	12	244.0	14796	12	261.3
			14763	12	244.5	14797	12	261.8
14730	12	227.8	14764	12	245.0	14798	12	262.3
14731	12	228.3	14765	12	245.5	14799	12	262.8
14732	12	228.8	14766	12	246.0			
14733	12	229.3	14767	12	246.5	14800	12	263.3

Use check point at 15000 Kc

SECTION V

AN 08-30 ART 13-3

**TABLE 5-2. CALIBRATION OF RADIO TRANSMITTER
T-47A/ART-13 OR T-47/ART-13 WHEN MCW-CFI 8Q-2 UNIT
IS USED. (Continued)**

Frequency: 14800-14900 Kc

Freq.	A	B	Freq.	A	B	Freq.	A	B			
14800	12	263	3	14834	12	280	6	14868	12	297	8
14801	12	263	8	14835	12	281	1	14869	12	298	3
14802	12	264	3	14836	12	281	6				
14803	12	264	8	14837	12	282	1	14870	12	298	8
14804	12	265	4	14838	12	282	6	14871	12	299	3
14805	12	265	9	14839	12	283	1	14872	12	299	8
14806	12	266	4					14873	12	300	4
14807	12	266	9	14840	12	283	6	14874	12	300	9
14808	12	267	4	14841	12	284	1	14875	12	301	4
14809	12	267	9	14842	12	284	6	14876	12	301	9
				14843	12	285	2	14877	12	302	4
14810	12	268	4	14844	12	285	7	14878	12	302	9
14811	12	268	9	14845	12	286	2	14879	12	303	4
14812	12	269	4	14846	12	286	7				
14813	12	269	9	14847	12	287	2	14880	12	303	9
14814	12	270	4	14848	12	287	7	14881	12	304	4
14815	12	271	0	14849	12	288	2	14882	12	304	9
14816	12	271	5					14883	12	305	4
14817	12	272	0	14850	12	288	7	14884	12	305	9
14818	12	272	5	14851	12	289	2	14885	12	306	4
14819	12	273	0	14852	12	289	7	14886	12	307	0
				14853	12	290	2	14887	12	307	5
14820	12	273	5	14854	12	290	7	14888	12	308	0
14821	12	274	0	14855	12	291	2	14889	12	308	5
14822	12	274	5	14856	12	291	7				
14823	12	275	0	14857	12	292	2	14890	12	309	0
14824	12	275	5	14858	12	292	7	14891	12	309	5
14825	12	276	0	14859	12	293	3	14892	12	310	0
14826	12	276	5					14893	12	310	5
14827	12	277	0	14860	12	293	8	14894	12	311	0
14828	12	277	5	14861	12	294	3	14895	12	311	5
14829	12	278	1	14862	12	294	8	14896	12	312	1
				14863	12	295	3	14897	12	312	6
14830	12	278	6	14864	12	295	8	14898	12	313	1
14831	12	279	1	14865	12	296	3	14899	12	313	6
14832	12	279	6	14866	12	296	8				
14833	12	280	1	14867	12	297	3	14900	12	314	1

Use check point at 15000 Kc

Frequency: 15000-15100 Kc

Freq.	A	B	Freq.	A	B	Freq.	A	B			
15000	12	365	2	15034	12	382	4	15068	12	399	7
15001	12	365	7	15035	12	382	9	15069	12	400	2
15002	12	366	2	15036	12	383	4				
15003	12	366	7	15037	12	383	9	15070	12	400	7
15004	12	367	2	15038	12	384	5	15071	12	401	3
15005	12	367	7	15039	12	385	0	15072	12	401	8
15006	12	368	2					15073	12	402	3
15007	12	368	7	15040	12	385	5	15074	12	402	8
15008	12	369	2	15041	12	386	0	15075	12	403	3
15009	12	369	7	15042	12	386	5	15076	12	403	8
				15043	12	387	0	15077	12	404	3
15010	12	370	2	15044	12	387	5	15078	12	404	8
15011	12	370	7	15045	12	388	0	15079	12	405	4
15012	12	371	3	15046	12	388	5				
15013	12	371	8	15047	12	389	0	15080	12	405	9
15014	12	372	3	15048	12	389	5	15081	12	406	4
15015	12	372	8	15049	12	390	0	15082	12	406	9
15016	12	373	3					15083	12	407	4
15017	12	373	8	15050	12	390	5	15084	12	407	9
15018	12	374	3	15051	12	391	0	15085	12	408	4
15019	12	374	8	15052	12	391	5	15086	12	408	9
				15053	12	392	0	15087	12	409	5
15020	12	375	3	15054	12	392	5	15088	12	410	0
15021	12	375	8	15055	12	393	0	15089	12	410	5
15022	12	376	3	15056	12	393	5				
15023	12	376	8	15057	12	394	0	15090	12	411	0
15024	12	377	3	15058	12	394	5	15091	12	411	5
15025	12	377	8	15059	12	395	0	15092	12	412	0
15026	12	378	3					15093	12	412	5
15027	12	378	8	15060	12	395	5	15094	12	413	1
15028	12	379	3	15061	12	396	0	15095	12	413	6
15029	12	379	8	15062	12	396	5	15096	12	414	1
				15063	12	397	0	15097	12	414	6
15030	12	380	4	15064	12	397	5	15098	12	415	1
15031	12	380	9	15065	12	398	0	15099	12	415	6
15032	12	381	4	15066	12	398	5				
15033	12	381	9	15067	12	399	0	15100	12	416	1

Use check point at 15000 Kc

Frequency: 14900-15000 Kc

Freq.	A	B	Freq.	A	B	Freq.	A	B			
14900	12	314	1	14934	12	331	4	14968	12	348	8
14901	12	314	6	14935	12	331	9	14969	12	349	3
14902	12	315	1	14936	12	332	4				
14903	12	315	6	14937	12	333	0	14970	12	349	8
14904	12	316	1	14938	12	333	5	14971	12	350	3
14905	12	316	6	14939	12	334	0	14972	12	350	8
14906	12	317	2					14973	12	351	4
14907	12	317	7	14940	12	334	5	14974	12	351	9
14908	12	318	2	14941	12	335	0	14975	12	352	4
14909	12	318	7	14942	12	335	5	14976	12	352	9
				14943	12	336	0	14977	12	353	4
14910	12	319	2	14944	12	336	5	14978	12	353	9
14911	12	319	7	14945	12	337	0	14979	12	354	4
14912	12	320	2	14946	12	337	5				
14913	12	320	7	14947	12	338	1	14980	12	354	9
14914	12	321	2	14948	12	338	6	14981	12	355	4
14915	12	321	7	14949	12	339	1	14982	12	356	0
14916	12	322	2					14983	12	356	5
14917	12	322	7	14950	12	339	6	14984	12	357	0
14918	12	323	3	14951	12	340	1	14985	12	357	5
14919	12	323	8	14952	12	340	6	14986	12	358	0
				14953	12	341	1	14987	12	358	5
14920	12	324	3	14954	12	341	6	14988	12	359	0
14921	12	324	8	14955	12	342	2	14989	12	359	5
14922	12	325	3	14956	12	342	7				
14923	12	325	8	14957	12	343	2	14990	12	360	0
14924	12	326	3	14958	12	343	7	14991	12	360	5
14925	12	326	8	14959	12	344	2	14992	12	361	1
14926	12	327	3					14993	12	361	6
14927	12	327	8	14960	12	344	7	14994	12	362	1
14928	12	328	4	14961	12	345	2	14995	12	362	6
14929	12	328	9	14962	12	345	7	14996	12	363	1
				14963	12	346	2	14997	12	363	6
14930	12	329	4	14964	12	346	7	14998	12	364	1
14931	12	329	9	14965	12	347	3	14999	12	364	6
14932	12	330	4	14966	12	347	8				
14933	12	330	9	14967	12	348	3	15000	12	365	2

Use check point at 15000 Kc

Frequency: 15100-15200 Kc

Freq.	A	B	Freq.	A	B	Freq.	A	B			
15100	12	416	1	15134	12	433	6	15168	12	451	1
15101	12	416	6	15135	12	434	1	15169	12	451	6
15102	12	417	2	15136	12	434	6				
15103	12	417	7	15137	12	435	1	15170	12	452	1
15104	12	418	2	15138	12	435	6	15171	12	452	6
15105	12	418	7	15139	12	436	2	15172	12	453	1
15106	12	419	2					15173	12	453	6
15107	12	419	7	15140	12	436	7	15174	12	454	2
15108	12	420	2	15141	12	437	2	15175	12	454	7
15109	12	420	7	15142	12	437	7	15176	12	455	2
				15143	12	438	2	15177	12	455	7</

AN 08-30 ART 13-3

**TABLE 5-2. CALIBRATION OF RADIO TRANSMITTER
T-47A/ART-13 OR T-47/ART-13 WHEN MCW-CFI 8Q-2 UNIT
IS USED. (Continued)**

Frequency: 15200-15300 Kc						Frequency: 15400-15500 Kc					
Freq.	A	B	Freq.	A	B	Freq.	A	B	Freq.	A	B
15200	12 467 4		15234	12 484 8		15268	12 502 3		15400	12 570 3	
15201	12 467 9		15235	12 485 3		15269	12 502 9		15401	12 570 8	
15202	12 468 5		15236	12 485 8					15402	12 571 3	
15203	12 469 0		15237	12 486 3		15270	12 503 4		15403	12 571 8	
15204	12 469 5		15238	12 486 8		15271	12 503 9		15404	12 572 4	
15205	12 470 0		15239	12 487 3		15272	12 504 4		15405	12 572 9	
15206	12 470 5					15273	12 504 9		15406	12 573 4	
15207	12 471 0		15240	12 487 8		15274	12 505 4		15407	12 573 9	
15208	12 471 5		15241	12 488 3		15275	12 505 9		15408	12 574 4	
15209	12 472 0		15242	12 488 8		15276	12 506 5		15409	12 574 9	
			15243	12 489 4		15277	12 507 0				
15210	12 472 5		15244	12 489 9		15278	12 507 5		15410	12 575 4	
15211	12 473 0		15245	12 490 4		15279	12 508 0		15411	12 576 0	
15212	12 473 5		15246	12 490 9					15412	12 576 5	
15213	12 474 1		15247	12 491 4		15280	12 508 6		15413	12 577 0	
15214	12 474 6		15248	12 492 0		15281	12 509 1		15414	12 577 5	
15215	12 475 1		15249	12 492 5		15282	12 509 6		15415	12 578 0	
15216	12 475 6					15283	12 510 1		15416	12 578 5	
15217	12 476 1		15250	12 493 0		15284	12 510 6		15417	12 579 0	
15218	12 476 6		15251	12 493 5		15285	12 511 1		15418	12 579 5	
15219	12 477 1		15252	12 494 0		15286	12 511 6		15419	12 580 0	
			15253	12 494 6		15287	12 512 2				
15220	12 477 6		15254	12 495 1		15288	12 512 7		15420	12 580 6	
15221	12 478 1		15255	12 495 6		16289	12 613 2		15421	12 581 1	
15222	12 478 6		15256	12 496 1					15422	12 581 6	
15223	12 479 2		15257	12 496 6		15290	12 513 7		15423	12 582 1	
15224	12 479 7		15258	12 497 2		15291	12 514 3		15424	12 582 6	
15225	12 480 2		15259	12 497 7		15292	12 514 8		15425	12 583 2	
15226	12 480 7					15293	12 515 3		15426	12 583 7	
15227	12 481 2		15260	12 498 2		15294	12 515 8		15427	12 584 2	
15228	12 481 7		15261	12 498 7		15295	12 516 3		15428	12 584 7	
15229	12 482 2		15262	12 499 2		15296	12 516 8		15429	12 585 2	
			15263	12 499 7		15297	12 517 4				
15230	12 482 7		15264	12 500 3		15298	12 517 9		15430	12 585 7	
15231	12 483 2		15265	12 500 8		15299	12 518 4		15431	12 586 3	
15232	12 483 7		15266	12 501 3					15432	12 586 8	
15233	12 484 3		15267	12 501 8		15300	12 518 9		15433	12 587 3	

Use check point at 15000 Kc

Frequency: 15300-15400 Kc						Frequency: 15500-15600 Kc					
Freq.	A	B	Freq.	A	B	Freq.	A	B	Freq.	A	B
15300	12 518 9		15334	12 536 4		15368	12 553 8		15500	12 621 9	
15301	12 519 4		15335	12 536 9		15369	12 554 3		15501	12 622 4	
15302	12 519 9		15336	12 537 4					15502	12 622 9	
15303	12 520 5		15337	12 537 9		15370	12 554 9		15503	12 623 4	
15304	12 521 0		15338	12 538 4		15371	12 555 4		15504	12 623 9	
15305	12 521 5		15339	12 538 9		15372	12 555 9		15505	12 624 5	
15306	12 522 0					15373	12 556 4		15506	12 625 0	
15307	12 522 5		15340	12 539 5		15374	12 556 9		15507	12 625 5	
15308	12 523 0		15341	12 540 0		15375	12 557 4		15508	12 626 0	
15309	12 523 5		15342	12 540 5		15376	12 557 9		15509	12 626 5	
			15343	12 541 0		15377	12 558 5				
15310	12 524 1		15344	12 541 5		15378	12 559 0		15510	12 627 0	
15311	12 524 6		15345	12 542 0		15379	12 559 5		15511	12 627 6	
15312	12 525 1		15346	12 542 5					15512	12 628 1	
15313	12 525 6		15347	12 543 0		15380	12 560 0		15513	12 628 6	
15314	12 526 1		15348	12 543 6		15381	12 560 5		15514	12 629 1	
15315	12 526 6		15349	12 544 1		15382	12 561 0		15515	12 629 6	
15316	12 527 1					15383	12 561 5		15516	12 630 1	
15317	12 527 6		15350	12 544 6		15384	12 562 1		15517	12 630 6	
15318	12 528 2		15351	12 545 1		15385	12 562 6		15518	12 631 2	
15319	12 528 7		15352	12 545 6		15386	12 563 1		15519	12 631 7	
			15353	12 546 1		15387	12 563 6				
15320	12 529 2		15354	12 546 6		15388	12 564 1		15520	12 632 2	
15321	12 529 7		15355	12 547 2		15389	12 564 6		15521	12 632 7	
15322	12 530 2		15356	12 547 7					15522	12 633 2	
15323	12 530 7		15357	12 548 2		15390	12 565 2		15523	12 633 7	
15324	12 531 2		15358	12 548 7		15391	12 565 7		15524	12 634 3	
15325	12 531 8		15359	12 549 2		15392	12 566 2		15525	12 634 8	
15326	12 532 3					15393	12 566 7		15526	12 635 3	
15327	12 532 8		15360	12 549 7		15394	12 567 2		15527	12 635 8	
15328	12 533 3		15361	12 550 2		15395	12 567 7		15528	12 636 3	
15329	12 533 8		15362	12 550 7		15396	12 568 2		15529	12 636 8	
			15363	12 551 3		15397	12 568 8				
15330	12 534 3		15364	12 551 8		15398	12 569 3		15530	12 637 3	
15331	12 534 8		15365	12 552 3		15399	12 569 8		15531	12 637 9	
15332	12 535 3		15366	12 552 8					15532	12 638 4	
15333	12 535 9		15367	12 553 3		15400	12 570 3		15533	12 638 9	

Use check point at 15600 Kc

SECTION V

AN 08-30 ART 13-3

**TABLE 5-2. CALIBRATION OF RADIO TRANSMITTER
T-47A/ART-13 OR T-47/ART-13 WHEN MCW-CFI 8Q-2 UNIT
IS USED. (Continued)**

Frequency: 15600-15700 Kc

Freq.	A	B	Freq.	A	B	Freq.	A	B
15600	12	678.4	15634	12	690.9	15668	12	708.4
15601	12	673.9	15635	12	691.4	15669	12	708.9
15602	12	674.4	15636	12	691.9			
15603	12	675.0	15637	12	692.4	15670	12	709.4
15604	12	675.5	15638	12	692.9	15671	12	709.9
15605	12	676.0	15639	12	693.5	15672	12	710.4
15606	12	676.5				15673	12	711.0
15607	12	677.0	15640	12	694.0	15674	12	711.5
15608	12	677.5	15641	12	694.5	15675	12	712.0
15609	12	678.0	15642	12	695.0	15676	12	712.5
			15643	12	695.5	15677	12	713.0
15610	12	678.6	15644	12	696.0	15678	12	713.5
15611	12	679.1	15645	12	696.6	15679	12	714.1
15612	12	679.6	15646	12	697.0			
15613	12	680.1	15647	12	697.6	15680	12	714.6
15614	12	680.6	15648	12	698.1	15681	12	715.1
15615	12	681.1	15649	12	698.6	15682	12	715.6
15616	12	681.6				15683	12	716.1
15617	12	682.2	15650	12	699.1	15684	12	716.6
15618	12	682.7	15651	12	699.6	15685	12	717.2
15619	12	683.2	15652	12	700.1	15686	12	717.7
			15653	12	700.6	15687	12	718.2
15620	12	683.7	15654	12	701.2	15688	12	718.7
15621	12	684.2	15655	12	701.7	15689	12	719.2
15622	12	684.7	15656	12	702.2			
15623	12	685.2	15657	12	702.7	15690	12	719.8
15624	12	685.7	15658	12	703.2	15691	12	720.3
15625	12	686.3	15659	12	703.7	15692	12	720.8
15626	12	686.8				15693	12	721.3
15627	12	687.3	15660	12	704.2	15694	12	721.8
15628	12	687.8	15661	12	704.8	15695	12	722.3
15629	12	688.3	15662	12	705.3	15696	12	722.9
			15663	12	705.8	15697	12	723.4
15630	12	688.8	15664	12	706.3	15698	12	723.9
15631	12	689.3	15665	12	706.8	15699	12	724.4
15632	12	689.9	15666	12	707.3			
15633	12	690.4	15667	12	707.9	15700	12	724.9

Use check point at 15600 Kc

Frequency: 15800-15900 Kc

Freq.	A	B	Freq.	A	B	Freq.	A	B
15800	12	776.3	15834	12	793.8	15868	12	811.4
15801	12	776.8	15835	12	794.3	15869	12	811.9
15802	12	777.3	15836	12	794.8			
15803	12	777.8	15837	12	795.3	15870	12	812.4
15804	12	778.3	15838	12	795.8	15871	12	812.9
15805	12	778.8	15839	12	796.3	15872	12	813.4
15806	12	779.4				15873	12	814.0
15807	12	779.9	15840	12	796.9	15874	12	814.5
15808	12	780.4	15841	12	797.4	15875	12	815.0
15809	12	780.9	15842	12	797.9	15876	12	815.5
			15843	12	798.4	15877	12	816.0
15810	12	781.4	15844	12	798.9	15878	12	816.6
15811	12	781.9	15845	12	799.5	15879	12	817.1
15812	12	782.4	15846	12	800.0			
15813	12	783.0	15847	12	800.5	15880	12	817.6
15814	12	783.5	15848	12	801.0	15881	12	818.1
15815	12	784.0	15849	12	801.5	15882	12	818.6
15816	12	784.5				15883	12	819.1
15817	12	785.0	15850	12	802.0	15884	12	819.7
15818	12	785.5	15851	12	802.6	15885	12	820.2
15819	12	786.0	15852	12	803.1	15886	12	820.7
			15853	12	803.6	15887	12	821.2
15820	12	786.6	15854	12	804.1	15888	12	821.7
15821	12	787.1	15855	12	804.6	15889	12	822.3
15822	12	787.6	15856	12	805.2			
15823	12	788.1	15857	12	805.7	15890	12	822.8
15824	12	788.6	15858	12	806.2	15891	12	823.3
15825	12	789.1	15859	12	806.7	15892	12	823.8
15826	12	789.7				15893	12	824.3
15827	12	790.2	15860	12	807.2	15894	12	824.9
15828	12	790.7	15861	12	807.7	15895	12	825.4
15829	12	791.2	15862	12	808.3	15896	12	825.9
			15863	12	808.8	15897	12	826.4
15830	12	791.7	15864	12	809.3	15898	12	826.9
15831	12	792.2	15865	12	809.8	15899	12	827.4
15832	12	792.7	15866	12	810.3			
15833	12	793.3	15867	12	810.9	15900	12	828.0

Use check point at 15800 Kc

Frequency: 15700-15800 Kc

Freq.	A	B	Freq.	A	B	Freq.	A	B
15700	12	724.9	15734	12	742.4	15768	12	759.8
15701	12	725.4	15735	12	742.9	15769	12	760.3
15702	12	726.0	15736	12	743.4			
15703	12	726.5	15737	12	744.0	15770	12	760.8
15704	12	727.0	15738	12	744.5	15771	12	761.4
15705	12	727.5	15739	12	745.0	15772	12	761.9
15706	12	728.0				15773	12	762.4
15707	12	728.5	15740	12	745.5	15774	12	762.9
15708	12	729.0	15741	12	746.0	15775	12	763.4
15709	12	729.6	15742	12	746.5	15776	12	763.9
			15743	12	747.0	15777	12	764.4
15710	12	730.1	15744	12	747.5	15778	12	764.9
15711	12	730.6	15745	12	748.1	15779	12	765.4
15712	12	731.1	15746	12	748.6			
15713	12	731.6	15747	12	749.1	15780	12	766.0
15714	12	732.2	15748	12	749.6	15781	12	766.5
15715	12	732.7	15749	12	750.1	15782	12	767.0
15716	12	733.2				15783	12	767.5
15717	12	733.7	15750	12	750.6	15784	12	768.0
15718	12	734.2	15751	12	751.1	15785	12	768.5
15719	12	734.7	15752	12	751.6	15786	12	769.1
			15753	12	752.1	15787	12	769.6
15720	12	735.3	15754	12	752.7	15788	12	770.1
15721	12	735.8	15755	12	753.2	15789	12	770.6
15722	12	736.3	15756	12	753.7			
15723	12	736.8	15757	12	754.2	15790	12	771.1
15724	12	737.3	15758	12	754.7	15791	12	771.6
15725	12	737.8	15759	12	755.2	15792	12	772.1
15726	12	738.3				15793	12	772.7
15727	12	738.8	15760	12	755.7	15794	12	773.2
15728	12	739.4	15761	12	756.2	15795	12	773.7
15729	12	739.9	15762	12	756.8	15796	12	774.2
			15763	12	757.3	15797	12	774.7
15730	12	740.4	15764	12	757.8	15798	12	775.2
15731	12	740.9	15765	12	758.3	15799	12	775.7
15732	12	741.4	15766	12	758.8			
15733	12	741.9	15767	12	759.3	15800	12	776.3

Use check point at 15600 Kc

Frequency: 15900-16000 Kc

Freq.	A	B	Freq.	A	B	Freq.	A	B
15900	12	828.0	15934	12	845.4	15968	12	862.8
15901	12	828.5	15935	12	845.9	15969	12	863.3
15902	12	829.0	15936	12	846.4			
15903	12	829.5	15937	12	847.0	15970	12	863.8
15904	12	830.0	15938	12	847.5	15971	12	864.3
15905	12	830.5	15939	12	848.0	15972	12	864.8
15906	12	831.0				15973	12	865.3
15907	12	831.6	15940	12	848.5	15974	12	865.8
15908	12	832.1	15941	12	849.0	15975	12	866.4
15909	12	832.6	15942	12	849.5	15976	12	866.9
			15943	12	850.0	15977	12	867.4
15910	12	833.1	15944	12	850.5	15978	12	867.9
15911	12	833.6	15945	12	851.1	15979	12	868.4
15912	12	834.1	15946	12	851.6			
15913	12	834.6	15947	12	852.1	15980	12	868.9
15914	12	835.1	15948	12	852.6	15981	12	869.4
15915	12	835.7	15949	12	853.1	15982	12	869.9
15916	12	836.2				15983	12	870.4
15917	12	836.7	15950	12	853.6	15984	12	870.9
15918	12	837.2	15951	12	854.1	15985	12	871.4
15919	12	837.7	15952	12	854.7	15986	12	871.9
			15953	12	855.2	15987	12	872.4
15920	12	838.2	15954	12	855.7	15988	12	872.9
15921	12	838.7	15955	12	856.2	15989	12	873.4
15922	12	839.3	15956	12	856.7			
15923	12	839.8	15957	12	857.2	15990	12	874.0
15924	12	840.3	15958	12	857.7	15991	12	874.5
15925	12	840.8	15959	12	858.2	15992	12	875.0
15926	12	841.3				15993	12	

AN 08-30 ART 13-3

**TABLE 5-2. CALIBRATION OF RADIO TRANSMITTER
T-47A/ART-13 OR T-47/ART-13 WHEN MCW-CFI 8Q-2 UNIT
IS USED. (Continued)**

Frequency: 16000-16100 Kc						Frequency: 16200-16300 Kc								
Freq.	A	B	Freq.	A	B	Freq.	A	B	Freq.	A	B	Freq.	A	B
16000	12	879 0	16034	12	896 3	16068	12	913 8	16200	12	981.4	16234	12	998.7
16001	12	879 5	16035	12	896 9	16069	12	914 4	16201	12	981.9	16235	12	999.2
16002	12	880 0	16036	12	897 4				16202	12	982.4	16236	12	999.7
16003	12	880 5	16037	12	897 9	16070	12	914 9	16203	12	982.9	16237	12	1000.2
16004	12	881 0	16038	12	898 4	16071	12	915 4	16204	12	983.4	16238	12	1000.7
16005	12	881 5	16039	12	898 9	16072	12	915 9	16205	12	983.9	16239	12	1001.3
16006	12	882 1				16073	12	916 4	16206	12	984.4			
16007	12	882 6	16040	12	899 4	16074	12	916 9	16207	12	984.9	16240	12	1001.8
16008	12	883 1	16041	12	899 9	16075	12	917 4	16208	12	985.4	16241	12	1002.3
16009	12	883 6	16042	12	900 5	16076	12	918 0	16209	12	986.0	16242	12	1002.8
			16043	12	901 0	16077	12	918 5				16243	12	1003.3
16010	12	884 1	16044	12	901 5	16078	12	919 0	16210	12	986.5	16244	12	1003.8
16011	12	884 6	16045	12	902 0	16079	12	919 5	16211	12	987.0	16245	12	1004.3
16012	12	885 1	16046	12	902 5				16212	12	987.5	16246	12	1004.8
16013	12	885 6	16047	12	903 0	16080	12	920 0	16213	12	988.0	16247	12	1005.3
16014	12	886 1	16048	12	903 6	16081	12	920 5	16214	12	988.5	16248	12	1005.8
16015	12	886 6	16049	12	904 1	16082	12	921 0	16215	12	989 0	16249	12	1006.4
16016	12	887 1				16083	12	921 6	16216	12	989.5			
16017	12	887 6	16050	12	904 6	16084	12	922 1	16217	12	990.0	16250	12	1006.7
16018	12	888 1	16051	12	905 1	16085	12	922 6	16218	12	990.5	16251	12	1007.2
16019	12	888 6	16052	12	905 6	16086	12	923 1	16219	12	991.1	16252	12	1007.7
			16053	12	906 1	16087	12	923 6				16253	12	1008.2
16020	12	889 1	16054	12	906 6	16088	12	924 1	16220	12	991.6	16254	12	1008.7
16021	12	889 7	16055	12	907 2	16089	12	924 6	16221	12	992.1	16255	12	1009.2
16022	12	890 2	16056	12	907 7				16222	12	992.6	16256	12	1009.7
16023	12	890 7	16057	12	908 2	16090	12	925 1	16223	12	993.1	16257	12	1010.2
16024	12	891 2	16058	12	908 7	16091	12	925 6	16224	12	993.6	16258	12	1010.7
16025	12	891 7	16059	12	909 2	16092	12	926 1	16225	12	994.1	16259	12	1011.2
16026	12	892 2				16093	12	926 6	16226	12	994.6			
16027	12	892 7	16060	12	909 7	16094	12	927 2	16227	12	995.1	16260	12	1012.0
16028	12	893 3	16061	12	910 2	16095	12	927 7	16228	12	995.6	16261	12	1012.5
16029	12	893 8	16062	12	910 8	16096	12	928 2	16229	12	996.2	16262	12	1013.0
			16063	12	911 3	16097	12	928 7				16263	12	1013.5
16030	12	894 3	16064	12	911 8	16098	12	929 2	16230	12	996.7	16264	12	1014.0
16031	12	894 8	16065	12	912 3	16099	12	929 7	16231	12	997.2	16265	12	1014.5
16032	12	895 3	16066	12	912 8				16232	12	997.7	16266	12	1015.0
16033	12	895 8	16067	12	913 3	16100	12	930 2	16233	12	998.2	16267	12	1015.5

Use check point at 16200 Kc

Frequency: 16100-16200 Kc						Frequency: 16300-16400 Kc								
Freq.	A	B	Freq.	A	B	Freq.	A	B	Freq.	A	B	Freq.	A	B
16100	12	930 2	16134	12	947 6	16168	12	965 0	16300	12	1032.3	16334	12	1049.6
16101	12	930 7	16135	12	948 1	16169	12	965 5	16301	12	1032.8	16335	12	1050.1
16102	12	931 3	16136	12	948 6				16302	12	1033.3	16336	12	1050.6
16103	12	931 8	16137	12	949 1	16170	12	966 0	16303	12	1033.8	16337	12	1051.1
16104	12	932 3	16138	12	949 6	16171	12	966 5	16304	12	1034.3	16338	12	1051.6
16105	12	932 8	16139	12	950 1	16172	12	967 0	16305	12	1034 9	16339	12	1052.1
16106	12	933 3				16173	12	967 5	16306	12	1035 4			
16107	12	933 8	16140	12	950 7	16174	12	968 1	16307	12	1035 9	16340	12	1052.6
16108	12	934 3	16141	12	951 2	16175	12	968 6	16308	12	1036 4	16341	12	1053.2
16109	12	934 8	16142	12	951 7	16176	12	969 1	16309	12	1036 9	16342	12	1053.7
			16143	12	952 2	16177	12	969 6				16343	12	1054.2
16110	12	935 3	16144	12	952 7	16178	12	970 1	16310	12	1037.4	16344	12	1054.7
16111	12	935 8	16145	12	953 2	16179	12	970 6	16311	12	1037.9	16345	12	1055.2
16112	12	936 4	16146	12	953 7				16312	12	1038.4	16346	12	1055.7
16113	12	936 9	16147	12	954 2	16180	12	971 1	16313	12	1038 9	16347	12	1056.2
16114	12	937 4	16148	12	954 8	16181	12	971 6	16314	12	1039 4	16348	12	1056.7
16115	12	937 9	16149	12	955 3	16182	12	972 2	16315	12	1039 9	16349	12	1057.2
16116	12	938 4				16183	12	972 7	16316	12	1040 4			
16117	12	938 9	16150	12	955 8	16184	12	973 2	16317	12	1041 0	16350	12	1057.7
16118	12	939 4	16151	12	956 3	16185	12	973 7	16318	12	1041 5	16351	12	1058.2
16119	12	939 9	16152	12	956 8	16186	12	974 2	16319	12	1042 0	16352	12	1058.7
			16153	12	957 3	16187	12	974 7				16353	12	1059.3
16120	12	940 4	16154	12	957 8	16188	12	975 2	16320	12	1042 5	16354	12	1059.8
16121	12	941 0	16155	12	958 3	16189	12	975 7	16321	12	1043 0	16355	12	1060.3
16122	12	941 5	16156	12	958 8				16322	12	1043 5	16356	12	1060.8
16123	12	942 0	16157	12	959 4	16190	12	976 2	16323	12	1044 0	16357	12	1061.3
16124	12	942 5	16158	12	959 9	16191	12	976 8	16324	12	1044 5	16358	12	1061.8
16125	12	943 0	16159	12	960 4	16192	12	977 3	16325	12	1045 0	16359	12	1062.3
16126	12	943 5				16193	12	977 8	16326	12	1045 5			
16127	12	944 0	16160	12	960 9	16194	12	978 3	16327	12	1046 0	16360	12	1062.8
16128	12	944 5	16161	12	961 4	16195	12	978 8	16328	12	1046 5	16361	12	1063.3
16129	12	945 0	16162	12	961 9	16196	12	979 3	16329	12	1047 1	16362	12	1063.8
			16163	12	962 4	16197	12	979 8				16363	12	1064.3
16130	12	945 6	16164	12	962 9	16198	12	980 3	16330	12	1047 6	16364	12	1064.8
16131	12	946 1	16165	12	963 5	16199	12	980 8	16331	12	1048 1	16365	12	1065.3
16132	12	946 6	16166	12	964 0				16332	12	1048 6	16366	12	1065.8
16133	12	947 1	16167	12	964 5	16200	12	981.4	16333	12	1049 1	16367	12	1066.4

Use check point at 16300 Kc

SECTION V

AN 08-30 ART 13-3

TABLE 5-2. CALIBRATION OF RADIO TRANSMITTER
T-47A/ART-13 OR T-47/ART-13 WHEN MCW-CFI 8Q-2 UNIT
IS USED. (Continued)

Frequency: 16400-16500 Kc

Freq.	A	B	Freq.	A	B	Freq.	A	B
16400	12	1083.1	16434	12	1100.4	16468	12	1117.6
16401	12	1083.6	16435	12	1100.9	16469	12	1118.1
16402	12	1084.1	16436	12	1101.4			
16403	12	1084.7	16437	12	1101.9	16470	12	1118.6
16404	12	1085.2	16438	12	1102.4	16471	12	1119.1
16405	12	1085.7	16439	12	1102.9	16472	12	1119.7
16406	12	1086.2				16473	12	1120.2
16407	12	1086.7	16440	12	1103.4	16474	12	1120.7
16408	12	1087.2	16441	12	1103.9	16475	12	1121.2
16409	12	1087.7	16442	12	1104.5	16476	12	1121.7
			16443	12	1105.0	16477	12	1122.2
16410	12	1088.2	16444	12	1105.5	16478	12	1122.7
16411	12	1088.7	16445	12	1106.0	16479	12	1123.2
16412	12	1089.2	16446	12	1106.5			
16413	12	1089.7	16447	12	1107.0	16480	12	1123.7
16414	12	1090.2	16448	12	1107.5	16481	12	1124.2
16415	12	1090.7	16449	12	1108.0	16482	12	1124.7
16416	12	1091.3				16483	12	1125.2
16417	12	1091.8	16450	12	1108.5	16484	12	1125.7
16418	12	1092.3	16451	12	1109.0	16485	12	1126.2
16419	12	1092.8	16452	12	1109.5	16486	12	1126.7
			16453	12	1110.0	16487	12	1127.3
16420	12	1093.3	16454	12	1110.5	16488	12	1127.8
16421	12	1093.8	16455	12	1111.0	16489	12	1128.3
16422	12	1094.3	16456	12	1111.5			
16423	12	1094.8	16457	12	1112.1	16490	12	1128.8
16424	12	1095.3	16458	12	1112.6	16491	12	1129.3
16425	12	1095.8	16459	12	1113.1	16492	12	1129.8
16426	12	1096.3				16493	12	1130.3
16427	12	1096.8	16460	12	1113.6	16494	12	1130.8
16428	12	1097.3	16461	12	1114.1	16495	12	1131.3
16429	12	1097.9	16462	12	1114.6	16496	12	1131.8
			16463	12	1115.1	16497	12	1132.3
16430	12	1098.4	16464	12	1115.6	16498	12	1132.8
16431	12	1098.9	16465	12	1116.1	16499	12	1133.3
16432	12	1099.4	16466	12	1116.6			
16433	12	1099.9	16467	12	1117.1	16500	12	1133.8

Use check point at 16200 Kc

Frequency: 16600-16700 Kc

Freq.	A	B	Freq.	A	B	Freq.	A	B
16600	12	1184.4	16634	12	1201.5	16668	12	1218.8
16601	12	1184.9	16635	12	1202.1	16669	12	1219.3
16602	12	1185.4	16636	12	1202.6			
16603	12	1185.9	16637	12	1203.1	16670	12	1219.8
16604	12	1186.4	16638	12	1203.6	16671	12	1220.3
16605	12	1186.9	16639	12	1204.1	16672	12	1220.8
16606	12	1187.4				16673	12	1221.3
16607	12	1187.9	16640	12	1204.6	16674	12	1221.9
16608	12	1188.4	16641	12	1205.1	16675	12	1222.4
16609	12	1188.9	16642	12	1205.6	16676	12	1222.9
			16643	12	1206.1	16677	12	1223.4
16610	12	1189.4	16644	12	1206.6	16678	12	1223.9
16611	12	1189.9	16645	12	1207.1	16679	12	1224.4
16612	12	1190.4	16646	12	1207.6			
16613	12	1190.9	16647	12	1208.1	16680	12	1224.9
16614	12	1191.4	16648	12	1208.7	16681	12	1225.4
16615	12	1191.9	16649	12	1209.2	16682	12	1225.9
16616	12	1192.4				16683	12	1226.4
16617	12	1192.9	16650	12	1209.7	16684	12	1226.9
16618	12	1193.4	16651	12	1210.2	16685	12	1227.4
16619	12	1193.9	16652	12	1210.7	16686	12	1227.9
			16653	12	1211.2	16687	12	1228.4
16620	12	1194.4	16654	12	1211.7	16688	12	1228.9
16621	12	1194.9	16655	12	1212.2	16689	12	1229.4
16622	12	1195.5	16656	12	1212.7			
16623	12	1196.0	16657	12	1213.2	16690	12	1229.9
16624	12	1196.5	16658	12	1213.7	16691	12	1230.4
16625	12	1197.0	16659	12	1214.2	16692	12	1230.9
16626	12	1197.5				16693	12	1231.4
16627	12	1198.0	16660	12	1214.7	16694	12	1231.9
16628	12	1198.5	16661	12	1215.3	16695	12	1232.5
16629	12	1199.0	16662	12	1215.8	16696	12	1233.0
			16663	12	1216.3	16697	12	1233.5
16630	12	1199.5	16664	12	1216.8	16698	12	1234.0
16631	12	1200.0	16665	12	1217.3	16699	12	1234.5
16632	12	1200.5	16666	12	1217.8			
16633	12	1201.0	16667	12	1218.3	16700	12	1235.0

Use check point at 16800 Kc

Frequency: 16500-16600 Kc

Freq.	A	B	Freq.	A	B	Freq.	A	B
16500	12	1133.8	16534	12	1151.1	16568	12	1168.2
16501	12	1134.3	16535	12	1151.6	16569	12	1168.8
16502	12	1134.9	16536	12	1152.1			
16503	12	1135.4	16537	12	1152.6	16570	12	1169.3
16504	12	1135.9	16538	12	1153.1	16571	12	1169.8
16505	12	1136.4	16539	12	1153.6	16572	12	1170.3
16506	12	1136.9				16573	12	1170.8
16507	12	1137.4	16540	12	1154.1	16574	12	1171.3
16508	12	1137.9	16541	12	1154.6	16575	12	1171.8
16509	12	1138.4	16542	12	1155.1	16576	12	1172.3
			16543	12	1155.6	16577	12	1172.8
16510	12	1138.9	16544	12	1156.1	16578	12	1173.3
16511	12	1139.4	16545	12	1156.6	16579	12	1173.8
16512	12	1139.9	16546	12	1157.1			
16513	12	1140.4	16547	12	1157.6	16580	12	1174.3
16514	12	1140.9	16548	12	1158.1	16581	12	1174.8
16515	12	1141.4	16549	12	1158.7	16582	12	1175.3
16516	12	1141.9				16583	12	1175.8
16517	12	1142.4	16550	12	1159.2	16584	12	1176.3
16518	12	1143.0	16551	12	1159.7	16585	12	1176.8
16519	12	1143.5	16552	12	1160.2	16586	12	1177.3
			16553	12	1160.7	16587	12	1177.8
16520	12	1144.0	16554	12	1161.2	16588	12	1178.3
16521	12	1144.5	16555	12	1161.7	16589	12	1178.8
16522	12	1145.0	16556	12	1162.2			
16523	12	1145.5	16557	12	1162.7	16590	12	1179.3
16524	12	1146.0	16558	12	1163.2	16591	12	1179.8
16525	12	1146.5	16559	12	1163.7	16592	12	1180.3
16526	12	1147.0				16593	12	1180.8
16527	12	1147.5	16560	12	1164.2	16594	12	1181.3
16528	12	1148.0	16561	12	1164.7	16595	12	1181.8
16529	12	1148.5	16562	12	1165.2	16596	12	1182.4
			16563	12	1165.7	16597	12	1182.9
16530	12	1149.0	16564	12	1166.2	16598	12	1183.4
16531	12	1149.5	16565	12	1166.7	16599	12	1183.9
16532	12	1150.0	16566	12	1167.2			
16533	12	1150.5	16567	12	1167.7	16600	12	1184.4

Use check point at 16800 Kc

Frequency: 16700-16800 Kc

Freq.	A	B	Freq.	A	B	Freq.	A	B
16700	12	1235.0	16734	12	1252.1	16768	12	1269.2
16701	12	1235.5	16735	12	1252.6	16769	12	1269.7
16702	12	1236.0	16736	12	1253.1			
16703	12	1236.5	16737	12	1253.6	16770	12	1270.2
16704	12	1237.0	16738	12	1254.1	16771	12	1270.7
16705	12	1237.5	16739	12	1254.6	16772	12	1271.2
16706	12	1238.0				16773	12	1271.7
16707	12	1238.5	16740	12	1255.1	16774	12	1272.2
16708	12	1239.0	16741	12	1255.6	16775	12	1272.7
16709	12	1239.5	16742	12	1256.1	16776	12	1273.2
			16743	12	1256.6	16777	12	1273.7
16710	12	1240.0	16744	12	1257.1	16778	12	1274.2
16711	12	1240.5	16745	12	1257.6	16779	12	1274.7
16712	12	1241.0	16746	12	1258.1			
16713	12	1241.5	16747	12	1258.6	16780	12	1275.2
16714	12	1242.0	16748	12	1259.1	16781	12	1275.7
16715	12	1242.5	16749	12	1259.6	16782	12	1276.2
16716	12	1243.0				16783	12	1276.7
16717	12	1243.5	16750	12	1260.1	16784	12	1277.2
16718	12	1244.0	16751	12	1260.6	16785	12	1277.7
16719	12	1244.5	16752	12	1261.1	16786	12	1278.2
			16753	12	1261.6	16787	12	1278.7
16720	12	1245.0	16754	12	1262.1	16788	12	1279.2
16721	12	1245.5	16755	12	1262.7	16789	12	1279.7
16722	12							

AN 08-30 ART 13-3

**TABLE 5-2. CALIBRATION OF RADIO TRANSMITTER
T-47A/ART-13 OR T-47/ART-13 WHEN MCW-CFI 8Q-2 UNIT
IS USED. (Continued)**

Frequency: 16800-16900 Kc						Frequency: 17000-17100 Kc								
Freq.	A	B	Freq.	A	B	Freq.	A	B	Freq.	A	B	Freq.	A	B
16800	12	1285.3	16834	12	1302.5	16868	12	1319.7	17000	12	1386.4	17034	12	1403.6
16801	12	1285.8	16835	12	1303.0	16869	12	1320.2	17001	12	1386.9	17035	12	1404.1
16802	12	1286.3	16836	12	1303.5				17002	12	1387.4	17036	12	1404.6
16803	12	1286.8	16837	12	1304.0	16870	12	1320.7	17003	12	1387.9	17037	12	1405.1
16804	12	1287.3	16838	12	1304.5	16871	12	1321.2	17004	12	1388.4	17038	12	1405.6
16805	12	1287.8	16839	12	1305.0	16872	12	1321.7	17005	12	1388.9	17039	12	1406.1
16806	12	1288.3				16873	12	1322.2	17006	12	1389.4			
16807	12	1288.8	16840	12	1305.5	16874	12	1322.7	17007	12	1389.9	17040	12	1406.6
16808	12	1289.3	16841	12	1306.0	16875	12	1323.2	17008	12	1390.4	17041	12	1407.1
16809	12	1289.8	16842	12	1306.5	16876	12	1323.7	17009	12	1390.9	17042	12	1407.6
			16843	12	1307.0	16877	12	1324.2				17043	12	1408.1
16810	12	1290.4	16844	12	1307.5	16878	12	1324.7	17010	12	1391.4	17044	12	1408.6
16811	12	1290.9	16845	12	1308.0	16879	12	1325.2	17011	12	1391.9	17045	12	1409.1
16812	12	1291.4	16846	12	1308.5				17012	12	1392.4	17046	12	1409.6
16813	12	1291.9	16847	12	1309.0	16880	12	1325.7	17013	12	1392.9	17047	12	1410.1
16814	12	1292.4	16848	12	1309.5	16881	12	1326.2	17014	12	1393.4	17048	12	1410.6
16815	12	1292.9	16849	12	1310.0	16882	12	1326.7	17015	12	1393.9	17049	12	1411.1
16816	12	1293.4				16883	12	1327.2	17016	12	1394.4			
16817	12	1293.9	16850	12	1310.5	16884	12	1327.7	17017	12	1394.9	17050	12	1411.6
16818	12	1294.4	16851	12	1311.0	16885	12	1328.2	17018	12	1395.4	17051	12	1412.1
16819	12	1294.9	16852	12	1311.5	16886	12	1328.7	17019	12	1395.9	17052	12	1412.6
			16853	12	1312.0	16887	12	1329.2				17053	12	1413.1
16820	12	1295.4	16854	12	1312.5	16888	12	1329.7	17020	12	1396.4	17054	12	1413.6
16821	12	1295.9	16855	12	1313.0	16889	12	1330.2	17021	12	1396.9	17055	12	1414.1
16822	12	1296.4	16856	12	1313.5				17022	12	1397.4	17056	12	1414.6
16823	12	1296.9	16857	12	1314.0	16890	12	1330.7	17023	12	1397.9	17057	12	1415.1
16824	12	1297.4	16858	12	1314.5	16891	12	1331.2	17024	12	1398.4	17058	12	1415.6
16825	12	1297.9	16859	12	1315.0	16892	12	1331.7	17025	12	1398.9	17059	12	1416.1
16826	12	1298.4				16893	12	1332.2	17026	12	1399.4			
16827	12	1298.9	16860	12	1315.5	16894	12	1332.7	17027	12	1400.0	17060	12	1416.7
16828	12	1299.4	16861	12	1316.0	16895	12	1333.2	17028	12	1400.5	17061	12	1417.2
16829	12	1300.0	16862	12	1316.5	16896	12	1333.7	17029	12	1401.0	17062	12	1417.7
			16863	12	1317.0	16897	12	1334.2				17063	12	1418.2
16830	12	1300.5	16864	12	1317.5	16898	12	1334.7	17030	12	1401.5	17064	12	1418.7
16831	12	1301.0	16865	12	1318.0	16899	12	1335.2	17031	12	1402.0	17065	12	1419.2
16832	12	1301.5	16866	12	1318.5				17032	12	1402.5	17066	12	1419.7
16833	12	1302.0	16867	12	1319.0	16900	12	1335.7	17033	12	1403.0	17067	12	1420.2

Use check point at 16800 Kc

Frequency: 16900-17000 Kc						Frequency: 17100-17200 Kc								
Freq.	A	B	Freq.	A	B	Freq.	A	B	Freq.	A	B	Freq.	A	B
16900	12	1335.9	16934	12	1353.0	16968	12	1370.2	17100	12	1437.1	17134	12	1454.4
16901	12	1336.4	16935	12	1353.5	16969	12	1370.7	17101	12	1437.6	17135	12	1454.9
16902	12	1336.9	16936	12	1354.0				17102	12	1438.1	17136	12	1455.4
16903	12	1337.4	16937	12	1354.5	16970	12	1371.2	17103	12	1438.6	17137	12	1455.9
16904	12	1337.9	16938	12	1355.0	16971	12	1371.7	17104	12	1439.1	17138	12	1456.4
16905	12	1338.4	16939	12	1355.5	16972	12	1372.2	17105	12	1439.6	17139	12	1456.9
16906	12	1338.9				16973	12	1372.7	17106	12	1440.1			
16907	12	1339.4	16940	12	1356.0	16974	12	1373.2	17107	12	1440.6	17140	12	1457.4
16908	12	1339.9	16941	12	1356.5	16975	12	1373.7	17108	12	1441.1	17141	12	1457.9
16909	12	1340.4	16942	12	1357.0	16976	12	1374.2	17109	12	1441.6	17142	12	1458.4
			16943	12	1357.5	16977	12	1374.7				17143	12	1458.9
16910	12	1340.9	16944	12	1358.0	16978	12	1375.2	17110	12	1442.1	17144	12	1459.4
16911	12	1341.4	16945	12	1358.5	16979	12	1375.7	17111	12	1442.6	17145	12	1459.9
16912	12	1341.9	16946	12	1359.0				17112	12	1443.1	17146	12	1460.4
16913	12	1342.4	16947	12	1359.5	16980	12	1376.2	17113	12	1443.6	17147	12	1460.9
16914	12	1342.9	16948	12	1360.0	16981	12	1376.7	17114	12	1444.1	17148	12	1461.4
16915	12	1343.4	16949	12	1360.5	16982	12	1377.2	17115	12	1444.6	17149	12	1461.9
16916	12	1343.9				16983	12	1377.7	17116	12	1445.1			
16917	12	1344.4	16950	12	1361.0	16984	12	1378.2	17117	12	1445.6	17150	12	1462.4
16918	12	1344.9	16951	12	1361.5	16985	12	1378.7	17118	12	1446.1	17151	12	1462.9
16919	12	1345.4	16952	12	1362.0	16986	12	1379.2	17119	12	1446.6	17152	12	1463.4
			16953	12	1362.5	16987	12	1379.7				17153	12	1463.9
16920	12	1346.0	16954	12	1363.0	16988	12	1380.2	17120	12	1447.1	17154	12	1464.4
16921	12	1346.5	16955	12	1363.5	16989	12	1380.7	17121	12	1447.6	17155	12	1464.9
16922	12	1347.0	16956	12	1364.0				17122	12	1448.1	17156	12	1465.4
16923	12	1347.5	16957	12	1364.5	16990	12	1381.2	17123	12	1448.6	17157	12	1465.9
16924	12	1348.0	16958	12	1365.0	16991	12	1381.7	17124	12	1449.1	17158	12	1466.4
16925	12	1348.5	16959	12	1365.5	16992	12	1382.2	17125	12	1449.6	17159	12	1466.9
16926	12	1349.0				16993	12	1382.7	17126	12	1450.1			
16927	12	1349.5	16960	12	1366.0	16994	12	1383.2	17127	12	1450.6	17160	12	1467.4
16928	12	1350.0	16961	12	1366.5	16995	12	1383.7	17128	12	1451.1	17161	12	1467.9
16929	12	1350.5	16962	12	1367.0	16996	12	1384.2	17129	12	1451.6	17162	12	1468.4
			16963	12	1367.5	16997	12	1384.7				17163	12	1468.9
16930	12	1351.0	16964	12	1368.0	16998	12	1385.2	17130	12	1452.1	17164	12	1469.4
16931	12	1351.5	16965	12	1368.5	16999	12	1385.7	17131	12	1452.6	17165	12	1470.0
16932	12	1352.0	16966	12	1369.0				17132	12	1453.1	17166	12	1470.5
16933	12	1352.5	16967	12	1369.5	17000	12	1386.4	17133	12	1453.6	17167	12	1471.0

Use check point at 16800 Kc

SECTION V

AN 08-30 ART 13-3

**TABLE 5-2. CALIBRATION OF RADIO TRANSMITTER
T-47A/ART-13 OR T-47/ART-13 WHEN MCW-CFI 8Q-2 UNIT
IS USED. (Continued)**

Frequency: 17200-17300 Kc

Freq.	A	B	Freq.	A	B	Freq.	A	B
17200	12	1487.9	17234	12	1505.2	17268	12	1522.5
17201	12	1488.4	17235	12	1505.7	17269	12	1523.1
17202	12	1488.9	17236	12	1506.2			
17203	12	1489.4	17237	12	1506.7	17270	12	1523.6
17204	12	1489.9	17238	12	1507.2	17271	12	1524.1
17205	12	1490.4	17239	12	1507.7	17272	12	1524.6
17206	12	1490.9				17273	12	1525.1
17207	12	1491.4	17240	12	1508.2	17274	12	1525.6
17208	12	1491.9	17241	12	1508.8	17275	12	1526.1
17209	12	1492.5	17242	12	1509.3	17276	12	1526.6
			17243	12	1509.8	17277	12	1527.1
17210	12	1493.0	17244	12	1510.3	17278	12	1527.7
17211	12	1493.5	17245	12	1510.8	17279	12	1528.2
17212	12	1494.0	17246	12	1511.3			
17213	12	1494.5	17247	12	1511.8	17280	12	1528.7
17214	12	1495.0	17248	12	1512.3	17281	12	1529.2
17215	12	1495.5	17249	12	1512.8	17282	12	1529.7
17216	12	1496.0				17283	12	1530.2
17217	12	1496.5	17250	12	1513.4	17284	12	1530.7
17218	12	1497.0	17251	12	1513.9	17285	12	1531.2
17219	12	1497.5	17252	12	1514.4	17286	12	1531.7
			17253	12	1514.9	17287	12	1532.2
17220	12	1498.0	17254	12	1515.4	17288	12	1532.8
17221	12	1498.5	17255	12	1515.9	17289	12	1533.3
17222	12	1499.0	17256	12	1516.4			
17223	12	1499.5	17257	12	1516.9	17290	12	1533.8
17224	12	1500.1	17258	12	1517.4	17291	12	1534.3
17225	12	1500.6	17259	12	1517.9	17292	12	1534.8
17226	12	1501.1				17293	12	1535.3
17227	12	1501.6	17260	12	1518.5	17294	12	1535.8
17228	12	1502.1	17261	12	1519.0	17295	12	1536.3
17229	12	1502.6	17262	12	1519.5	17296	12	1536.8
			17263	12	1520.0	17297	12	1537.4
17230	12	1503.1	17264	12	1520.5	17298	12	1537.9
17231	12	1503.6	17265	12	1521.0	17299	12	1538.4
17232	12	1504.2	17266	12	1521.5			
17233	12	1504.7	17267	12	1522.0	17300	12	1538.9

Use check point at 17400 Kc

Frequency: 17400-17500 Kc

Freq.	A	B	Freq.	A	B	Freq.	A	B
17400	12	1590.1	17434	12	1607.6	17468	12	1625.2
17401	12	1590.6	17435	12	1608.2	17469	12	1625.7
17402	12	1591.1	17436	12	1608.7			
17403	12	1591.6	17437	12	1609.2	17470	12	1626.3
17404	12	1592.1	17438	12	1609.7	17471	12	1626.8
17405	12	1592.7	17439	12	1610.2	17472	12	1627.3
17406	12	1593.2				17473	12	1627.8
17407	12	1593.7	17440	12	1610.7	17474	12	1628.3
17408	12	1594.2	17441	12	1611.2	17475	12	1628.9
17409	12	1594.7	17442	12	1611.8	17476	12	1629.4
			17443	12	1612.3	17477	12	1629.9
17410	12	1595.2	17444	12	1612.8	17478	12	1630.4
17411	12	1595.8	17445	12	1613.3	17479	12	1630.9
17412	12	1596.3	17446	12	1613.8			
17413	12	1596.8	17447	12	1614.3	17480	12	1631.5
17414	12	1597.3	17448	12	1614.9	17481	12	1632.0
17415	12	1597.8	17449	12	1615.4	17482	12	1632.5
17416	12	1598.3				17483	12	1633.0
17417	12	1598.8	17450	12	1615.9	17484	12	1633.5
17418	12	1599.4	17451	12	1616.4	17485	12	1634.1
17419	12	1599.9	17452	12	1616.9	17486	12	1634.6
			17453	12	1617.4	17487	12	1635.1
17420	12	1600.4	17454	12	1618.0	17488	12	1635.6
17421	12	1600.9	17455	12	1618.5	17489	12	1636.1
17422	12	1601.4	17456	12	1619.0			
17423	12	1602.0	17457	12	1619.5	17490	12	1636.7
17424	12	1602.5	17458	12	1620.0	17491	12	1637.2
17425	12	1603.0	17459	12	1620.5	17492	12	1637.7
17426	12	1603.5				17493	12	1638.2
17427	12	1604.0	17460	12	1621.1	17494	12	1638.7
17428	12	1604.5	17461	12	1621.6	17495	12	1639.3
17429	12	1605.1	17462	12	1622.1	17496	12	1639.8
			17463	12	1622.6	17497	12	1640.3
17430	12	1605.6	17464	12	1623.1	17498	12	1640.8
17431	12	1606.1	17465	12	1623.7	17499	12	1641.3
17432	12	1606.6	17466	12	1624.2			
17433	12	1607.1	17467	12	1624.7	17500	12	1641.8

Use check point at 17400 Kc

Frequency: 17300-17400 Kc

Freq.	A	B	Freq.	A	B	Freq.	A	B
17300	12	1538.9	17334	12	1556.2	17368	12	1573.7
17301	12	1539.4	17335	12	1556.7	17369	12	1574.2
17302	12	1539.9	17336	12	1557.2			
17303	12	1540.4	17337	12	1557.8	17370	12	1574.7
17304	12	1540.9	17338	12	1558.3	17371	12	1575.2
17305	12	1541.4	17339	12	1558.8	17372	12	1575.7
17306	12	1541.9				17373	12	1576.2
17307	12	1542.5	17340	12	1559.3	17374	12	1576.7
17308	12	1543.0	17341	12	1559.8	17375	12	1577.2
17309	12	1543.5	17342	12	1560.3	17376	12	1577.8
			17343	12	1560.8	17377	12	1578.3
17310	12	1544.0	17344	12	1561.3	17378	12	1578.8
17311	12	1544.5	17345	12	1561.8	17379	12	1579.3
17312	12	1545.0	17346	12	1562.4			
17313	12	1545.5	17347	12	1562.9	17380	12	1579.8
17314	12	1546.0	17348	12	1563.4	17381	12	1580.3
17315	12	1546.5	17349	12	1563.9	17382	12	1580.8
17316	12	1547.0				17383	12	1581.4
17317	12	1547.5	17350	12	1564.4	17384	12	1581.9
17318	12	1548.1	17351	12	1564.9	17385	12	1582.4
17319	12	1548.6	17352	12	1565.4	17386	12	1582.9
			17353	12	1566.0	17387	12	1583.4
17320	12	1549.1	17354	12	1566.5	17388	12	1583.9
17321	12	1549.6	17355	12	1567.0	17389	12	1584.4
17322	12	1550.1	17356	12	1567.5			
17323	12	1550.6	17357	12	1568.0	17390	12	1584.9
17324	12	1551.1	17358	12	1568.5	17391	12	1585.5
17325	12	1551.6	17359	12	1569.0	17392	12	1586.0
17326	12	1552.1				17393	12	1586.5
17327	12	1552.7	17360	12	1569.5	17394	12	1587.0
17328	12	1553.2	17361	12	1570.1	17395	12	1587.5
17329	12	1553.7	17362	12	1570.6	17396	12	1588.0
			17363	12	1571.1	17397	12	1588.5
17330	12	1554.2	17364	12	1571.6	17398	12	1589.1
17331	12	1554.7	17365	12	1572.1	17399	12	1589.6
17332	12	1555.2	17366	12	1572.6			
17333	12	1555.7	17367	12	1573.1	17400	12	1590.1

Use check point at 17400 Kc

Frequency: 17500-17600 Kc

Freq.	A	B	Freq.	A	B	Freq.	A	B
17500	12	1641.9	17534	12	1659.6	17568	12	1677.3
17501	12	1642.4	17535	12	1660.1	17569	12	1677.8
17502	12	1642.9	17536	12	1660.6			
17503	12	1643.4	17537	12	1661.1	17570	12	1678.3
17504	12	1643.9	17538	12	1661.7	17571	12	1678.9
17505	12	1644.5	17539	12	1662.2	17572	12	1679.4
17506	12	1645.0				17573	12	1679.9
17507	12	1645.5	17540	12	1662.7	17574	12	1680.4
17508	12	1646.0	17541	12	1663.2	17575	12	1681.0
17509	12	1646.5	17542	12	1663.7	17576	12	1681.5
			17543	12	1664.3	17577	12	1682.0
17510	12	1647.1	17544	12	1664.8	17578	12	1682.5
17511	12	1647.6	17545	12	1665.3	17579	12	1683.0
17512	12	1648.1	17546	12	1665.8			
17513	12	1648.6	17547	12	1666.3	17580	12	1683.6
17514	12	1649.1	17548	12	1666.9	17581	12	1684.1
17515	12	1649.7	17549	12	1667.4	17582	12	1684.6
17516	12	1650.2				17583	12	1685.1
17517	12	1650.7	17550	12	1667.9	17584	12	1685.7
17518	12	1651.2	17551	12	1668.4	17585	12	1686.2
17519	12	1651.7	17552	12	1669.0	17586	12	1686.7
			17553	12	1669.5	17587	12	1687.2
17520	12	1652.3	17554	12	1670.0	17588	12	1687.8
17521	12	1652.8	17555	12	1670.5	17589	12	1688.3
17522	12</							

AN 08-30 ART 13-3

**TABLE 5-2. CALIBRATION OF RADIO TRANSMITTER
T-47A/ART-13 OR T-47/ART-13 WHEN MCW-CFI 8Q-2 UNIT
IS USED. (Continued)**

Frequency: 17400-17700 Kc

Freq.	A	B	Freq.	A	B	Freq.	A	B
17600	12	1694.1	17634	12	1712.0	17668	12	1729.9
17601	12	1694.6	17635	12	1712.5	17669	12	1730.4
17602	12	1695.1	17636	12	1713.0			
17603	12	1695.7	17637	12	1713.5	17670	12	1731.0
17604	12	1696.2	17638	12	1714.1	17671	12	1731.5
17605	12	1696.7	17639	12	1714.6	17672	12	1732.0
17606	12	1697.2				17673	12	1732.5
17607	12	1697.8	17640	12	1715.1	17674	12	1733.1
17608	12	1698.3	17641	12	1715.6	17675	12	1733.6
17609	12	1698.8	17642	12	1716.2	17676	12	1734.1
			17643	12	1716.7	17677	12	1734.7
17610	12	1699.3	17644	12	1717.2	17678	12	1735.2
17611	12	1699.9	17645	12	1717.8	17679	12	1735.7
17612	12	1700.4	17646	12	1718.3			
17613	12	1700.9	17647	12	1718.8	17680	12	1736.2
17614	12	1701.4	17648	12	1719.3	17681	12	1736.8
17615	12	1702.0	17649	12	1719.9	17682	12	1737.3
17616	12	1702.5				17683	12	1737.8
17617	12	1703.0	17650	12	1720.4	17684	12	1738.4
17618	12	1703.5	17651	12	1720.9	17685	12	1738.9
17619	12	1704.1	17652	12	1721.5	17686	12	1739.4
			17653	12	1722.0	17687	12	1739.9
17620	12	1704.6	17654	12	1722.5	17688	12	1740.5
17621	12	1705.1	17655	12	1723.0	17689	12	1741.0
17622	12	1705.7	17656	12	1723.6			
17623	12	1706.2	17657	12	1724.1	17690	12	1741.5
17624	12	1706.7	17658	12	1724.6	17691	12	1742.0
17625	12	1707.2	17659	12	1725.2	17692	12	1742.6
17626	12	1707.8				17693	12	1743.1
17627	12	1708.3	17660	12	1725.7	17694	12	1743.6
17628	12	1708.8	17661	12	1726.2	17695	12	1744.1
17629	12	1709.3	17662	12	1726.7	17696	12	1744.6
			17663	12	1727.3	17697	12	1745.2
17630	12	1709.9	17664	12	1727.8	17698	12	1745.7
17631	12	1710.4	17665	12	1728.3	17699	12	1746.3
17632	12	1710.9	17666	12	1728.8			
17633	12	1711.4	17667	12	1729.4	17700	12	1746.8

Use check point at 17400 Kc

Frequency: 17800-17900 Kc

Freq.	A	B	Freq.	A	B	Freq.	A	B
17800	12	1800.4	17834	12	1818.8	17868	12	1837.2
17801	12	1801.0	17835	12	1819.3	17869	12	1837.7
17802	12	1801.5	17836	12	1819.8			
17803	12	1802.0	17837	12	1820.4	17870	12	1838.3
17804	12	1802.6	17838	12	1820.9	17871	12	1838.8
17805	12	1803.1	17839	12	1821.5	17872	12	1839.3
17806	12	1803.6				17873	12	1839.9
17807	12	1804.2	17840	12	1822.0	17874	12	1840.4
17808	12	1804.7	17841	12	1822.6	17875	12	1841.0
17809	12	1805.3	17842	12	1823.1	17876	12	1841.5
			17843	12	1823.6	17877	12	1842.1
17810	12	1805.8	17844	12	1824.2	17878	12	1842.6
17811	12	1806.3	17845	12	1824.7	17879	12	1843.1
17812	12	1806.9	17846	12	1825.3			
17813	12	1807.4	17847	12	1825.8	17880	12	1843.7
17814	12	1808.0	17848	12	1826.3	17881	12	1844.2
17815	12	1808.5	17849	12	1826.9	17882	12	1844.8
17816	12	1809.0				17883	12	1845.3
17817	12	1809.6	17850	12	1827.4	17884	12	1845.9
17818	12	1810.1	17851	12	1828.0	17885	12	1846.4
17819	12	1810.6	17852	12	1828.5	17886	12	1847.0
			17853	12	1829.1	17887	12	1847.5
17820	12	1811.2	17854	12	1829.6	17888	12	1848.1
17821	12	1811.7	17855	12	1830.1	17889	12	1848.6
17822	12	1812.3	17856	12	1830.7			
17823	12	1812.8	17857	12	1831.2	17890	12	1849.2
17824	12	1813.3	17858	12	1831.8	17891	12	1849.7
17825	12	1813.9	17859	12	1832.3	17892	12	1850.3
17826	12	1814.4				17893	12	1850.8
17827	12	1815.0	17860	12	1832.8	17894	12	1851.4
17828	12	1815.5	17861	12	1833.4	17895	12	1852.0
17829	12	1816.1	17862	12	1833.9	17896	12	1852.5
			17863	12	1834.5	17897	12	1853.1
17830	12	1816.6	17864	12	1835.0	17898	12	1853.6
17831	12	1817.1	17865	12	1835.6	17899	12	1854.2
17832	12	1817.7	17866	12	1836.1			
17833	12	1818.2	17867	12	1836.6	17900	12	1854.7

Use check point at 18000 Kc

Frequency: 17700-17800 Kc

Freq.	A	B	Freq.	A	B	Freq.	A	B
17700	12	1746.8	17734	12	1765.0	17768	12	1783.2
17701	12	1747.3	17735	12	1765.5	17769	12	1783.7
17702	12	1747.9	17736	12	1766.0			
17703	12	1748.4	17737	12	1766.6	17770	12	1784.3
17704	12	1748.9	17738	12	1767.1	17771	12	1784.8
17705	12	1749.5	17739	12	1767.7	17772	12	1785.3
17706	12	1750.0				17773	12	1785.9
17707	12	1750.5	17740	12	1768.2	17774	12	1786.4
17708	12	1751.1	17741	12	1768.7	17775	12	1787.0
17709	12	1751.6	17742	12	1769.3	17776	12	1787.5
			17743	12	1769.8	17777	12	1788.0
17710	12	1752.1	17744	12	1770.3	17778	12	1788.6
17711	12	1752.7	17745	12	1770.9	17779	12	1789.1
17712	12	1753.2	17746	12	1771.4			
17713	12	1753.8	17747	12	1771.9	17780	12	1789.6
17714	12	1754.3	17748	12	1772.5	17781	12	1790.2
17715	12	1754.8	17749	12	1773.0	17782	12	1790.7
17716	12	1755.4				17783	12	1791.3
17717	12	1755.9	17750	12	1773.5	17784	12	1791.8
17718	12	1756.4	17751	12	1774.1	17785	12	1792.3
17719	12	1757.0	17752	12	1774.6	17786	12	1792.9
			17753	12	1775.1	17787	12	1793.4
17720	12	1757.5	17754	12	1775.7	17788	12	1794.0
17721	12	1758.0	17755	12	1776.2	17789	12	1794.5
17722	12	1758.6	17756	12	1776.7			
17723	12	1759.1	17757	12	1777.3	17790	12	1795.0
17724	12	1759.6	17758	12	1777.8	17791	12	1795.6
17725	12	1760.2	17759	12	1778.3	17792	12	1796.1
17726	12	1760.7				17793	12	1796.6
17727	12	1761.2	17760	12	1778.9	17794	12	1797.2
17728	12	1761.8	17761	12	1779.4	17795	12	1797.7
17729	12	1762.3	17762	12	1780.0	17796	12	1798.3
			17763	12	1780.5	17797	12	1798.8
17730	12	1762.8	17764	12	1781.0	17798	12	1799.3
17731	12	1763.4	17765	12	1781.6	17799	12	1799.9
17732	12	1763.9	17766	12	1782.1			
17733	12	1764.4	17767	12	1782.6	17800	12	1800.4

Use check point at 18000 Kc

Frequency: 17900-18000 Kc

Freq.	A	B	Freq.	A	B	Freq.	A	B
17900	12	1854.7	17934	12	1873.5	17968	12	1892.3
17901	12	1855.3	17935	12	1874.0	17969	12	1892.8
17902	12	1855.8	17936	12	1874.6			
17903	12	1856.4	17937	12	1875.1	17970	12	1893.4
17904	12	1856.9	17938	12	1875.7	17971	12	1893.9
17905	12	1857.5	17939	12	1876.2	17972	12	1894.5
17906	12	1858.0				17973	12	1895.0
17907	12	1858.6	17940	12	1876.8	17974	12	1895.6
17908	12	1859.1	17941	12	1877.3	17975	12	1896.2
17909	12	1859.7	17942	12	1877.9	17976	12	1896.7
			17943	12	1878.4	17977	12	1897.3
17910	12	1860.2	17944	12	1879.0	17978	12	1897.8
17911	12	1860.8	17945	12	1879.5	17979	12	1898.4
17912	12	1861.3	17946	12	1880.1			
17913	12	1861.9	17947	12	1880.6	17980	12	1898.9
17914	12	1862.4	17948	12	1881.2	17981	12	1899.5
17915	12	1863.0	17949	12	1881.7	17982	12	1900.0
17916	12	1863.5				17983	12	1900.6
17917	12	1864.1	17950	12	1882.3	17984	12	1901.1
17918	12	1864.6	17951	12	1882.9	17985	12	1901.7
17919	12	1865.2	17952	12	1883.4	17986	12	1902.2
			17953	12	1884.0	17987	12	1902.8
17920	12	1865.7	17954	12	1884.5	17988	12	1903.4
17921	12	1866.3	17955	12	1885.1	17989	12	1903.9
17922	12							

SECTION V

AN 08-30 ART 13-3

**TABLE 5-2. CALIBRATION OF RADIO TRANSMITTER
T-47A/ART-13 OR T-47/ART-13 WHEN MCW-CFI 8Q-2 UNIT
IS USED. (Continued)**

Frequency: 18000-18100 Kc

<i>Freq.</i>	<i>A</i>	<i>B</i>	<i>Freq.</i>	<i>A</i>	<i>B</i>	<i>Freq.</i>	<i>A</i>	<i>B</i>
18000	12	1910.0	18034	12	1929.1	18068	12	1948.3
18001	12	1910.6	18035	12	1929.7	18069	12	1948.8
18002	12	1911.1	18036	12	1930.2			
18003	12	1911.7	18037	12	1930.8	18070	12	1949.4
18004	12	1912.2	18038	12	1931.4	18071	12	1950.0
18005	12	1912.8	18039	12	1931.9	18072	12	1950.5
18006	12	1913.4				18073	12	1951.1
18007	12	1913.9	18040	12	1932.5	18074	12	1951.7
18008	12	1914.5	18041	12	1933.0	18075	12	1952.3
18009	12	1915.1	18042	12	1933.6	18076	12	1952.8
			18043	12	1934.2	18077	12	1953.4
18010	12	1915.6	18044	12	1934.7	18078	12	1954.0
18011	12	1916.2	18045	12	1935.3	18079	12	1954.5
18012	12	1916.7	18046	12	1935.9			
18013	12	1917.3	18047	12	1936.4	18080	12	1955.1
18014	12	1917.9	18048	12	1937.0	18081	12	1955.7
18015	12	1918.4	18049	12	1937.5	18082	12	1956.2
18016	12	1919.0				18083	12	1956.8
18017	12	1919.6	18050	12	1938.1	18084	12	1957.4
18018	12	1920.1	18051	12	1938.7	18085	12	1957.9
18019	12	1920.7	18052	12	1939.2	18086	12	1958.5
			18053	12	1939.8	18087	12	1959.1
18020	12	1921.2	18054	12	1940.3	18088	12	1959.7
18021	12	1921.8	18055	12	1940.9	18089	12	1960.2
18022	12	1922.4	18056	12	1941.5			
18023	12	1922.9	18057	12	1942.0	18090	12	1960.8
18024	12	1923.5	18058	12	1942.6	18091	12	1961.4
18025	12	1924.1	18059	12	1943.2	18092	12	1961.9
18026	12	1924.6				18093	12	1962.5
18027	12	1925.2	18060	12	1943.7	18094	12	1963.1
18028	12	1925.7	18061	12	1944.3	18095	12	1963.6
18029	12	1926.3	18062	12	1944.9	18096	12	1964.2
			18063	12	1945.4	18097	12	1964.8
18030	12	1926.9	18064	12	1946.0	18098	12	1965.3
18031	12	1927.4	18065	12	1946.6	18099	12	1965.9
18032	12	1928.0	18066	12	1947.1			
18033	12	1928.5	18067	12	1947.7	18100	12	1966.5

Use check point at 18000 Kc

TABLE 5-3

**CALIBRATION OF OSCILLATOR O-16/ART-13
WHEN MCW-CFZ 8Q-2 UNIT IS USED**

200 Kc to 1500 Kc

TABLE 5-3. CALIBRATION OF OSCILLATOR 0-16/ART-13 WHEN MCW-CFI 8Q-2 UNIT IS USED
200 Kc to 750 Kc

Freq.	A	F	G	Freq.	A	F	G	Freq.	A	F	G	Freq.	A	F	G
200	13	1	393	300	13	2	1114	400	13	3	1090	500	13	4	518
202	13	1	469	302	13	2	1153	402	13	3	1120	505	13	4	565
204	13	1	540	304	13	2	1192	404	13	3	1148	510	13	4	609
206	13	1	609	306	13	2	1229	406	13	3	1177	515	13	4	654
208	13	1	676	308	13	2	1266	408	13	3	1205				(9 divisions per kc)
210	13	1	739	310	13	2	1302	410	13	3	1233	520	13	4	697
212	13	1	801	312	13	2	1338	412	13	3	1260	525	13	4	739
214	13	1	861	314	13	2	1373	414	13	3	1288	530	13	4	781
216	13	1	919	316	13	2	1407	416	13	3	1314	533	13	4	808
218	13	1	976	318	13	2	1442	418	13	3	1341	535	13	4	821
220	13	1	1030	320	13	2	1476	420	13	3	1368	540	13	4	862
				322	13	2	1508	422	13	3	1394	545	13	4	901
222	13	1	1084	324	13	2	1542	424	13	3	1419	550	13	4	940
224	13	1	1136	325	13	2	1558	425	13	3	1432	555	13	4	978
225	13	1	1161	326	13	2	1574	426	13	3	1445	560	13	4	1016
226	13	1	1187	328	13	2	1606	428	13	3	1470	565	13	4	1053
228	13	1	1237	330	13	2	1638	430	13	3	1495				
230	13	1	1286	332	13	2	1670	432	13	3	1519	570	13	4	1090
232	13	1	1334	333	13	2	1691	434	13	3	1544	575	13	4	1127
234	13	1	1381	334	13	2	1701	436	13	3	1569	580	13	4	1163
236	13	1	1426	336	13	2	1732	438	13	3	1593	585	13	4	1198
238	13	1	1472	338	13	2	1763	440	13	3	1616	590	13	4	1234
240	13	1	1515	340	13	2	1793	442	13	3	1641	595	13	4	1270
242	13	1	1560	342	13	2	1823	444	13	3	1665	600	13	4	1304
244	13	1	1603	344	13	2	1854	446	13	3	1688	605	13	4	1340
				346	13	2	1883	448	13	3	1710	610	13	4	1375
246	13	1	1646	348	13	2	1912	450	13	3	1734	615	13	4	1408
248	13	1	1688	350	13	2	1942	452	13	3	1757	620	13	4	1444
250	13	1	1729	352	13	2	1971	454	13	3	1780	625	13	4	1479
252	13	1	1770	354	13	2	2000	456	13	3	1802	630	13	4	1512
254	13	1	1810	356	13	2	2028	458	13	3	1825				
256	13	1	1851					460	13	3	1847	635	13	4	1548
258	13	1	1890	350	13	3	154	462	13	3	1870	640	13	4	1584
260	13	1	1929	352	13	3	205	464	13	3	1892	645	13	4	1618
262	13	1	1968	354	13	3	255	466	13	3	1912	650	13	4	1655
				356	13	3	302	467	13	3	1921	655	13	4	1691
262	13	2	175	358	13	3	347	468	13	3	1936	660	13	4	1728
264	13	2	242	360	13	3	392	470	13	3	1958	655	13	4	1766
266	13	2	305	362	13	3	434	472	13	3	1980	667	13	4	1779
267	13	2	325	364	13	3	476	474	13	3	2001	670	13	4	1804
268	13	2	366	366	13	3	515	475	13	4	268	675	13	4	1845
270	13	2	423	368	13	3	555	476	13	3	2022	680	13	4	1886
272	13	2	480	370	13	3	593	467	13	4	176				
274	13	2	533	372	13	3	631	468	13	4	191	685	13	4	1928
275	13	2	559	374	13	3	668	470	13	4	213	690	13	4	1976
276	13	2	585	375	13	3	686	472	13	4	235	695	13	4	2023
278	13	2	635					474	13	4	257				
280	13	2	684	376	13	3	704	475	13	4	279	695	13	5	156
282	13	2	731	378	13	3	739	476	13	4	279	700	13	5	195
				380	13	3	774	478	13	4	300	705	13	5	231
284	13	2	778	382	13	3	808	480	13	4	321	710	13	5	269
286	13	2	823	384	13	3	841	482	13	4	342	715	13	5	303
288	13	2	868	386	13	3	874	484	13	4	363	720	13	5	338
290	13	2	911	388	13	3	906	486	13	4	383	725	13	5	373
292	13	2	953	390	13	3	938	488	13	4	402	730	13	5	406
294	13	2	995	392	13	3	970	490	13	4	422	733	13	5	427
296	13	2	1035	394	13	3	1000	492	13	4	442	735	13	5	438
298	13	2	1075	396	13	3	1030	494	13	4	462	740	13	5	471
300	13	2	1114	398	13	3	1061	496	13	4	481	745	13	5	502
				400	13	3	1090	498	13	4	499	750	13	5	533
								500	13	4	518				

Use nearest check point shown in heavy type.

TABLE 5-3. CALIBRATION OF OSCILLATOR 0-16/ART-13 WHEN MCW-CFI 8Q-2 UNIT IS USED (Continued)
750 Kc to 1500 Kc

Freq.	A	F	G	Freq.	A	F	G	Freq.	A	F	G
750	13	5	533	1000	13	5	1795	1250	13	6	1016
755	13	5	565	1005	13	5	1822	1255	13	6	1032
760	13	5	594	1010	13	5	1850	1260	13	6	1050
765	13	5	624	1015	13	5	1878	1265	13	6	1067
770	13	5	654	1020	13	5	1905	1267	13	6	1073
			(5 div. per kc)	1025	13	5	1935	1270	13	6	1084
775	13	5	683	1030	13	5	1966	1275	13	6	1100
780	13	5	711	1035	13	5	1998	1280	13	6	1116
785	13	5	739								(3.3 divisions per kc)
790	13	5	768	1035	13	6	145	1285	13	6	1132
795	13	5	795	1040	13	6	171	1290	13	6	1149
800	13	5	821	1045	13	6	196	1295	13	6	1166
805	13	5	849	1050	13	6	219	1300	13	6	1182
810	13	5	876	1055	13	6	244	1305	13	6	1198
815	13	5	901					1310	13	6	1214
820	13	5	927	1060	13	6	270	1315	13	6	1230
825	13	5	953	1065	13	6	293	1320	13	6	1246
830	13	5	979	1067	13	6	300	1325	13	6	1262
				1070	13	6	315	1330	13	6	1278
835	13	5	1004	1075	13	6	338	1335	13	6	1294
840	13	5	1029	1080	13	6	363	1340	13	6	1309
845	13	5	1054					1345	13	6	1325
850	13	5	1079	1085	13	6	385	1350	13	6	1341
855	13	5	1103	1090	13	6	407				(3.2 divisions per kc)
860	13	5	1127	1095	13	6	428	1355	13	6	1358
865	13	5	1152	1100	13	6	451	1360	13	6	1374
867	13	5	1160	1105	13	6	473	1365	13	6	1389
870	13	5	1176	1110	13	6	493	1370	13	6	1404
875	13	5	1199	1115	13	6	514	1375	13	6	1419
880	13	5	1223					1380	13	6	1436
				1120	13	6	534	1385	13	6	1452
885	13	5	1247	1125	13	6	555	1390	13	6	1468
890	13	5	1270	1130	13	6	576	1395	13	6	1484
895	13	5	1294	1133	13	6	589	1400	13	6	1499
900	13	5	1317	1135	13	6	596	1405	13	6	1514
905	13	5	1341					1410	13	6	1530
910	13	5	1364	1140	13	6	615	1415	13	6	1547
915	13	5	1387	1145	13	6	635	1420	13	6	1563
				1150	13	6	656	1425	13	6	1580
920	13	5	1410	1155	13	6	675	1430	13	6	1595
925	13	5	1433	1160	13	6	694				(3.2 divisions per kc)
930	13	5	1457	1165	13	6	712	1435	13	6	1611
933	13	5	1473	1170	13	6	731	1440	13	6	1627
935	13	5	1480	1175	13	6	751	1445	13	6	1644
940	13	5	1503					1450	13	6	1661
945	13	5	1526	1180	13	6	770	1455	13	6	1678
950	13	5	1550	1185	13	6	788	1460	13	6	1694
955	13	5	1574	1190	13	6	806	1465	13	6	1710
960	13	5	1597	1195	13	6	823	1467	13	6	1715
				1200	13	6	842	1470	13	6	1727
965	13	5	1621	1205	15	6	860	1475	13	6	1744
970	13	5	1645	1210	13	6	878	1480	13	6	1763
975	13	5	1670	1215	13	6	895				(3.4 divisions per kc)
980	13	5	1694	1220	13	6	918	1485	13	6	1780
985	13	5	1718	1225	13	6	930	1490	13	6	1797
990	13	5	1744	1230	13	6	948	1495	13	6	1813
995	13	5	1770					1500	13	6	1832
1000	13	5	1795	1235	13	6	966				(3.5 div. per kc)
				1240	13	6	983				
				1245	13	6	999				
				1250	13	6	1016				
				1267	13	6	1073				

Use nearest check point shown in heavy type.

TABLE 5-4

**CALIBRATION OF OSCILLATOR 0-17/ART-13A
WHEN MCW-CFI 8Q-1 UNIT IS USED**

200 Kc to 600 Kc

AN 08-30 ART 13-3

**TABLE 5-4. CALIBRATION OF OSCILLATOR 0-17/ART-13A WHEN MCW-CFI 8Q-1 UNIT IS USED
200 Kc to 300 Kc**

<i>Freq.</i>	<i>A</i>	<i>F</i>	<i>G</i>	<i>Freq.</i>	<i>A</i>	<i>F</i>	<i>G</i>	<i>Freq.</i>	<i>A</i>	<i>F</i>	<i>G</i>
200	13	1	189.2	234	13	1	890.2	269	13	1	1604.0
201	13	1	212.0	235	13	1	910.6				
202	13	1	234.8	236	13	1	931.0	270	13	1	1624.5
203	13	1	256.8	237	13	1	951.3	271	13	1	1645.6
204	13	1	278.0	238	13	1	971.7	272	13	1	1666.0
205	13	1	299.8	239	13	1	992.0	273	13	1	1686.5
206	13	1	321.3					274	13	1	1707.2
207	13	1	342.8	240	13	1	1012.4	275	13	1	1728.8
208	13	1	363.6	241	13	1	1032.8	276	13	1	1750.0
209	13	1	384.3	242	13	1	1053.3	277	13	1	1771.0
				243	13	1	1073.7	278	13	1	1792.0
210	13	1	405.0	244	13	1	1094.2	279	13	1	1814.0
211	13	1	425.3	245	13	1	1114.6				
212	13	1	445.6	246	13	1	1135.0	280	13	1	1836.0
213	13	1	466.5	247	13	1	1155.5	281	13	1	1858.0
214	13	1	486.7	248	13	1	1175.9	282	13	1	1880.0
215	13	1	508.1	249	13	1	1196.4	283	13	1	1902.2
216	13	1	527.5					284	13	1	1925.2
217	13	1	548.0	250	13	1	1216.8	285	13	1	1948.5
218	13	1	568.0	251	13	1	1237.1				
219	13	1	588.0	252	13	1	1257.4	285	13	2	118.8
				253	13	1	1277.8	286	13	2	135.7
220	13	1	608.0	254	13	1	1298.1	287	13	2	152.2
221	13	1	628.1	255	13	1	1318.4	288	13	2	168.2
222	13	1	648.2	256	13	1	1338.7	289	13	2	184.2
223	13	1	668.2	257	13	1	1359.0				
224	13	1	688.3	258	13	1	1379.4	290	13	2	200.2
225	13	1	708.4	259	13	1	1399.7	291	13	2	215.5
226	13	1	728.5					292	13	2	231.0
227	13	1	748.6	260	13	1	1420.0	293	13	2	246.8
228	13	1	768.6	261	13	1	1440.0	294	13	2	261.8
229	13	1	788.7	262	13	1	1460.9	295	13	2	276.5
				263	13	1	1481.4	296	13	2	291.4
230	13	1	808.8	264	13	1	1501.8	297	13	2	306.5
231	13	1	829.2	265	13	1	1522.2	298	13	2	321.5
232	13	1	849.5	266	13	1	1542.7	299	13	2	336.2
233	13	1	869.9	267	13	1	1563.1				
				268	13	1	1583.6	300	13	2	350.8

Use nearest check point shown in heavy type.

SECTION V

AN 08-30 ART 13-3

TABLE 5-4. CALIBRATION OF OSCILLATOR 0-17/ART-13A WHEN MCW-CFI 8Q-1 UNIT IS USED (Continued)
300 Kc to 400 Kc

Freq.	A	F	G	Freq.	A	F	G	Freq.	A	F	G
300	13	2	350.8	334	13	2	829.0	368	13	2	1309.2
301	13	2	365.7	335	13	2	843.0	369	13	2	1323.3
302	13	2	379.4	336	13	2	857.0				
303	13	2	394.5	337	13	2	871.0	370	13	2	1337.5
304	13	2	408.7	338	13	2	885.0	371	13	2	1351.5
305	13	2	423.5	339	13	2	899.0	372	13	2	1365.6
306	13	2	438.7					373	13	2	1379.6
307	13	2	452.0	340	13	2	913.0	374	13	2	1393.6
308	13	2	466.0	341	13	2	927.2	375	13	2	1407.6
309	13	2	480.0	342	13	2	941.4	376	13	2	1421.7
				343	13	2	955.6	377	13	2	1435.7
310	13	2	494.0	344	13	2	969.8	378	13	2	1449.7
311	13	2	509.2	345	13	2	984.0	379	13	2	1463.7
312	13	2	522.4	346	13	2	998.2				
313	13	2	536.6	347	13	2	1012.4	380	13	2	1477.8
314	13	2	550.6	348	13	2	1026.6	381	13	2	1492.0
315	13	2	564.4	349	13	2	1040.8	382	13	2	1506.2
316	13	2	578.4					383	13	2	1520.3
317	13	2	592.2	350	13	2	1055.0	384	13	2	1534.5
318	13	2	606.2	351	13	2	1069.1	385	13	2	1548.7
319	13	2	620.2	352	13	2	1083.2	386	13	2	1562.9
				353	13	2	1097.3	387	13	2	1577.1
320	13	2	634.2	354	13	2	1111.4	388	13	2	1591.2
321	13	2	648.1	355	13	2	1125.5	389	13	2	1605.4
322	13	2	662.0	356	13	2	1139.6				
323	13	2	675.8	357	13	2	1153.7	390	13	2	1619.6
324	13	2	689.7	358	13	2	1167.8	391	13	2	1634.1
325	13	2	703.6	359	13	2	1181.9	392	13	2	1648.6
326	13	2	717.5					393	13	2	1663.2
327	13	2	731.4	360	13	2	1196.0	394	13	2	1677.7
328	13	2	745.2	361	13	2	1210.1	395	13	2	1692.2
329	13	2	759.1	362	13	2	1224.3	396	13	2	1706.7
				363	13	2	1238.4	397	13	2	1721.2
330	13	2	773.0	364	13	2	1252.6	398	13	2	1735.7
331	13	2	786.4	365	13	2	1266.7	399	13	2	1750.3
332	13	2	801.0	366	13	2	1280.9				
333	13	2	815.0	367	13	2	1295.0	400	13	2	1764.8

Use nearest check point shown in heavy type.

AN 08-30 ART 13-3

TABLE 5-4. CALIBRATION OF OSCILLATOR 0-17/ART-13A WHEN MCW-CFI 8Q-1 UNIT IS USED (Continued)
400 Kc to 500 Kc

Freq.	A	F	G	Freq.	A	F	G	Freq.	A	F	G
400	13	2	1764.8	433	13	3	320.4	468	13	3	662.6
401	13	2	1779.0	434	13	3	330.4	469	13	3	672.2
402	13	2	1793.7	435	13	3	340.6				
403	13	2	1809.0	436	13	3	350.8	470	13	3	681.8
404	13	2	1824.0	437	13	3	360.8	471	13	3	691.4
405	13	2	1839.4	438	13	3	370.6	472	13	3	701.0
406	13	2	1854.4	439	13	3	380.4	473	13	3	710.5
407	13	2	1869.4					474	13	3	720.1
408	13	2	1885.0	440	13	3	390.4	475	13	3	729.7
409	13	2	1900.2	441	13	2	400.3	476	13	3	739.3
				442	13	3	410.1	477	13	3	748.9
410	13	2	1916.2	443	13	3	420.0	478	13	3	758.4
411	13	2	1932.2	444	13	3	429.8	479	13	3	768.0
412	13	2	1948.2	445	13	3	439.7				
413	13	2	1964.4	446	13	3	449.6	480	13	3	777.6
414	13	2	1980.3	447	13	3	459.4	481	13	3	787.3
415	13	2	1997.0	448	13	3	469.3	482	13	3	796.9
				449	13	3	479.1	483	13	3	806.6
415	13	3	127.2					484	13	3	816.2
416	13	3	138.6	450	13	3	489.0	485	13	3	825.9
417	13	3	150.2	451	13	3	498.7	486	13	3	835.6
418	13	3	161.3	452	13	3	508.4	487	13	3	845.2
419	13	3	172.2	453	13	3	518.0	488	13	3	854.9
				454	13	3	527.7	489	13	3	864.5
420	13	3	183.0	455	13	3	537.4				
421	13	3	193.8	456	13	3	547.1	490	13	3	874.2
422	13	3	205.0	457	13	3	556.8	491	13	3	884.0
423	13	3	215.6	458	13	3	566.4	492	13	3	893.7
424	13	3	226.6	459	13	3	576.1	493	13	3	903.5
425	13	3	237.2					494	13	3	913.2
426	13	3	247.7	460	13	3	585.8	495	13	3	923.3
427	13	3	258.2	461	13	3	595.4	496	13	3	932.8
428	13	3	268.4	462	13	3	605.0	497	13	3	942.5
429	13	3	277.7	463	13	3	614.6	498	13	3	952.3
				464	13	3	624.2	499	13	3	962.0
430	13	3	289.2	465	13	3	633.8				
431	13	3	299.6	466	13	3	643.4	500	13	3	971.8
432	13	3	310.2	467	13	3	653.0				

Use nearest check point shown in heavy type.

SECTION V

AN 08-30 ART 13-3

TABLE 5-4. CALIBRATION OF OSCILLATOR 0-17/ART-13A WHEN MCW-CFI 8Q-1 UNIT IS USED (Continued)
500 Kc to 600 Kc

Freq.	A	F	G	Freq.	A	F	G	Freq.	A	F	G
500	13	3	971.8	534	13	3	1303.2	569	13	3	1644.0
501	13	3	981.6	535	13	3	1312.9				
502	13	3	991.0	536	13	3	1322.6	570	13	3	1653.8
503	13	3	1001.1	537	13	3	1332.3	571	13	3	1663.8
504	13	3	1010.9	538	13	3	1342.0	572	13	3	1673.2
505	13	3	1020.6	539	13	3	1351.7	573	13	3	1682.0
506	13	3	1030.4					574	13	3	1692.8
507	13	3	1040.2	540	13	3	1361.4	575	13	3	1703.0
508	13	3	1050.0	541	13	3	1371.1	576	13	3	1713.0
509	13	3	1059.7	542	13	3	1380.8	577	13	3	1723.0
				543	13	3	1390.4	578	13	3	1733.4
510	13	3	1069.5	544	13	3	1400.1	579	13	3	1743.4
511	13	3	1079.2	545	13	3	1409.8				
512	13	3	1089.0	546	13	3	1419.5	580	13	3	1753.4
513	13	3	1098.8	547	13	3	1429.2	581	13	3	1763.4
514	13	3	1108.5	548	13	3	1438.8	582	13	3	1773.2
515	13	3	1118.2	549	13	3	1448.5	583	13	3	1783.2
516	13	3	1128.0					584	13	3	1793.8
517	13	3	1137.7	550	13	3	1458.2	585	13	3	1804.0
518	13	3	1147.5	551	13	3	1467.9	586	13	3	1814.4
519	13	3	1157.3	552	13	3	1477.7	587	13	3	1824.8
				553	13	3	1487.4	588	13	3	1835.2
520	13	3	1167.0	554	13	3	1497.1	589	13	3	1845.9
521	13	3	1176.8	555	13	3	1506.9				
522	13	3	1186.5	556	13	3	1516.6	590	13	3	1856.2
523	13	3	1196.2	557	13	3	1526.3	591	13	3	1866.4
524	13	3	1206.0	558	13	3	1536.1	592	13	3	1877.0
525	13	3	1215.7	559	13	3	1545.9	593	13	3	1887.5
526	13	3	1225.5					594	13	3	1898.0
527	13	3	1235.2	560	13	3	1555.6	595	13	3	1909.0
528	13	3	1245.0	561	13	3	1565.4	596	13	3	1920.0
529	13	3	1254.7	562	13	3	1575.2	597	13	3	1931.0
				563	13	3	1585.1	598	13	3	1942.0
530	13	3	1264.5	564	13	3	1594.9	599	13	3	1953.0
531	13	3	1274.2	565	13	3	1604.7				
532	13	3	1283.9	566	13	3	1614.5	600	13	3	1964.0
533	13	3	1293.6	567	13	3	1624.3				
				568	13	3	1634.3				

Use nearest check point shown in heavy type.

TABLE 5-5

**CALIBRATION OF RADIO TRANSMITTER T-47A/ART-13
OR T-47/ART-13 WHEN MCW-CFI 8Q-1 UNIT IS USED**

2000 Kc to 18,100 Kc

SECTION V

AN 08-30 ART 13-3

TABLE 5-5. CALIBRATION OF TRANSMITTER T-47A/ART-13 OR T-47/ART-13 WHEN MCW-CFI 8Q-1 UNIT IS USED

2000 Kc to 3000 Kc

Freq.	A	B	Freq.	A	B	Freq.	A	B	Freq.	A	B
2000	1	100	2250	1	1027	2500	2	366	2750	2	1133
2005	1	119	2255	1	1046	2505	2	381	2755	2	1148
2010	1	138	2260	1	1064	2510	2	397	2760	2	1163
2015	1	156	2265	1	1083	2515	2	412	2765	2	1179
2020	1	174	2267	1	1089				2770	2	1194
2025	1	193	2270	1	1101	2520	2	427	2775	2	1209
2030	1	211	2275	1	1119	2525	2	443	2780	2	1224
2035	1	230	2280	1	1138	2530	2	458	2785	2	1239
2040	1	248				2533	2	469	2790	2	1254
2045	1	267	2285	1	1156	2535	2	474	2795	2	1270
2050	1	285	2290	1	1174	2540	2	489	2800	2	1285
			2295	1	1193	2545	2	505	2805	2	1300
2055	1	303	2300	1	1211	2550	2	520	2810	2	1315
2060	1	322	2305	1	1229	2555	2	535	2815	2	1330
2065	1	340	2310	1	1247	2560	2	551	2820	2	1345
2070	1	359	2315	1	1265				2825	2	1361
2075	1	377	2320	1	1284	2565	2	567	2830	2	1376
2080	1	396	2325	1	1302	2570	2	590	2835	2	1391
2085	1	415	2330	1	1321	2575	2	597	2840	2	1406
2090	1	433	2335	1	1339	2580	2	613	2845	2	1421
2095	1	452	2340	1	1357	2585	2	628	2850	2	1436
2100	1	470	2345	1	1376	2590	2	644			
2105	1	489	2350	1	1394	2595	2	659	2855	2	1452
2110	1	508				2600	2	674	2860	2	1469
2115	1	526	2355	1	1412	2605	2	690	2865	2	1482
			2360	1	1430	2610	2	705	2870	2	1498
2120	1	545	2365	1	1449	2615	2	721	2875	2	1513
2125	1	564	2370	1	1468	2620	2	736	2880	2	1528
2130	1	582	2375	1	1486	2625	2	756	2885	2	1544
2133	1	595	2380	1	1504	2630	2	767	2890	2	1559
2135	1	601	2385	1	1523				2895	2	1574
2140	1	620	2390	1	1541	2635	2	782	2900	2	1590
2145	1	638	2395	1	1560	2640	2	797	2905	2	1605
2150	1	657	2400	1	1578	2645	2	813	2910	2	1621
2155	1	675				2650	2	828	2915	2	1636
2160	1	693	2400	2	060	2655	2	844			
2165	1	713	2405	2	076	2660	2	859	2920	2	1653
			2410	2	091	2665	2	874	2925	2	1668
2170	1	732	2415	2	106	2667	2	879	2930	2	1683
2175	1	750	2420	2	121	2670	2	890	2933	2	1694
2180	1	769	2425	2	137	2675	2	905	2935	2	1699
2185	1	787	2430	2	152	2680	2	920	2940	2	1715
2190	1	806	2435	2	168				2945	2	1731
2195	1	824	2440	2	183	2685	2	935	2950	2	1749
2200	1	843	2445	2	198	2690	2	951	2955	2	1763
2205	1	862	2450	2	213	2695	2	966	2960	2	1779
2210	1	880				2700	2	981	2965	2	1795
2215	1	898	2455	2	228	2705	2	996			
2220	1	917	2460	2	243	2710	2	1012	2970	2	1811
2225	1	935	2465	2	259	2715	2	1027	2975	2	1827
2230	1	954	2470	2	274	2720	2	1042	2980	2	1843
2235	1	972	2475	2	290	2725	2	1057	2985	2	1860
2240	1	991	2480	2	305	2730	2	1073	2990	2	1877
2245	1	1009	2485	2	320	2735	2	1088	2995	2	1893
2250	1	1027	2490	2	335	2740	2	1103	3000	2	1910
			2495	2	351	2745	2	1118			
			2500	2	366	2750	2	1133			

Use nearest check point shown in heavy type.

AN 08-30 ART 13-3

TABLE 5-5. CALIBRATION OF TRANSMITTER T-47A/ART-13 OR T-47/ART-13 WHEN MCW-CFI 8Q-1 UNIT IS USED (Continued)

3000 Kc to 4000 Kc

Freq.	A	B	Freq.	A	B	Freq.	A	B	Freq.	A	B
3000	3	100	3250	3	719	3500	3	1333	3750	4	366
3005	3	113	3255	3	731	3505	3	1345	3755	4	376
3010	3	126	3260	3	743	3510	3	1357	3760	4	386
3015	3	138	3265	3	755	3515	3	1369	3765	4	397
3020	3	150	3270	3	769	3520	3	1381	3770	4	407
3025	3	162	3275	3	781	3525	3	1394	3775	4	417
3030	3	174	3280	3	793	3530	3	1406			
3035	3	186	3285	3	806	3535	3	1418	3780	4	427
3040	3	198	3290	3	818	3540	3	1430	3785	4	437
3045	3	211	3295	3	830	3545	3	1443	3790	4	447
3050	3	223	3300	3	843	3550	3	1456	3795	4	458
3055	3	235	3305	3	855	3555	3	1468	3800	4	469
3060	3	248	3310	3	867	3560	3	1480	3805	4	479
3065	3	260	3315	3	880	3565	3	1492	3810	4	489
3070	3	272	3320	3	892	3570	3	1504	3815	4	499
3075	3	285	3325	3	904	3575	3	1516	3820	4	509
			3330	3	917	3580	3	1528	3825	4	520
3080	3	297	3335	3	929	3585	3	1541	3830	4	530
3085	3	309	3340	3	941	3590	3	1553	3835	4	540
3090	3	322	3345	3	954	3595	3	1565	3840	4	551
3095	3	334	3350	3	966	3600	3	1578	3845	4	561
3100	3	346							3850	4	571
3105	3	359	3355	3	978	3600	4	060			
3110	3	371	3360	3	991	3605	4	070	3855	4	582
3115	3	383	3365	3	1003	3610	4	080	3860	4	592
3120	3	396	3370	3	1015	3615	4	091	3865	4	602
3125	3	408	3375	3	1027	3620	4	101	3870	4	613
3130	3	420	3380	3	1039	3625	4	116	3875	4	623
3135	3	433	3385	3	1051	3630	4	121	3880	4	633
3140	3	445	3390	3	1064	3635	4	131	3885	4	644
3145	3	457	3395	3	1076	3640	4	141	3890	4	654
3150	3	470	3400	3	1088	3645	4	152	3895	4	664
3155	3	483	3405	3	1101	3650	4	162	3900	4	674
3160	3	496	3410	3	1113	3655	4	172	3905	4	684
3165	3	508	3415	3	1125	3660	4	183	3910	4	694
3170	3	520	3420	3	1138	3665	4	192	3915	4	705
3175	3	532				3670	4	203	3920	4	715
			3425	3	1150	3675	4	213	3925	4	725
3180	3	545	3430	3	1162				3930	4	736
3185	3	557	3435	3	1174	3680	4	223	3935	4	746
3190	3	569	3440	3	1186	3685	4	233	3940	4	756
3195	3	582	3445	3	1198	3690	4	243	3945	4	767
3200	3	594	3450	3	1211	3695	4	253	3950	4	777
3205	3	606	3455	3	1223	3700	4	264			
3210	3	620	3460	3	1235	3705	4	275	3955	4	787
3215	3	632	3465	3	1247	3710	4	285	3960	4	797
3220	3	644	3470	3	1259	3715	4	295	3965	4	807
3225	3	657	3475	3	1271	3720	4	305	3970	4	817
3230	3	669	3480	3	1284	3725	4	315	3975	4	828
3235	3	681	3485	3	1296	3730	4	325	3980	4	838
3240	3	693	3490	3	1308	3735	4	335	3985	4	848
3245	3	706	3495	3	1321	3740	4	345	3990	4	859
3250	3	719	3500	3	1333	3745	4	355	3995	4	869
						3750	4	366	4000	4	879

Use nearest check point shown in heavy type.

SECTION V

AN 08-30 ART 13-3

TABLE 5-5. CALIBRATION OF TRANSMITTER T-47A/ART-13 OR T-47/ART-13 WHEN MCW-CFI 8Q-1 UNIT IS USED (Continued)
4000 Kc to 5000 Kc

Freq.	A	B	Freq.	A	B	Freq.	A	B	Freq.	A	B
4000	5	100	4250	5	564	4500	5	1027	4750	5	1486
4005	5	109	4255	5	573	4505	5	1036	4755	5	1495
4010	5	119	4260	5	582	4510	5	1046	4760	5	1504 Kc
4015	5	128	4265	5	591	4515	5	1055	4765	5	1513
4020	5	138	4267	5	595	4520	5	1064 Kc	4770	4	1523
4025	5	147	4270	5	601	4525	5	1073	4775	5	1532
4030	5	156	4275	5	610	4530	5	1083	4780	5	1541
4035	5	165 Kc	4280	5	620	4533	5	1089	4785	5	1550
4040	5	174	4285	5	629	4535	5	1092	4790	5	1560
4045	5	183	4290	5	638	4540	5	1101	4795	5	1569
4050	5	193	4295	5	647	4545	5	1110	4800	5	1578
4055	5	202	4300	5	657	4550	5	1119			
4060	5	211	4305	5	666	4555	5	1128	4800	6	060
4065	5	220	4310	5	675	4560	5	1138	4805	6	068
4070	5	230	4315	5	684	4565	5	1147	4810	6	076
4075	5	239	4320	5	693				4815	6	084
4080	5	248	4325	5	702	4570	5	1156	4820	6	091
4085	5	257	4330	5	713	4575	5	1165	4825	6	099
4090	5	267				4580	5	1174	4830	6	106
4095	5	276	4335	5	722	4585	5	1183	4835	6	114 Kc
4100	5	285	4340	5	732	4590	5	1193	4840	6	121
			4345	5	741	4595	5	1202	4845	6	129
4105	5	293	4350	5	750	4600	5	1211	4850	6	137
4110	5	303	4355	5	759	4605	5	1220	4855	6	145
4115	5	312	4360	5	769	4610	5	1229	4860	6	152
4120	5	322	4365	5	778	4615	5	1238	4865	6	160
4125	5	331	4370	5	787	4620	5	1247	4870	6	168
4130	5	340	4375	5	796	4625	5	1256	4875	6	176
4135	5	349	4380	5	806	4630	5	1266	4880	6	183
4140	5	359	4385	5	815	4635	5	1275	4885	6	191
4145	5	368	4390	5	824	4640	5	1284	4890	6	198
4150	5	377	4395	5	833	4645	5	1293	4895	6	206
4155	5	386	4400	5	843	4650	5	1302	4900	6	213
4160	5	396	4405	5	852	4655	5	1311			
4165	5	405	4410	5	862	4660	5	1321	4905	6	221
4170	5	415	4415	5	871	4665	5	1330	4910	6	228
4175	5	424	4420	5	880	4670	5	1339	4915	6	236
4180	5	433	4425	5	889	4675	5	1348	4920	6	243
4185	5	442	4430	5	898	4680	5	1357	4925	6	251
4190	5	452	4435	5	907	4685	5	1366	4930	6	259
4195	5	461	4440	5	917	4690	5	1376	4935	6	267
4200	5	470	4445	5	926	4695	5	1385	4940	6	274
4205	5	479	4450	5	935	4700	5	1394	4945	6	282
4210	5	489	4455	5	944				4950	6	290
4215	5	498	4460	5	954				4955	6	298
4220	5	508				4705	5	1403	4960	6	305
4225	5	517	4465	5	963	4710	5	1412	4965	6	313
4230	5	526	4470	5	972	4715	5	1421	4970	6	320
			4475	5	981	4720	5	1430	4975	6	328
4235	5	535 Kc	4480	5	991	4725	5	1439	4980	6	335
4240	5	545	4485	5	1000	4730	5	1449	4985	6	343
4245	5	554	4490	5	1009	4735	5	1458	4990	6	351
4250	5	564	4495	5	1018	4740	5	1468	4995	6	359
4267	5	595	4500	5	1027	4745	5	1477	5000	6	366
			4533	5	1089	4750	5	1486			
						4800	5	1578			

Use nearest check point shown in heavy type.

AN 08-30 ART 13-3

TABLE 5-5. CALIBRATION OF TRANSMITTER T-47A/ART-13 OR T-47/ART-13 WHEN MCW-CFI 8Q-1 UNIT IS USED (Continued)

5000 Kc to 6000 Kc

Freq.	A	B	Freq.	A	B	Freq.	A	B	Freq.	A	B
5000	6	366	5250	6	752	5500	6	1133	5750	6	1513
5005	6	374	5255	6	760	5505	6	1141	5755	6	1521
5010	6	381	5260	6	767	5510	6	1148	5760	6	1528
5015	6	389	5265	6	775	5515	6	1156	5765	6	1536
5020	6	397	5270	6	782	5520	6	1163	5770	6	1544
5025	6	405	5275	6	790	5525	6	1171	5775	6	1552
5030	6	412	5280	6	797	5530	6	1179	5780	6	1559
		(1.5 divisions per kc)	5285	6	805	5535	6	1187	5785	6	1567
5035	6	420	5290	6	813	5540	6	1194	5790	6	1574
5040	6	427	5295	6	821	5545	6	1202	5795	6	1582
5045	6	435	5300	6	828	5550	6	1209	5800	6	1590
5050	6	443	5305	6	836	5555	6	1217	5805	6	1598
5055	6	451	5310	6	844	5560	6	1224	5810	6	1605
5060	6	458	5315	6	852	5565	6	1232	5815	6	1613
5065	6	466	5320	6	859	5570	6	1239	5820	6	1621
5067	6	469	5325	6	867	5575	6	1247	5825	6	1629
5070	6	474	5330	6	874	5580	6	1254	5830	6	1636
5075	6	482	5333	6	879	5585	6	1262			
5080	6	489	5335	6	882	5590	6	1270	5835	6	1644
5085	6	497	5340	6	890	5595	6	1278	5840	6	1653
5090	6	505	5345	6	898	5600	6	1285	5845	6	1661
5095	6	513	5350	6	905	5605	6	1293	5850	6	1668
5100	6	520	5355	6	913	5610	6	1300	5855	6	1676
5105	6	528	5360	6	920	5615	6	1308	5860	6	1683
5110	6	535	5365	6	928	5620	6	1315	5865	6	1691
5115	6	543				5625	6	1323	5867	6	1694
5120	6	551	5370	6	935	5630	6	1330	5870	6	1699
5125	6	559	5375	6	943	5635	6	1338	5875	6	1707
5130	6	567	5380	6	951	5640	6	1345	5880	6	1715
			5385	6	959	5645	6	1353	5885	6	1723
5135	6	575	5390	6	966	5650	6	1361	5890	6	1731
5140	6	582	5395	6	974	5655	6	1369	5895	6	1739
5145	6	590	5400	6	981	5660	6	1376	5900	6	1747
5150	6	597	5405	6	989	5665	6	1384	5905	6	1755
5155	6	605	5410	6	996	5690	6	1391	5910	6	1763
5160	6	613	5415	6	1004	5675	6	1399	5915	6	1771
5165	6	621	5420	6	1012	5680	6	1406	5920	6	1779
5170	6	628	5425	6	1020	5685	6	1414	5925	6	1787
5175	6	636	5430	6	1027	5690	6	1421	5930	6	1795
5180	6	644	5435	6	1035	5695	6	1429			
5185	6	652	5440	6	1042	5700	6	1436	5935	6	1803
5190	6	659	5445	6	1050				5940	6	1811
5195	6	667	5450	6	1057	5705	6	1444	5945	6	1819
5200	6	674	5455	6	1065	5710	6	1452	5950	6	1827
5205	6	682	5460	6	1073	5715	6	1460	5955	6	1835
5210	6	690	5465	6	1081	5720	6	1467	5960	6	1844
5215	6	698	5470	6	1088	5725	6	1475	5965	6	1852
5220	6	705	5475	6	1096	5730	6	1482	5970	6	1860
5225	6	713	5480	6	1103	5735	6	1490	5975	6	1868
5230	6	721	5485	6	1111	5740	6	1498	5980	6	1877
5235	6	729	5490	6	1118	5745	6	1506	5985	6	1885
5240	6	736	5495	6	1126	5750	6	1513	5990	6	1893
5245	6	744	5500	6	1133	5800	6	1590	5995	6	1901
5250	6	752							6000	6	1910

Use nearest check point shown in heavy type.

SECTION V

AN 08-30 ART 13-3

TABLE 5-5. CALIBRATION OF TRANSMITTER T-47A/ART-13 OR T-47/ART-13 WHEN MCW-CFI 8Q-1 UNIT IS USED (Continued)

6000 Kc to 7000 Kc

Freq.	A	B	Freq.	A	B	Freq.	A	B	Freq.	A	B
6000	7	100	6250	7	408	6500	7	719	6750	7	1027
6005	7	106	6255	7	415	6505	7	725	6755	7	1033
6010	7	112	6260	7	421	6510	7	732	6760	7	1039
6015	7	119	6265	7	427	6515	7	738	6765	7	1046
6020	7	125	6270	7	433	6520	7	744	6770	7	1052
6025	7	131	6275	7	439	6525	7	750	6775	7	1058
6030	7	138	6280	7	445	6530	7	756 per kc	6780	7	1064
6035	7	144	6285	7	452	6535	7	762 per kc	6785	7	1070
6040	7	150	6290	7	458	6540	7	769	6790	7	1076
6045	7	156	6295	7	464	6545	7	775 divisions per kc	6795	7	1083
6050	7	162	6300	7	470	6550	7	781 divisions per kc	6800	7	1089
6055	7	168	6305	7	476	6555	7	787	6805	7	1095
6060	7	174	6310	7	482	6560	7	793	6810	7	1101
6065	7	180	6315	7	489	6565	7	799	6815	7	1107
6070	7	186	6320	7	495	6570	7	806	6820	7	1113
6075	7	193	6325	7	501	6575	7	812	6825	7	1119
6080	7	199	6330	7	508	6580	7	818	6830	7	1125
6085	7	205	6335	7	514	6585	7	824	6835	7	1131
6090	7	211	6340	7	520	6590	7	830	6840	7	1138
6095	7	217	6345	7	526	6595	7	836	6845	7	1144
6100	7	223	6350	7	532	6600	7	843	6850	7	1150
6105	7	230				6605	7	849			
6110	7	236	6355	7	538	6610	7	855	6355	7	1156
6115	7	242	6360	7	545	6615	7	862	6360	7	1162
6120	7	248	6365	7	551	6620	7	868	6365	7	1168
6125	7	254	6370	7	557	6625	7	874	6870	7	1174
6130	7	260	6375	7	564	6630	7	880	6875	7	1180
6135	7	267	6380	7	570	6635	7	886	6880	7	1186
6140	7	273	6385	7	576	6640	7	892	6885	7	1193
6145	7	279	6390	7	582	6645	7	898	6890	7	1199
6150	7	285	6395	7	588	6650	7	904	6895	7	1205
			6400	7	595	6655	7	910	6900	7	1211
6155	7	291	6405	7	601	6660	7	917	6905	7	1217
6160	7	297	6410	7	607	6665	7	923	6910	7	1223
6165	7	303	6415	7	613	6670	7	929	6915	7	1229
6170	7	309	6420	7	620	6675	7	935	6920	7	1235
6175	7	315	6425	7	626	6680	7	941	6925	7	1241
6180	7	322	6430	7	632	6685	7	947	6930	7	1247
6185	7	328	6435	7	638	6690	7	954	6935	7	1253
6190	7	334	6440	7	644	6695	7	960	6940	7	1259
6195	7	340	6445	7	650	6700	7	966	6945	7	1266
6200	7	346	6450	7	657				6950	7	1272
6205	7	352	6455	7	663	6705	7	972	6955	7	1278
6210	7	359	6460	7	669	6710	7	978	6960	7	1284
6215	7	365	6465	7	675	6715	7	984	6965	7	1290
6220	7	371	6470	7	681	6720	7	991	6970	7	1296
6225	7	377	6475	7	687	6725	7	997	6975	7	1302
6230	7	383	6480	7	693	6730	7	1003	6980	7	1308
6235	7	389	6485	7	699	6735	7	1009	6985	7	1314
6240	7	396	6490	7	705	6740	7	1015	6990	7	1321
6245	7	402	6495	7	713	6745	7	1021	6995	7	1327
6250	7	408	6500	7	719	6750	7	1027	7000	7	1333
6300	7	470				6800	7	1089			

Use nearest check point shown in heavy type.

AN 08-30 ART 13-3

TABLE 5-5. CALIBRATION OF TRANSMITTER T-47A/ART-13 OR T-47/ART-13 WHEN MCW-CFI 8Q-1 UNIT IS USED (Continued)
7000 Kc to 8000 Kc

Freq.	A	B	Freq.	A	B	Freq.	A	B	Freq.	A	B
6900	7	1211	7200	8	060	7500	8	366	7750	8	623
7000	7	1333	7250	8	111	7505	8	371	7755	8	628
7005	7	1339	7255	8	116	7510	8	376	7760	8	633
7010	7	1345	7260	8	121	7515	8	381	7765	8	638
7015	7	1351	7265	8	126	7520	8	386	7770	8	644
7020	7	1357	7270	8	131	7525	8	391	7775	8	649
7025	7	1363	7275	8	137	7530	8	397	7780	8	654
7030	7	1369	7280	8	142	7535	8	402	7785	8	659
7035	7	1376	7285	8	147	7540	8	407	7790	8	664
7040	7	1382	7290	8	152	7545	8	412	7795	8	669
7045	7	1388	7295	8	157	7550	8	417	7800	8	674
7050	7	1394	7300	8	162				7805	8	679
			7305	8	168	7555	8	422	7810	8	684
7055	7	1400	7310	8	173	7560	8	427	7815	8	690
7060	7	1406	7315	8	178	7565	8	432	7820	8	695
7065	7	1412	7320	8	183	7570	8	437	7825	8	700
7070	7	1418	7325	8	188	7575	8	443	7830	8	705
7075	7	1424	7330	8	193	7580	8	448	7835	8	710
7080	7	1430	7335	8	198	7585	8	453	7840	8	715
7085	7	1436	7340	8	203	7590	8	458	7845	8	721
7090	7	1442	7345	8	208	7595	8	463	7850	8	726
7095	7	1449	7350	8	213	7600	8	469	7855	8	731
7100	7	1455				7605	8	474	7860	8	736
7105	7	1461	7355	8	218	7610	8	479	7865	8	741
7110	7	1468	7360	8	223	7615	8	484	7870	8	746
7115	7	1474	7365	8	228	7620	8	489	7875	8	752
7120	7	1480	7370	8	233	7625	8	494	7880	8	757
7125	7	1486	7375	8	238	7630	8	499	7885	8	762
7130	7	1492	7380	8	243	7635	8	505	7890	8	767
7135	7	1498	7385	8	248	7640	8	510	7895	8	772
7140	7	1504	7390	8	253	7645	8	515	7900	8	777
7145	7	1510	7395	8	259	7650	8	520			
7150	7	1516	7400	8	264	7655	8	525	7905	8	782
7155	7	1523	7405	8	269	7660	8	530	7910	8	787
7160	7	1529	7410	8	274	7665	8	535	7915	8	792
7165	7	1535	7415	8	279	7670	8	540	7920	8	790
7170	7	1541	7420	8	284	7675	8	545	7925	8	802
7175	7	1547	7425	8	290	7680	8	551	7930	8	807
7180	7	1553	7430	8	295	7685	8	556	7935	8	813
7185	7	1560	7435	8	300	7690	8	561	7940	8	818
7190	7	1566	7440	8	305	7695	8	567	7945	8	823
7195	7	1572	7445	8	310	7700	8	572	7950	8	828
7200	7	1578	7450	8	315				7955	8	833
			7455	8	320	7705	8	577	7960	8	838
7200	8	060	7460	8	325	7710	8	582	7965	8	844
7205	8	065	7465	8	330	7715	8	587	7970	8	849
7210	8	070	7470	8	335	7720	8	592	7975	8	854
7215	8	076	7475	8	340	7725	8	597	7980	8	859
7220	8	081	7480	8	345	7730	8	602	7985	8	864
7225	8	086	7485	8	351	7735	8	607	7990	8	869
7230	8	091	7490	8	356	7740	8	613	7995	8	874
7235	8	096	7495	8	361	7745	8	618	8000	8	879
7240	8	101	7500	8	366	7750	8	623			
7245	8	106				7800	8	674			
7250	8	111									

Use nearest check point shown in heavy type.

SECTION V

AN 08-30 ART 13-3

TABLE 5-5. CALIBRATION OF TRANSMITTER T-47A/ART-13 OR T-47/ART-13 WHEN MCW-CFI 8Q-1 UNIT IS USED (Continued)

8000 Kc to 10,000 Kc

Freq.	A	B	Freq.	A	B	Freq.	A	B	Freq.	A	B
8000	8	879	8400	8	1285	9000	9	100	9450	9	470
8010	8	890	8500	8	1386	9010	9	108	9500	9	510
8020	8	900	8510	8	1396	9020	9	116	9510	9	518
8030	8	910	8520	8	1406	9030	9	124	9520	9	527
8040	8	920	8530	8	1416	9040	9	132			
8050	8	930	8540	8	1426	9050	9	140	9530	9	536
		(1 div. per kc)	8550	8	1436	9060	9	148	9540	9	545
8060	8	940				9070	9	156	9550	9	553
8070	9	951	8560	8	1446	9080	9	165	9560	9	561
8080	8	961	8570	8	1456	9090	9	174	9570	9	570
8090	8	971	8580	8	1467	9100	9	182	9580	9	578
8100	8	981	8590	8	1477	9110	9	190	9590	9	586
8110	8	991	8600	8	1487	9120	9	198	9600	9	595
8120	8	1001	8610	8	1498	9130	9	206	9610	9	601
8130	8	1012	8620	8	1508	9140	9	214	9620	9	610
8140	8	1022	8630	8	1518	9150	9	222	9630	9	620
8150	8	1032	8640	8	1528	9160	9	230	9640	9	628
8160	8	1042	8650	8	1538	9170	9	239	9650	9	636
8170	8	1052	8660	8	1548	9180	9	248	9660	9	644
8180	8	1062	8670	8	1559	9190	9	256	9670	9	652
8190	8	1073	8680	8	1569	9200	9	264	9680	9	660
8200	8	1083	8690	8	1579	9210	9	272	9690	9	668
8210	8	1093	8700	8	1590	9220	9	280	9700	9	676
8220	8	1103	8710	8	1600	9230	9	288	9710	9	684
8230	8	1113	8720	8	1610	9240	9	296	9720	9	693
8240	8	1123	8730	8	1621	6250	9	304	9730	9	701
8250	8	1133	8740	8	1631				9740	9	709
			8750	8	1641	9260	9	313	9750	9	717
8260	8	1143				9270	9	322			
8270	8	1153	8760	8	1653	9280	9	330	9760	9	725
8280	8	1163	8770	8	1663	9290	9	338	9770	9	733
8290	8	1173	8780	8	1673	9300	9	346	9780	9	742
8300	8	1183	8790	8	1683	9310	9	354	9790	9	751
8310	8	1194	8800	8	1694	9320	9	362	9800	9	760
8320	8	1204	8810	8	1704	9330	9	370	9810	9	769
8330	8	1214	8820	8	1715	9340	9	378	9820	9	777
8340	8	1224	8830	8	1725	9350	9	387	9830	9	785
8350	8	1234	8840	8	1736	9360	9	396	9840	9	793
8360	8	1244	8850	8	1747	9370	9	404	9850	9	801
8370	8	1254	8860	8	1757	9380	9	412	9860	9	809
8380	8	1264	8870	8	1768	9390	9	420	9870	9	817
8390	8	1274	8880	8	1779	9400	9	428	9880	9	825
8400	8	1285	8890	8	1789	9410	9	436	9890	9	834
8410	8	1295	8900	8	1799	9420	9	444	9900	9	843
8420	8	1305				9430	9	452	9910	9	851
8430	8	1315	8910	8	1811	9440	9	461	9920	9	859
8440	8	1325	8920	8	1821	9450	9	470	9930	9	867
8450	8	1335	8930	8	1832	9460	9	478	9940	9	875
8460	8	1345	8940	8	1843	9470	9	486	9950	9	883
8470	8	1355	8950	8	1854	9480	9	494	9960	9	891
8480	8	1365	8960	8	1865	9490	9	502	9970	9	899
8490	8	1376	8970	8	1877	9500	9	510	9980	9	908
8500	8	1386	8980	8	1888				9990	9	917
			8990	8	1899				10000	9	925
			9000	8	1910						

Use nearest check point shown in heavy type.

AN 08-30 ART 13-3

TABLE 5-5. CALIBRATION OF TRANSMITTER T-47A/ART-13 OR T-47/ART-13 WHEN MCW-CFI 8Q-1 UNIT IS USED (Continued)

10,000 Kc to 12,000 Kc

Freq.	A	B	Freq.	A	B	Freq.	A	B	Freq.	A	B
9900	9	843	10350	9	1211	11000	10	195	11400	10	469
10000	9	925	10500	9	1333	11010	10	202	11500	10	538
10010	9	933	10510	9	1341	11020	10	209	11510	10	545
10020	9	941	10520	9	1349	11030	10	216	11520	10	551
10030	9	949	10530	9	1357	11040	10	223	11530	10	557
10040	9	957	10540	9	1365	11050	10	230	11540	10	563
10050	9	965	10550	9	1373	11060	10	237	11550	10	570
		(.08 divisions per kc)	10560	9	1381	11070	10	243			(.08 divisions per kc)
10060	9	973	10570	9	1389	11080	10	249	11560	10	577
10070	9	982				11090	10	256	11570	10	584
10080	9	991	10580	9	1397	11100	10	264	11580	10	591
10090	9	999	10590	9	1405	11110	10	270	11590	10	598
10100	9	1007	10600	9	1413	11120	10	277	11600	10	605
10110	9	1015	10610	9	1421	11130	10	284	11610	10	613
10120	9	1023	10620	9	1430	11140	10	291	11620	10	619
10130	9	1031	10630	9	1438	11150	10	297	11630	10	625
10140	9	1039	10640	9	1446	11160	10	305	11630	10	625
10150	9	1047	10650	9	1454	11170	10	311	11650	10	639
10160	9	1055	10660	9	1462	11180	10	317	11660	10	646
10170	9	1064	10670	9	1470	11190	10	324	11670	10	653
10180	9	1072	10680	9	1478	11200	10	331	11690	10	660
10190	9	1080	10690	9	1486	11210	10	338	11690	10	667
10200	9	1089	10700	9	1494	11220	10	345	11700	10	674
10210	9	1097	10710	9	1504	11230	10	352	11710	10	680
10220	9	1105	10720	9	1512	11240	10	359	11720	10	687
10230	9	1113	10730	9	1520	11250	10	366	11730	10	694
10240	9	1121	10740	9	1528	11260	10	372	11740	10	701
10250	9	1129	10750	9	1536	11270	10	378	11750	10	708
10260	9	1138	10760	9	1544	11280	10	385	11760	10	715
			10770	9	1552	11290	10	392	11770	10	722
10270	9	1146	10780	9	1560	11300	10	399	11780	10	729
10280	9	1154	10790	9	1569	11310	10	406	11790	10	736
10290	9	1162	10800	9	1578	11320	10	413	11800	10	742
10300	9	1170							11810	10	748
10310	9	1178	10800	10	060	11330	10	420	11820	10	755
10320	9	1186	10810	10	066	11340	10	427	11830	10	762
10330	9	1194	10820	10	072	11350	10	433	11840	10	769
10340	9	1202	10830	10	079	11360	10	440	11850	10	776
10350	9	1211	10840	10	086	11370	10	447			
10360	9	1219	10850	10	093	11380	10	454	11860	10	783
10370	9	1227	10860	10	100	11390	10	462	11870	10	790
10380	9	1235	10870	10	107	11400	10	469	11880	10	797
10390	9	1243	10880	10	114	11410	10	475	11890	10	803
10400	9	1251	10890	10	121	11420	10	482	11900	10	810
10410	9	1259	10900	10	127	11430	10	489	11910	10	817
10420	9	1267	10910	10	134	11440	10	495	11920	10	824
10430	9	1275	10920	10	141	11450	10	503	11930	10	831
10440	9	1284	10930	10	148	11460	10	510	11940	10	838
10450	9	1292	10940	10	155	11470	10	517	11950	10	845
10460	9	1300	10950	10	162	11480	10	524	11960	10	852
10470	9	1308	10960	10	169	11490	10	531	11970	10	859
10480	9	1316	10970	10	176	11500	10	538	11980	10	866
10490	9	1324	10980	10	183				11990	10	873
10500	9	1333	10990	10	189				12000	10	879
			11000	10	195						

Use nearest check point shown in heavy type.

SECTION V

AN 08-30 ART 13-3

TABLE 5-5. CALIBRATION OF TRANSMITTER T-47A/ART-13 OR T-47/ART-13 WHEN MCW-CFI 8Q-1 UNIT IS USED (Continued)

12,000 Kc to 14,000 Kc

Freq.	A	B	Freq.	A	B	Freq.	A	B	Freq.	A	B
12000	11	100	12500	11	408	13000	11	719	13500	11	1027
12010	11	106	12510	11	415	13010	11	725	13510	11	1033
12020	11	112	12520	11	421	13020	11	732	13520	11	1039
12030	11	119	12530	11	427	13030	11	738	13530	11	1046
12040	11	125	12540	11	433	13040	11	744	13540	11	1052
12050	11	131	12550	11	439	13050	11	750	13550	11	1058
12060	11	138	12560	11	445	13060	11	756 (0.6 divisions per kc)	13560	11	1064
12070	11	144	12570	11	452 (0.6 divisions per kc)	13070	11	762 (0.6 divisions per kc)	13570	11	1070
12080	11	150	12580	11	458	13080	11	769	13580	11	1076
12090	11	156	12590	11	464	13090	11	775 (0.6 divisions per kc)	13590	11	1083
12100	11	162	12600	11	470	13100	11	781 (0.6 divisions per kc)	13600	11	1089
12110	11	168	12610	11	476 (0.6 divisions per kc)	13110	11	787 (0.6 divisions per kc)	13610	11	1095
12120	11	174	12620	11	482 (0.6 divisions per kc)	13120	11	793 (0.6 divisions per kc)	13620	11	1101
12130	11	180 (0.6 divisions per kc)	12630	11	489 (0.6 divisions per kc)	13130	11	799 (0.6 divisions per kc)	13630	11	1107 (0.6 divisions per kc)
12140	11	187 (0.6 divisions per kc)	12640	11	495 (0.6 divisions per kc)	13140	11	806 (0.6 divisions per kc)	13640	11	1113 (0.6 divisions per kc)
12150	11	193 (0.6 divisions per kc)	12650	11	501 (0.6 divisions per kc)	13150	11	812 (0.6 divisions per kc)	13650	11	1119 (0.6 divisions per kc)
12160	11	199 (0.6 divisions per kc)	12660	11	508 (0.6 divisions per kc)	13160	11	818 (0.6 divisions per kc)	13660	11	1125 (0.6 divisions per kc)
12170	11	205 (0.6 divisions per kc)	12670	11	514 (0.6 divisions per kc)	13170	11	824 (0.6 divisions per kc)	13670	11	1131 (0.6 divisions per kc)
12180	11	211 (0.6 divisions per kc)	12680	11	520 (0.6 divisions per kc)	13180	11	830 (0.6 divisions per kc)	13680	11	1138 (0.6 divisions per kc)
12190	11	217 (0.6 divisions per kc)	12690	11	526 (0.6 divisions per kc)	13190	11	836 (0.6 divisions per kc)	13690	11	1144 (0.6 divisions per kc)
12200	11	223 (0.6 divisions per kc)	12700	11	532 (0.6 divisions per kc)	13200	11	843	13700	11	1150
12210	11	230 (0.6 divisions per kc)				13210	11	849 (0.6 divisions per kc)			
12220	11	236 (0.6 divisions per kc)	12710	11	538 (0.6 divisions per kc)	13220	11	855 (0.6 divisions per kc)	13710	11	1156 (0.6 divisions per kc)
12230	11	242 (0.6 divisions per kc)	12720	11	545 (0.6 divisions per kc)	13230	11	862 (0.6 divisions per kc)	13720	11	1162 (0.6 divisions per kc)
12240	11	248 (0.6 divisions per kc)	12730	11	551 (0.6 divisions per kc)	13240	11	868 (0.6 divisions per kc)	13730	11	1168 (0.6 divisions per kc)
12250	11	254 (0.6 divisions per kc)	12740	11	557 (0.6 divisions per kc)	13250	11	874 (0.6 divisions per kc)	13740	11	1174 (0.6 divisions per kc)
12260	11	260 (0.6 divisions per kc)	12750	11	564 (0.6 divisions per kc)	13260	11	880 (0.6 divisions per kc)	13750	11	1180 (0.6 divisions per kc)
12270	11	267 (0.6 divisions per kc)	12760	11	570 (0.6 divisions per kc)	13270	11	886 (0.6 divisions per kc)	13760	11	1186 (0.6 divisions per kc)
12280	11	273 (0.6 divisions per kc)	12770	11	576 (0.6 divisions per kc)	13280	11	892 (0.6 divisions per kc)	13770	11	1193 (0.6 divisions per kc)
12290	11	279 (0.6 divisions per kc)	12780	11	582 (0.6 divisions per kc)	13290	11	898 (0.6 divisions per kc)	13780	11	1199 (0.6 divisions per kc)
			12790	11	590 (0.6 divisions per kc)	13300	11	904 (0.6 divisions per kc)	13790	11	1205 (0.6 divisions per kc)
12300	11	285 (0.6 divisions per kc)	12800	11	595	13310	11	910 (0.6 divisions per kc)	13800	11	1211
12310	11	291 (0.6 divisions per kc)	12810	11	601 (0.6 divisions per kc)	13320	11	917 (0.6 divisions per kc)	13810	11	1217 (0.6 divisions per kc)
12320	11	297 (0.6 divisions per kc)	12820	11	607 (0.6 divisions per kc)	13330	11	923 (0.6 divisions per kc)	13820	11	1223 (0.6 divisions per kc)
12330	11	303 (0.6 divisions per kc)	12830	11	613 (0.6 divisions per kc)	13340	11	929 (0.6 divisions per kc)	13830	11	1229 (0.6 divisions per kc)
12340	11	309 (0.6 divisions per kc)	12840	11	620 (0.6 divisions per kc)	13350	11	935 (0.6 divisions per kc)	13840	11	1235 (0.6 divisions per kc)
12350	11	315 (0.6 divisions per kc)	12850	11	626 (0.6 divisions per kc)	13360	11	941 (0.6 divisions per kc)	13850	11	1241 (0.6 divisions per kc)
12360	11	322 (0.6 divisions per kc)	12860	11	632 (0.6 divisions per kc)	13370	11	947 (0.6 divisions per kc)	13860	11	1247 (0.6 divisions per kc)
12370	11	328 (0.6 divisions per kc)	12870	11	638 (0.6 divisions per kc)	13380	11	954 (0.6 divisions per kc)	13870	11	1253 (0.6 divisions per kc)
12380	11	334 (0.6 divisions per kc)	12880	11	644 (0.6 divisions per kc)	13390	11	960 (0.6 divisions per kc)	13880	11	1259 (0.6 divisions per kc)
12390	11	340 (0.6 divisions per kc)	12890	11	650 (0.6 divisions per kc)	13400	11	966 (0.6 divisions per kc)	13890	11	1266 (0.6 divisions per kc)
12400	11	346 (0.6 divisions per kc)	12900	11	657 (0.6 divisions per kc)				13900	11	1272 (0.6 divisions per kc)
12410	11	352 (0.6 divisions per kc)	12910	11	663 (0.6 divisions per kc)	13410	11	972 (0.6 divisions per kc)	13910	11	1278 (0.6 divisions per kc)
12420	11	359 (0.6 divisions per kc)	12920	11	669 (0.6 divisions per kc)	13420	11	980 (0.6 divisions per kc)	13920	11	1284 (0.6 divisions per kc)
12430	11	365 (0.6 divisions per kc)	12930	11	675 (0.6 divisions per kc)	13430	11	986 (0.6 divisions per kc)	13930	11	1290 (0.6 divisions per kc)
12440	11	371 (0.6 divisions per kc)	12940	11	681 (0.6 divisions per kc)	13440	11	991 (0.6 divisions per kc)	13940	11	1296 (0.6 divisions per kc)
12450	11	377 (0.6 divisions per kc)	12950	11	687 (0.6 divisions per kc)	13450	11	997 (0.6 divisions per kc)	13950	11	1302 (0.6 divisions per kc)
12460	11	383 (0.6 divisions per kc)	12960	11	693 (0.6 divisions per kc)	13460	11	1003 (0.6 divisions per kc)	13960	11	1308 (0.6 divisions per kc)
12470	11	389 (0.6 divisions per kc)	12970	11	699 (0.6 divisions per kc)	13470	11	1009 (0.6 divisions per kc)	13970	11	1314 (0.6 divisions per kc)
12480	11	396 (0.6 divisions per kc)	12980	11	706 (0.6 divisions per kc)	13480	11	1015 (0.6 divisions per kc)	13980	11	1321 (0.6 divisions per kc)
12490	11	402 (0.6 divisions per kc)	12990	11	713 (0.6 divisions per kc)	13490	11	1021 (0.6 divisions per kc)	13990	11	1327 (0.6 divisions per kc)
12500	11	408 (0.6 divisions per kc)	13000	11	719 (0.6 divisions per kc)	13500	11	1027 (0.6 divisions per kc)	14000	11	1333 (0.6 divisions per kc)
12600	11	470				13600	11	1089			

Use nearest check point shown in heavy type.

AN 08-30 ART 13-3

TABLE 5-5. CALIBRATION OF TRANSMITTER T-47A/ART-13 OR T-47/ART-13 WHEN MCW-CFI 8Q-1 UNIT IS USED (Continued)

14,000 Kc to 16,000 Kc

Freq.	A	B	Freq.	A	B	Freq.	A	B	Freq.	A	B
13800	11	1211	14400	12	060	15000	12	366	15500	12	623
14000	11	1333	14500	12	111	15010	12	371	15510	12	628
14010	11	1339	14510	12	116	15020	12	376	15520	12	633
14020	11	1345	14520	12	121	15030	12	381	15530	12	638
14030	11	1351	14530	12	126	15040	12	386	15540	12	644
14040	11	1357	14540	12	131	15050	12	391	15550	12	649
14050	11	1363	14550	12	137	15060	12	397	15560	12	654
14060	11	1369	14560	12	142	15070	12	402	15570	12	659
14070	11	1376	14570	12	147	15080	12	407	15580	12	664
14080	11	1382	14580	12	152	15090	12	412	15590	12	669
14090	11	1388	14590	12	157	15100	12	417	15600	12	674
14100	11	1394	14600	12	162				15610	12	679
			14610	12	168	15110	12	422	15620	12	684
14110	11	1400	14620	12	173	15120	12	427	15630	12	689
14120	11	1406	14630	12	178	15130	12	432	15640	12	694
14130	11	1412	14640	12	183	15140	12	437	15650	12	699
14140	11	1418	14650	12	188	15150	12	443	15660	12	705
14150	11	1424	14660	12	193	15160	12	448	15670	12	710
14160	11	1430	14670	12	198	15170	12	453	15680	12	715
14170	11	1436	14680	12	203	15180	12	458	15690	12	721
14180	11	1442	14690	12	208	15190	12	463	15700	12	726
14190	11	1449	14700	12	213	15200	12	469	15710	12	731
14200	11	1455	14710	12	218	15210	12	474	15720	12	736
14210	11	1461	14720	12	223	15220	12	479	15730	12	741
14220	11	1468	14730	12	228	15230	12	484	15740	12	746
14230	11	1474	14740	12	233	15240	12	489	15750	12	752
14240	11	1480	14750	12	238	15250	12	494	15760	12	757
14250	11	1486				15260	12	499	15770	12	762
14260	11	1492	14760	12	243	15270	12	505	15780	12	767
14270	11	1498	14770	12	248	15280	12	510	15790	12	772
14280	11	1504	14780	12	253	15290	12	515	15800	12	777
14290	11	1510	14790	12	259	15300	12	520			
14300	11	1516	14800	12	264	15310	12	525	15810	12	782
14310	11	1523	14810	12	269	15320	12	530	15820	12	787
14320	11	1529	14820	12	274	15330	12	535	15830	12	792
14330	11	1535	14830	12	279	15340	12	540	15840	12	797
14340	11	1541	14840	12	284	15350	12	545	15850	12	802
14350	11	1547	14850	12	290	15360	12	551	15860	12	807
14360	11	1553	14860	12	295	15370	12	556	15870	12	813
14370	11	1560	14870	12	300	15380	12	561	15880	12	818
14380	11	1566	14880	12	305	15390	12	567	15890	12	823
14390	11	1572	14890	12	310	15400	12	572	15900	12	828
14400	11	1578	14900	12	315				15910	12	833
			14910	12	320	15410	12	577	15920	12	838
14400	12	060	14920	12	325	15420	12	582	15930	12	844
14410	12	065	14930	12	330	15430	12	587	15940	12	849
14420	12	070	14940	12	335	15440	12	592	15950	12	854
14430	12	076	14950	12	340	15450	12	597	15960	12	859
14440	12	081	14960	12	345	15460	12	602	15970	12	864
14450	12	086	14970	12	351	15470	12	607	15980	12	869
14460	12	091	14980	12	356	15480	12	613	15990	12	874
14470	12	096	14990	12	361	15490	12	618	16000	12	879
14480	12	101	15000	12	366	15500	12	623			
14490	12	106				15600	12	674			
14500	12	111									

Use nearest check point shown in heavy type.

SECTION V

AN 08-30 ART 13-3

TABLE 5-5. CALIBRATION OF TRANSMITTER T-47A/ART-13 OR T-47/ART-13 WHEN MCW-CFI 8Q-1 UNIT IS USED (Continued)

16,000 Kc to 18,100 Kc

Freq.	A	G	Freq.	A	G	Freq.	A	G	Freq.	A	G
16000	12	879	16500	12	1133	16800	12	1285	17550	12	1668
16010	12	884	16510	12	1138	17000	12	1386	17560	12	1673
16020	12	890	16520	12	1143	17010	12	1391	17570	12	1678
16030	12	895	16530	12	1148	17020	12	1396	17580	12	1683
16040	12	900	16540	12	1153	17030	12	1401	17590	12	1688
16050	12	905	16550	12	1158	17040	12	1406	17600	12	1694
16060	12	910	16560	12	1163	17050	12	1411	17610	12	1699
16070	12	915	16570	12	1168	17060	12	1416	17620	12	1704
16080	12	920	16580	12	1173	17070	12	1421	17630	12	1709
16090	12	925	16590	12	1179	17080	12	1426	17640	12	1715
16100	12	930	16600	12	1184	17090	12	1431	17650	12	1720
			16610	12	1189	17100	12	1436	17660	12	1725
16110	12	935	16620	12	1194				17670	12	1731
16120	12	940	16630	12	1199	17110	12	1441	17680	12	1736
16130	12	945	16640	12	1204	17120	12	1446	17690	12	1742
16140	12	951	16650	12	1209	17130	12	1452	17700	12	1747
16150	12	956	16660	12	1214	17140	12	1457	17710	12	1752
16160	12	961	16670	12	1219	17150	12	1462	17720	12	1757
16170	12	966	16680	12	1224	17160	12	1467	17730	12	1763
16180	12	971	16690	12	1229	17170	12	1472	17740	12	1768
16190	12	976	16700	12	1234	17180	12	1477	17750	12	1773
16200	12	981	16710	12	1239	17190	12	1482	17760	12	1779
16210	12	986	16720	12	1244	17200	12	1487	17770	12	1784
16220	12	991	16730	12	1249	17210	12	1492	17780	12	1789
16230	12	996	16740	12	1254	17220	12	1498	17790	12	1795
16240	12	1001	16750	12	1259	17230	12	1503	17800	12	1800
16250	12	1006	16760	12	1264	17240	12	1508			
16260	12	1012	16770	12	1270	17250	12	1513	17810	12	1805
16270	12	1017	16780	12	1275	17260	12	1518	17820	12	1811
16280	12	1022	16790	12	1280	17270	12	1523	17830	12	1816
16290	12	1027	16800	12	1285	17280	12	1528	17840	12	1821
16300	12	1032	16810	12	1290	17290	12	1533	17850	12	1827
16310	12	1037	16820	12	1295	17300	12	1538	17860	12	1832
16320	12	1042	16830	12	1300	17310	12	1544	17870	12	1837
16330	12	1047	16840	12	1305	17320	12	1549	17880	12	1843
16340	12	1052	16850	12	1310	17330	12	1554	17890	12	1848
16350	12	1057	16860	12	1315	17340	12	1559	17900	12	1854
16360	12	1062	16870	12	1320	17350	12	1564	17910	12	1860
16370	12	1067	16880	12	1325	17360	12	1569	17920	12	1865
16380	12	1073	16890	12	1330	17370	12	1574	17930	12	1871
16390	12	1078	16900	12	1335	17380	12	1579	17940	12	1877
16400	12	1083	16910	12	1340	17390	12	1584	17950	12	1882
16410	12	1088	16920	12	1345	17400	12	1590	17960	12	1888
16420	12	1093	16930	12	1350	17410	12	1595	17970	12	1893
16430	12	1098	16940	12	1355	17420	12	1600	17980	12	1898
16440	12	1103	16950	12	1361	17430	12	1605	17990	12	1904
16450	12	1108	16960	12	1366	17440	12	1610	18000	12	1910
16460	12	1113	16970	12	1371	17450	12	1615	18010	12	1915
16470	12	1118	16980	12	1376	17460	12	1621	18020	12	1921
16480	12	1123	16990	12	1381	17470	12	1626	18030	12	1927
16490	12	1128	17000	12	1386	17480	12	1631	18040	12	1933
16500	12	1133				17490	12	1636	18050	12	1939
						17500	12	1641	18060	12	1944
									18070	12	1949
						17510	12	1647	18080	12	1955
						17520	12	1653	18090	12	1961
						17530	12	1658	18100	12	1966
						17540	12	1663			
						17550	12	1668			
						17600	12	1694			

Use nearest check point shown in heavy type.

TABLE 5-6

**CALIBRATION OF OSCILLATOR 0-16/ART-13
WHEN MCW-CFI 8Q-1 UNIT IS USED**

200 Kc to 1500 Kc

SECTION V

AN 08-30 ART 13-3

TABLE 5-6. CALIBRATION OF OSCILLATOR 0-16/ART-13 WHEN MCW-CFI 8Q-1 UNIT IS USED
200 Kc to 750 Kc

Freq.	A	F	G	Freq.	A	F	G	Freq.	A	F	G	Freq.	A	F	G
200	13	1	393	300	13	2	1114	400	13	3	1090	500	13	4	518
202	13	1	469	302	13	2	1153	402	13	3	1120	505	13	4	565
204	13	1	540	304	13	2	1192	404	13	3	1148	510	13	4	609
206	13	1	609	306	13	2	1229	406	13	3	1177	515	13	4	654
208	13	1	676	308	13	2	1266	408	13	3	1205				(9 divisions per kc)
210	13	1	739	310	13	2	1302	410	13	3	1233	520	13	4	697
212	13	1	801	312	13	2	1338	412	13	3	1260	525	13	4	739
214	13	1	861	314	13	2	1373	414	13	3	1288	530	13	4	781
216	13	1	919	316	13	2	1407	416	13	3	1314	533	13	4	808
218	13	1	976					418	13	3	1341	535	13	4	821
220	13	1	1030	318	13	2	1442	420	13	3	1368	540	13	4	862
				320	13	2	1476	422	13	3	1394	545	13	4	901
222	13	1	1084	322	13	2	1508	424	13	3	1419	550	13	4	940
224	13	1	1136	324	13	2	1542	426	13	3	1445	555	13	4	978
226	13	1	1187	326	13	2	1574	428	13	3	1470	560	13	4	1016
228	13	1	1237	328	13	2	1606	430	13	3	1495	565	13	4	1053
230	13	1	1286	330	13	2	1638	432	13	3	1519				
232	13	1	1334	332	13	2	1670					570	13	4	1090
234	13	1	1381	333	13	1	1691	434	13	3	1544	575	13	4	1127
236	13	1	1426	334	13	2	1701	436	13	3	1569	580	13	4	1163
238	13	1	1472	336	13	2	1732	438	13	3	1593	585	13	4	1198
240	13	1	1515	338	13	2	1763	440	13	3	1616	590	13	4	1234
242	13	1	1560	340	13	2	1793	442	13	3	1641	595	13	4	1270
244	13	1	1603					444	13	3	1665	600	13	4	1304
				342	13	2	1823	446	13	3	1688	605	13	4	1340
246	13	1	1646	344	13	2	1854	448	13	3	1710	610	13	4	1375
248	13	1	1688	346	13	2	1883	450	13	3	1734	615	13	4	1408
250	13	1	1729	348	13	2	1912	452	13	3	1757	620	13	4	1444
252	13	1	1770	350	13	2	1942	454	13	3	1780	625	13	4	1479
254	13	1	1810	352	13	2	1971	456	13	3	1802	630	13	4	1512
256	13	1	1851	354	13	2	2000	458	13	3	1825				
258	13	1	1890	356	13	2	2028	460	13	3	1847	635	13	4	1548
260	13	1	1929					462	13	3	1870	640	13	4	1584
262	13	1	1968	350	13	3	154	464	13	3	1892	645	13	4	1618
				352	13	3	205	466	13	3	1912	650	13	4	1655
262	13	2	175	354	13	3	255	467	13	3	1921	655	13	4	1691
264	13	2	242	356	13	3	302	468	13	3	1936	660	13	4	1728
266	13	2	305	358	13	3	347	470	13	3	1958	665	13	4	1766
267	13	2	325	360	13	3	392	472	13	3	1980	667	13	4	1779
268	13	2	366	362	13	3	434	474	13	3	2001	670	13	4	1804
270	13	2	423	364	13	3	476	476	13	3	2022	675	13	4	1845
272	13	2	480	366	13	3	515				680	13	4	1886	
274	13	2	533	368	13	3	555	467	13	4	176				
276	13	2	585	370	13	3	593	468	13	4	191	685	13	4	1928
278	13	2	635	372	13	3	631	470	13	4	213	690	13	4	1976
280	13	2	684	374	13	3	668	472	13	4	235	695	13	4	2023
282	13	2	731					474	13	4	257				
				376	13	3	704	476	13	4	279	695	13	5	156
284	13	2	778	378	13	3	739	478	13	4	300	700	13	5	195
286	13	2	823	380	13	3	774	480	13	4	321	705	13	5	231
288	13	2	868	382	13	3	808	482	13	4	342	710	13	5	269
290	13	2	911	384	13	3	841				715	13	6	303	
292	13	2	953	386	13	3	874	484	13	4	363	720	13	5	338
294	13	2	995	388	13	3	906	486	13	4	383	725	13	5	373
296	13	2	1035	390	13	3	938	488	13	4	402	730	13	5	406
298	13	2	1075	392	13	3	970	490	13	4	422	733	13	5	427
300	13	2	1114	394	13	3	1000	492	13	4	442	735	13	5	438
				396	13	3	1030	494	13	4	462	740	13	5	471
				398	13	3	1061	496	13	4	481	745	13	5	502
				400	13	3	1090	498	13	4	499	750	13	5	533
								500	13	4	518				

Use nearest check point shown in heavy type.

AN 08-30 ART 13-3

TABLE 5-6. CALIBRATION OF OSCILLATOR 0-16/ART-13 WHEN MCW-CFI 8Q-1 UNIT IS USED (Continued)

750 Kc to 1500 Kc

Freq.	A	F	G	Freq.	A	F	G	Freq.	A	F	G
750	13	5	533	1000	13	5	1795	1250	13	6	1016
755	13	5	565	1005	13	5	1822	1255	13	6	1032
760	13	5	594	1010	13	5	1850	1260	13	6	1050
765	13	5	624 (6 div. per kc)	1015	13	5	1878	1265	13	6	1067
770	13	5	654 (6 div. per kc)	1020	13	5	1905	1267	13	6	1073
				1025	13	5	1935	1270	13	6	1084
775	13	5	683	1030	13	5	1966 (5.3 divisions per kc)	1275	13	6	1100
780	13	5	711	1035	13	5	1998 (5.3 divisions per kc)	1280	13	6	1116 (3.3 divisions per kc)
785	13	5	739								
790	13	5	768	1035	13	6	145	1285	13	6	1132
795	13	5	795 (6 div. per kc)	1040	13	6	171	1290	13	6	1149
800	13	5	821	1045	13	6	196	1295	13	6	1166
805	13	5	849 (5.5 div. per kc)	1050	13	6	219	1300	13	6	1182
810	13	5	876 (5.5 div. per kc)	1055	13	6	244 (4.7 divisions per kc)	1305	13	6	1198
815	13	5	901 (5.5 div. per kc)					1310	13	6	1214
820	13	5	927	1060	13	6	270	1315	13	6	1230
825	13	5	953	1065	13	6	293	1320	13	6	1246
830	13	5	979	1067	13	6	300	1325	13	6	1262 (3.2 divisions per kc)
				1070	13	6	315	1330	13	6	1278
835	13	5	1004	1075	13	6	338 (4.5 div. per kc)	1335	13	6	1294 (3.2 divisions per kc)
840	13	5	1029	1080	13	6	363 (4.5 div. per kc)	1340	13	6	1309
845	13	5	1054 (6 div. per kc)					1345	13	6	1325
850	13	5	1079 (6 div. per kc)	1085	13	6	385	1350	13	6	1341
855	13	5	1103 (6 div. per kc)	1090	13	6	407				
860	13	5	1127 (6 div. per kc)	1095	13	6	428	1355	13	6	1358
865	13	5	1152 (4.8 divisions per kc)	1100	13	6	451	1360	13	6	1374
867	13	5	1160	1105	13	6	473 (4.8 div. per kc)	1365	13	6	1389
870	13	5	1176 (4.8 divisions per kc)	1110	13	6	493 (4.3 div. per kc)	1370	13	6	1404
875	13	5	1199	1115	13	6	514 (4.3 div. per kc)	1375	13	6	1419
880	13	5	1223					1380	13	6	1436
				1120	13	6	534	1385	13	6	1452
885	13	5	1247 (4.6 divisions per kc)	1125	13	6	556 (4.6 div. per kc)	1390	13	6	1468
890	13	5	1270 (4.6 divisions per kc)	1130	13	6	576 (4.6 div. per kc)	1395	13	6	1484
895	13	5	1294 (4.6 divisions per kc)	1133	13	6	589	1400	13	6	1499
900	13	5	1317	1135	13	6	596 (4.6 div. per kc)	1405	13	6	1514 (3.2 divisions per kc)
905	13	5	1341 (4.6 divisions per kc)					1410	13	6	1530
910	13	5	1364 (4.6 divisions per kc)	1140	13	6	615	1415	13	6	1547
915	13	5	1387 (4.6 divisions per kc)	1145	13	6	635	1420	13	6	1563
				1150	13	6	656	1425	13	6	1580
920	13	5	1410	1155	13	6	675 (3.9 div. per kc)	1430	13	6	1595
925	13	5	1433 (3.9 div. per kc)	1160	13	6	694				
930	13	5	1457 (3.9 div. per kc)	1165	13	6	712 (3.9 div. per kc)	1435	13	6	1611
933	13	5	1473	1170	13	6	731 (3.9 div. per kc)	1440	13	6	1627
935	13	5	1480 (3.9 divisions per kc)	1175	13	6	751	1445	13	6	1644
940	13	5	1503 (3.9 divisions per kc)					1450	13	6	1661
945	13	5	1526 (3.9 divisions per kc)	1180	13	6	770	1455	13	6	1678
950	13	5	1550 (3.9 divisions per kc)	1185	13	6	788	1460	13	6	1694
955	13	5	1574 (3.9 divisions per kc)	1190	13	6	806	1465	13	6	1710
960	13	5	1597	1195	13	6	823 (3.4 div. per kc)	1467	13	6	1715
				1200	13	6	842	1470	13	6	1727 (3.4 divisions per kc)
965	13	5	1621	1205	13	6	860 (3.4 div. per kc)	1475	13	6	1744
970	13	5	1645 (3.4 div. per kc)	1210	13	6	878 (3.4 div. per kc)	1480	13	6	1763
975	13	5	1670 (3.4 div. per kc)	1215	13	6	895 (3.4 div. per kc)				
980	13	5	1694 (3.4 div. per kc)	1220	13	6	918 (3.4 div. per kc)	1485	13	6	1780
985	13	5	1718 (3.4 div. per kc)	1225	13	6	930	1490	13	6	1797
990	13	5	1744 (3.4 div. per kc)	1230	13	6	948	1495	13	6	1813
995	13	5	1770					1500	13	6	1832
1000	13	5	1795	1235	13	6	966 (3.5 div. per kc)				(3.5 div. per kc)
				1240	13	6	983				
				1245	13	6	999				
				1250	13	6	1016				
				1267	13	6	1073				

Use nearest check point shown in heavy type.

TABLE 5-7

**CALIBRATION OF APPROXIMATE DIAL SETTINGS FOR ALL
RADIO TRANSMITTING SETS**

AN 08-30 ART 13-3

TABLE 5-7. CALIBRATION OF APPROXIMATE DIAL SETTINGS FOR ALL RADIO TRANSMITTING SETS

20 Ft. Antenna <i>Airplane and Antenna</i>				22.5 Ft. Antenna <i>Airplane and Antenna</i>			
Antenna Loading Unit				Antenna Loading Unit			
KC	P	Q	E	KC	P	Q	E
210	1	1	1	208	1	1	1
250	2	2	2	250	2	2	2
300	3	2	2	300	3	2	2
400	4	3	3	400	4	3	3
500	5	1	1	500	5	1	1
600	5	2	2	600	5	2	2
Transmitter				Transmitter			
KC	C	D	E	KC	C	D	E
3000	1-2	...	70	2800	1-2	...	70
3500	2-3	...	115	3000	1-2	...	70
4000	3-4	...	130	3500	2-3	...	120
5000	4-5	70	150	4000	3-4	...	130
6000	5-6	45	170	5000	4-5	90	150
8000	6-7	30	185	6000	5-6	60	160
10000	7	75	190	8000	6-7	40	185
11000	7	90	200	10000	7	80	200
11300	7	100	200	10500	11	77	200
11500	11	85	200	11000	11	64	66
12000	11	75	30	12000	11	65	150
13000	11	75	140	13000	11	68	165
14000	11	80	164	14000	11	75	180
15000	11	85	170	15000	11	80	180
16000	12	75	190	16000	12	75	200
18000	12	85	200	17000	13	60	175
				18000	13	65	185

This Table for Use Without Shunt Capacitor

30 Ft. Antenna <i>Airplane and Antenna</i>				32.5 Ft. Antenna <i>Airplane and Antenna</i>			
Antenna Loading Unit				Antenna Loading Unit			
KC	P	Q	E	KC	P	Q	E
200	1	1	1	200	1	1	1
250	2	3	3	250	2	3	3
300	3	4	4	300	3	4	4
400	4	4	4	400	5	1	1
500	5	1	1	500	5	2	2
600	5	2	2	600	5	2	2
Transmitter				Transmitter			
KC	C	D	E	KC	C	D	E
2500	1-2	...	20	2450	1-2	...	26
3000	3-4	...	70	3000	3	...	65
3500	4	...	95	3500	4-5	...	100
4000	4-5	...	120	4000	5	...	120
5000	5-6	...	145	5000	5-6	...	150
6000	6-7	...	165	6000	6-7	...	165
8000	7	95	180	8000	7	100	200
8500	7	100	200	9000	10	42	160
9000	10	48	130	10000	10	46	185
10000	10	50	170	11000	10	54	200
11000	10	55	200	12000	10	65	200
12000	10	63	200	13000	10	75	200
14000	10	82	200	14000	10	82	200
15000	10	92	200	14600	10	88	200
15600	10	98	200	16000	11	100	188
16000	11	90	200	16200	11	100	200
16600	11	98	200	16500	13	69	160
17000	13	45	188	17000	13	70	170
18000	13	70	188	18000	13	75	180

This Table for Use Without Shunt Capacitor

25 Ft. Antenna <i>Airplane and Antenna</i>				27.5 Ft. Antenna <i>Airplane and Antenna</i>			
Antenna Loading Unit				Antenna Loading Unit			
KC	P	Q	E	KC	P	Q	E
207	1	1	1	204	1	1	1
250	2	2	2	250	2	2	2
300	3	3	3	300	3	3	3
400	4	4	4	400	4	4	4
500	5	1	1	500	5	1	1
600	5	2	2	600	5	2	2
Transmitter				Transmitter			
KC	C	D	E	KC	C	D	E
2700	1-2	...	10	2600	1	...	0
3000	2-3	...	60	3000	2	...	75
3500	3-4	...	100	3500	3-4	...	110
4000	4-5	...	125	4000	4-5	...	130
5000	5-6	...	150	5000	6	...	150
6000	6	80	160	6000	6-7	...	165
8000	6-7	70	180	8000	7	70	190
9800	7	100	200	9100	7	100	200
10000	10	65	55	9500	10	57	80
11000	10	65	150	10000	10	55	110
12000	10	70	170	11000	10	60	175
14000	10	85	180	12000	10	65	185
15000	10	95	190	14000	10	80	195
16000	11	95	200	15500	10	100	195
17000	13	35	190	16500	11	95	200
18000	13	55	195	17000	13	45	190
				18000	13	60	195

This Table for Use Without Shunt Capacitor

35 Ft. Antenna <i>Airplane and Antenna</i>				40 Ft. Antenna <i>Airplane and Antenna</i>			
Antenna Loading Unit				Antenna Loading Unit			
KC	P	Q	E	KC	P	Q	E
200	1	1	1	200	1	1	2
250	2	4	4	250	3	1	1
300	3	4	4	300	4	1	1
400	5	1	1	400	5	1	1
500	5	2	2	500	5	2	2
600	5	3	3	600	5	3	3
Transmitter				Transmitter			
KC	C	D	E	KC	C	D	E
2400	1-2	...	0	2300	1-2	...	3
3000	3-4	...	70	2500	2-3	...	10
3500	4-5	...	100	3000	3-4	...	60
4000	5-6	...	120	3500	4-5	...	95
5000	6-7	...	145	4000	5-6	...	120
6000	7	...	160	5000	6-7	...	150
7000	7	...	180	6000	7	...	170
7600	7	100	200	6800	7	100	200
8000	8	75	40	7000	8	60	50
9000	8	85	62	8000	8	70	121
10000	8	100	100	9000	8	83	111
10400	8	100	126	10000	8	97	121
11000	11	52	200	10500	8	100	140
12000	11	62	200	11000	10	60	200
14000	11	77	200	12000	10	70	200
15000	11	86	200	14000	10	88	200
15700	11	100	190	14500	10	100	200
16000	13	66	152	15000	12	76	200
17000	13	84	142	16000	12	84	200
18000	13	100	154	17000	12	100	141
				18000	12	100	146

This Table for Use Without Shunt Capacitor

TABLE 5-7. CALIBRATION OF APPROXIMATE DIAL SETTINGS FOR ALL RADIO TRANSMITTING SETS (CONTINUED)

45 Ft. Antenna Airplane and Antenna				50 Ft. Antenna Airplane and Antenna			
<i>Antenna Loading Unit</i>				<i>Antenna Loading Unit</i>			
KC	P	Q		KC	P	Q	
200	1	3		200	2	1	
250	3	2		250	3	2	
300	4	1		300	4	2	
400	5	1		400	5	1	
500	5	2		500	5	2	
600	5	3		600	5	3	
<i>Transmitter</i>				<i>Transmitter</i>			
KC	C	D	E	KC	C	D	E
2200	1-2	...	0	2100	1-2	...	0
2500	2-3	...	20	2500	3-4	...	19
3000	4-5	...	62	3000	4-5	...	55
3500	5-6	...	90	3500	5-6	...	95
4000	6	...	120	4000	6-7	...	120
5000	7	...	155	5000	7	...	160
6000	7	100	175	5500	7	100	180
6100	7	100	185	6000	8	38	90
7000	8	59	106	7000	8	48	148
8000	8	69	129	8000	8	65	152
9000	8	85	106	9000	8	85	148
9800	8	100	90	10000	8	92	142
10000	10	53	200	11000	11	53	200
11000	10	64	200	12000	11	72	200
12000	10	73	200	13000	11	82	200
13000	10	83	200	14000	11	100	0
13740	10	100	182	15000	11	98	135
14000	12	70	200	16000	13	69	136
15000	12	82	92	17000	13	71	164
16000	12	85	125	18000	13	68	184
17000	12	87	164				
18000	12	86	195				

This Table for Use Without Shunt Capacitor

55 Ft. Antenna Airplane and Antenna				60 Ft. Antenna Airplane and Antenna			
<i>Antenna Loading Unit</i>				<i>Antenna Loading Unit</i>			
KC	P	Q		KC	P	Q	
200	2	1		200	2	2	
250	3	3		250	3	3	
300	4	2		300	4	2	
400	5	1		400	5	1	
500	5	2		500	5	2	
600	5	3		600	5	3	
<i>Transmitter</i>				<i>Transmitter</i>			
KC	C	D	E	KC	C	D	E
2000	1-2	...	0	2000	1-2	...	0
2500	3-4	...	15	2500	3-4	...	15
3000	4-5	...	45	3000	5-6	...	55
3500	5-6	...	100	3500	6-7	...	90
4000	6-7	...	130	4000	7	...	125
5000	7	100	168	4800	7	100	178
5170	7	100	181	5000	8	4	60
6000	8	35	126	6000	8	22	155
7000	8	51	152	7000	8	44	170
8000	8	64	160	8000	8	63	164
9000	8	81	136	9000	8	80	150
9700	8	100	106	9700	8	100	120
10000	9	68	195	10000	9	74	186
11000	9	87	171	10880	9	100	123
11500	9	100	165	11000	10	78	181
12000	10	90	161	11350	10	89	0
12200	10	100	82	12000	11	75	190
13000	12	62	133	13000	12	49	197
14000	12	63	183	15000	12	71	200
15000	12	68	200	17000	12	85	200
16000	13	45	169	18000	12	94	200
17000	13	62	177				
18000	13	72	185				

This Table for Use Without Shunt Capacitor

20 Ft. Antenna Airplane and Antenna				22.5 Ft. Antenna Airplane and Antenna			
<i>Transmitter with Three Sections of Shunt Capacitor</i>				<i>Transmitter with Three Sections of Shunt Capacitor</i>			
KC	C	D	E	KC	C	D	E
2100	1	...	0	2100	1	...	0
2500	3-4	...	0	2500	2-3	...	20
3000	4-5	...	30	3000	4-5	...	45
3500	5-6	...	62	3500	5-6	...	62
4000	6	...	65	4000	6	...	80
5000	6-7	...	102	5000	6-7	...	108
6000	7	50	118	6000	7	48	120
8000	7	72	146	7000	7	65	132
10000	7	90	168	8000	7	76	149
10500	7	100	174	10000	7	94	184
11000	10	94	200	10400	7	100	200
11300	10	100	200	10450	10	73	0
11600	11	75	0	11000	10	76	75
12000	11	75	80	12000	10	82	160
13000	11	80	142	13000	10	88	178
14000	11	86	180	14000	10	96	195
15000	11	92	200	14100	10	100	200
16000	13	66	185	14500	13	0	175
17000	13	84	190	15000	13	30	200
17700	13	100	200	16000	13	67	200
				17000	13	85	200
				17600	13	100	200

This Table for Use With Shunt Capacitor

25 Ft. Antenna Airplane and Antenna				27.5 Ft. Antenna Airplane and Antenna			
<i>Transmitter with Three Sections of Shunt Capacitor</i>				<i>Transmitter with Three Sections of Shunt Capacitor</i>			
KC	C	D	E	KC	C	D	E
2160	1-2	...	0	2130	1-2	...	0
2500	2-3	...	28	2500	2-3	...	20
3000	4-5	...	50	3000	4-5	...	44
3500	5-6	...	65	3500	5-6	...	65
4000	6-7	...	80	4000	6	...	85
5000	6-7	...	106	5000	6-7	...	116
6000	7	44	125	6000	7	52	138
7000	7	64	140	7000	7	65	154
9000	7	80	184	8000	7	75	174
9500	7	90	200	8800	7	86	200
10000	10	66	92	9000	10	59	40
11000	10	68	166	10000	10	62	156
12000	10	74	184	11000	10	63	191
13000	10	82	192	12000	10	75	200
14000	10	90	200	13000	10	84	200
14500	10	100	200	14000	10	92	200
15000	13	0	181	14400	10	100	200
16000	13	51	200	15000	11	94	200
17000	13	73	200	15600	11	100	200
18000	13	89	200	16000	13	56	200
				17000	13	76	200
				18000	13	90	200

This Table for Use With Shunt Capacitor

AN 08-30 ART 13-3

TABLE 5-7. CALIBRATION OF APPROXIMATE DIAL SETTINGS FOR ALL RADIO TRANSMITTING SETS (CONTINUED)

30 Ft. Antenna Airplane and Antenna				32.5 Ft. Antenna Airplane and Antenna				45 Ft. Antenna Airplane and Antenna			
<i>Transmitter with Three Sections of Shunt Capacitor</i>				<i>Transmitter with Two Sections of Shunt Capacitor</i>				<i>Transmitter with One Section of Shunt Capacitor</i>			
KC	C	D	E	KC	C	D	E	KC	C	D	E
2100	1		0	2100	1-2		0	2050	1-2		0
2500	2-3		30	2500	3-4		10	2500	3-4		33
3000	4-5		48	3000	4-5		44	3000	4-5		70
3500	5-6		64	3500	5-6		70	3500	5-6		111
4000	6		80	4000	6-7		90	4000	6		132
5000	6-7		121	5000	7		124	5000	7	43	160
6000	7	54	138	6000	7	55	144	5500	7	54	180
7000	7	71	152	7000	7	70	173	5800	7	60	200
8000	7	81	186	7790	7	90	200	6000	9	30	42
8350	7	100	200	8000	9	64	60	7000	9	42	138
8500	10	50	88	9000	9	69	112	8000	9	55	158
9000	10	52	138	10000	9	74	169	9000	9	67	165
10000	10	55	165	11000	9	81	179	10000	9	74	170
11000	10	66	200	12000	9	90	179	11000	9	83	173
12000	10	76	200	12500	9	100	180	12000	9	100	150
13000	10	85	200	13000	10	86	200	12200	9	100	173
13500	10	89	200	14000	10	95	200	13000	11	80	200
14000	10	93	200	14100	10	100	200	14000	11	91	158
14500	11	89	200	15000	11	94	203	14400	11	100	110
15000	11	93	200	15300	11	100	200	15000	12	82	75
15500	13	41	200	16000	13	60	200	16000	12	85	143
16000	13	58	200	17000	13	86	164	17000	12	89	174
17000	13	76	200	18000	13	100	185	18000	12	92	200
18000	13	91	200								

This Table for Use With Shunt Capacitor

This Table for Use With Shunt Capacitor

35 Ft. Antenna Airplane and Antenna				40 Ft. Antenna Airplane and Antenna			
<i>Transmitter with Two Sections of Shunt Capacitor</i>				<i>Transmitter with Two Sections of Shunt Capacitor</i>			
KC	C	D	E	KC	C	D	E
2150	1		0	2100	1-2		0
2500	2-3		22	2500	3-4		25
3000	4-5		60	3000	4-5		66
3500	5-6		85	3500	5-6		100
4000	6-7		110	4000	6-7		120
5000	7	32	128	5000	7	38	144
6000	7	56	156	6000	7	60	179
7000	7	75	184	6500	7	71	200
7435	7	95	200	7000	9	47	94
7500	9	58	49	8000	9	56	148
8000	9	60	112	9000	9	66	162
9000	9	67	142	10000	9	72	174
10000	9	72	160	11000	9	80	177
11000	9	80	176	12000	9	91	178
12000	9	88	178	12600	9	100	179
13000	9	100	181	13000	10	85	200
14000	10	90	200	14000	10	100	180
14600	10	100	200	14190	10	100	192
15000	13	0	178	14500	12	75	200
16000	13	70	156	15000	12	80	200
17000	13	90	130	16000	12	88	150
17700	13	100	146	17000	12	94	108
				18000	12	100	157

This Table for Use With Shunt Capacitor

**200 Foot Trailing Antenna
Any Type of Airplane**

Antenna Loading Unit		
KC	P	Q
200	3	3
250	4	2
300	5	1
400	5	2
500	5	3
600	5	3

There are no approximate settings for use with trailing antenna in high frequency range.

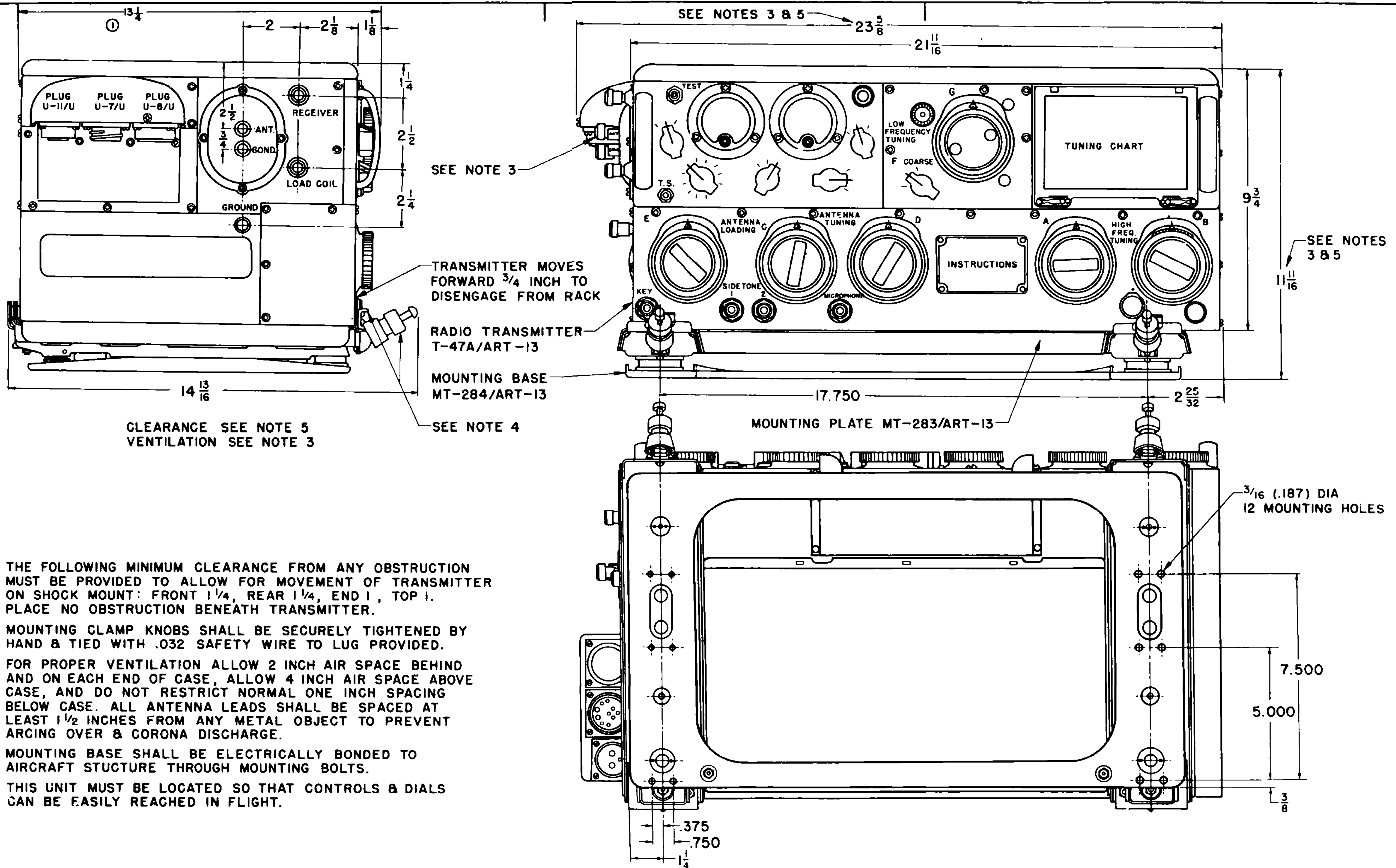
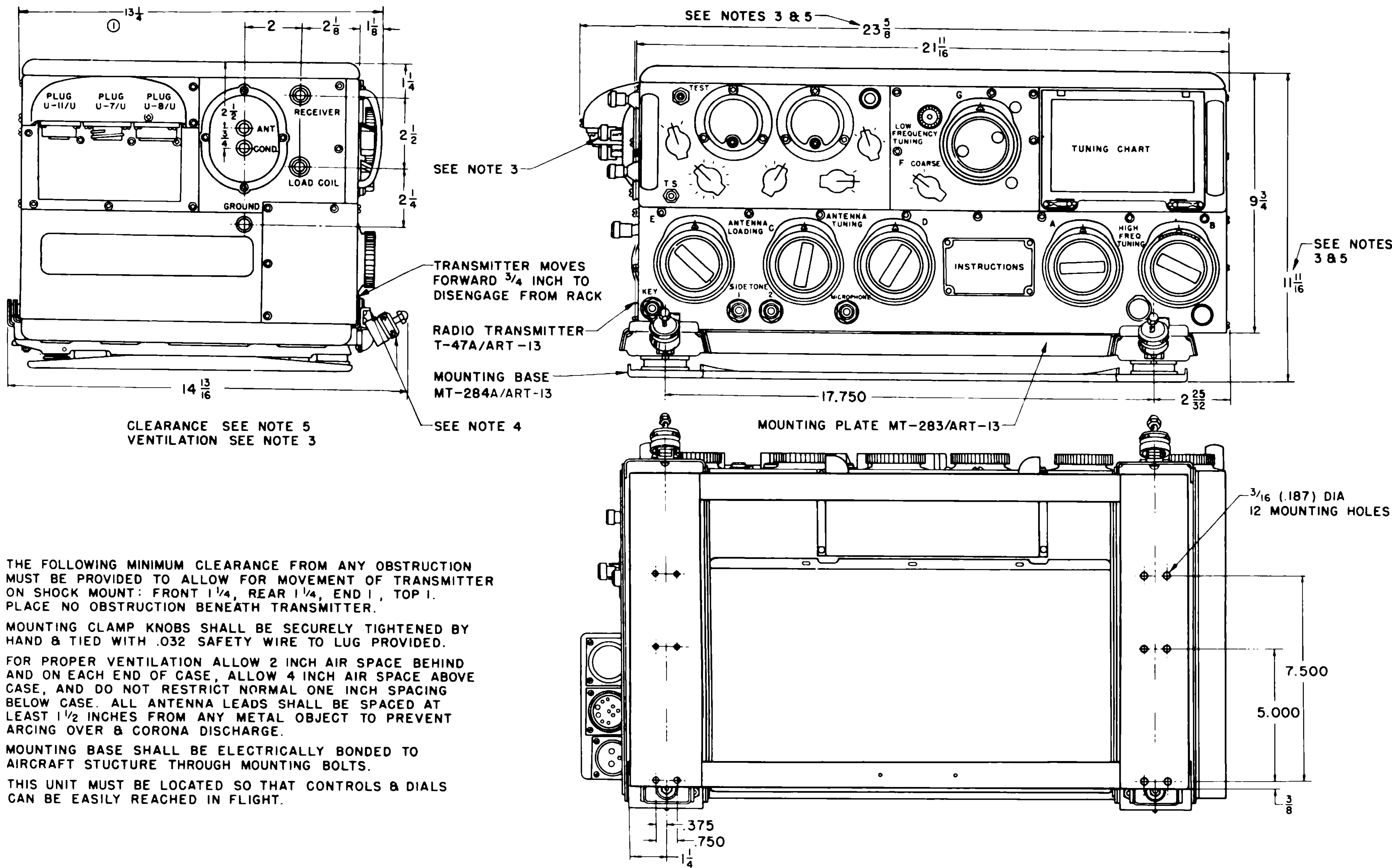
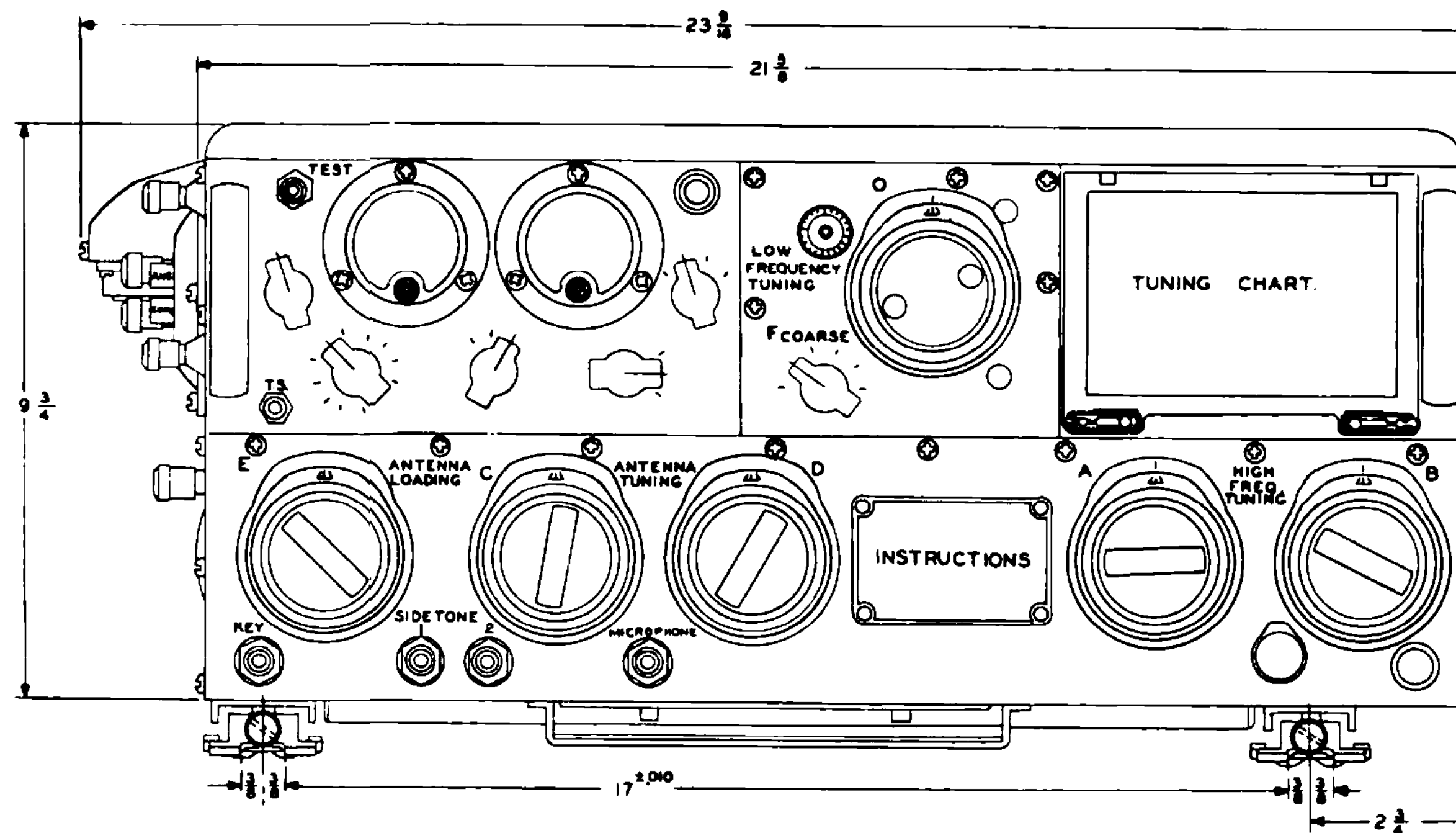
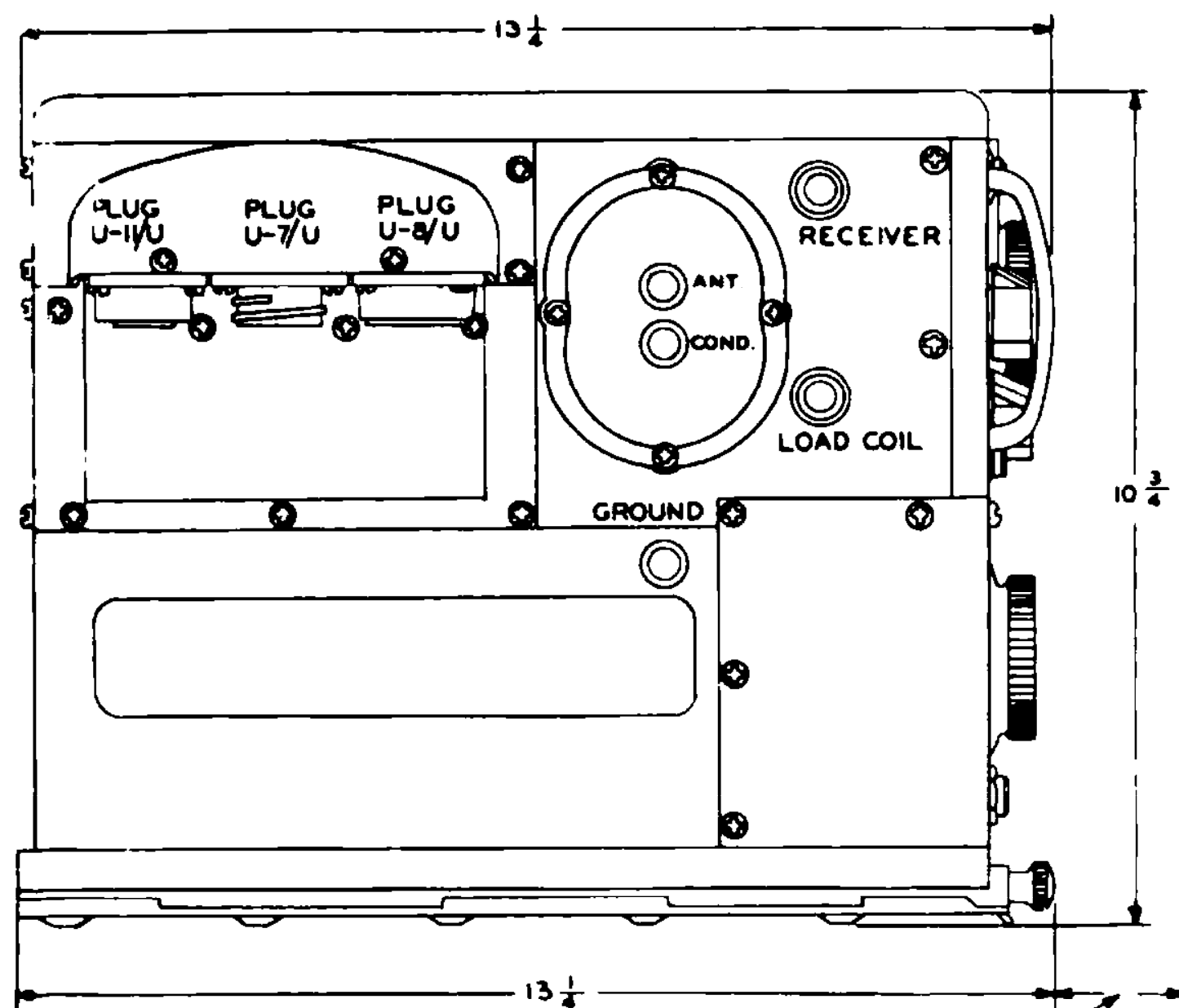


Figure 5-1—Radio Transmitter T-47A/ART-13—Outline Dimensions



5. THE FOLLOWING MINIMUM CLEARANCE FROM ANY OBSTRUCTION MUST BE PROVIDED TO ALLOW FOR MOVEMENT OF TRANSMITTER ON SHOCK MOUNT: FRONT 1 1/4, REAR 1 1/4, END 1, TOP 1. PLACE NO OBSTRUCTION BENEATH TRANSMITTER.
4. MOUNTING CLAMP KNOBS SHALL BE SECURELY TIGHTENED BY HAND & TIED WITH .032 SAFETY WIRE TO LUG PROVIDED.
3. FOR PROPER VENTILATION ALLOW 2 INCH AIR SPACE BEHIND AND ON EACH END OF CASE, ALLOW 4 INCH AIR SPACE ABOVE CASE, AND DO NOT RESTRICT NORMAL ONE INCH SPACING BELOW CASE. ALL ANTENNA LEADS SHALL BE SPACED AT LEAST 1 1/2 INCHES FROM ANY METAL OBJECT TO PREVENT ARCING OVER & CORONA DISCHARGE.
2. MOUNTING BASE SHALL BE ELECTRICALLY BONDED TO AIRCRAFT STRUCTURE THROUGH MOUNTING BOLTS.
1. THIS UNIT MUST BE LOCATED SO THAT CONTROLS & DIALS CAN BE EASILY REACHED IN FLIGHT.

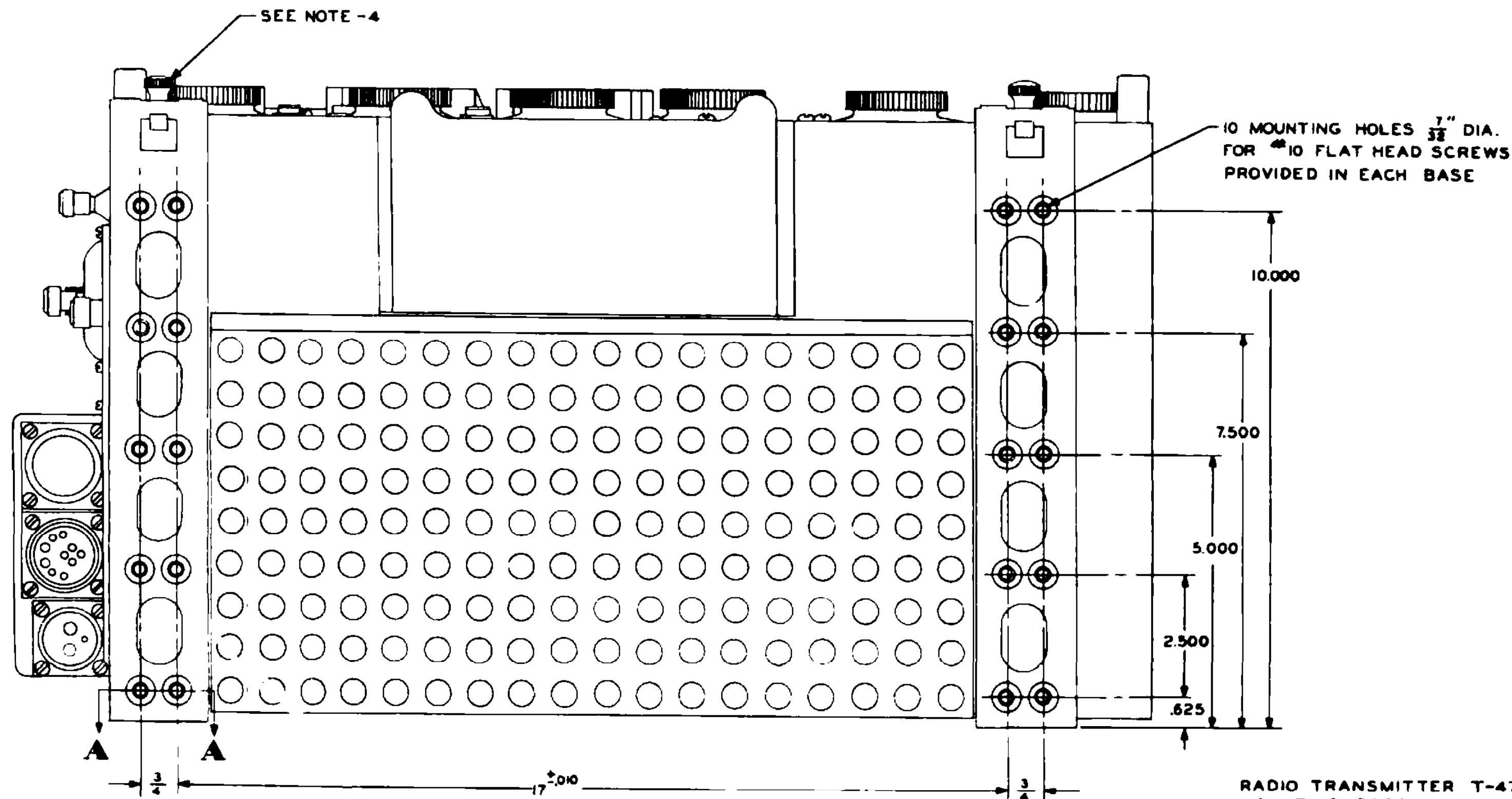
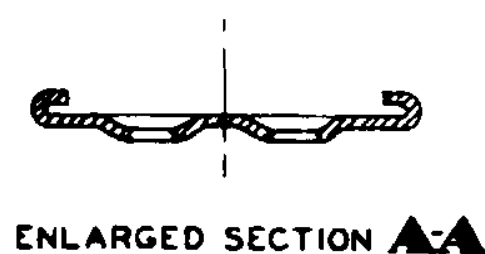
Figure 5-1A—Radio Transmitter T-47A/ART-13 and Mounting Base MT-284A/ART-13—Outline Dimensions



TRANSMITTER MOVES FORWARD 2 INCHES TO DISENGAGE FROM BASES

- 1-THESE UNIT MUST BE LOCATED SO THAT CONTROLS AND DIALS CAN BE EASILY REACHED AND READ IN FLIGHT.
- 2-TRACKS SHALL BE ELECTRICALLY BONDED TO AIRCRAFT STRUCTURE THROUGH MOUNTING FEET AND BOLTS.
- 3-FOR PROPER VENTILATION, ALLOW 2 INCH AIR SPACE BEHIND AND ON EACH END OF CASE, ALLOW 5 INCH AIR SPACE ABOVE CASE, AND DO NOT RESTRICT NORMAL 1 INCH SPACING BELOW CASE.
- 4-MOUNTING CLAMP KNOBS SHALL BE SECURELY TIGHTENED BY HAND AND TIED TO BASE WITH .032 DIAMETER SAFETY WIRE

WEIGHT 70 LBS. MAX.



RADIO TRANSMITTER T-47 /ART-13
MOUNTING BASES MT-161 /ART-13

Figure 5-2—Radio Transmitter T-47 /ART-13 (Navy Type 52286)—Outline Dimensions

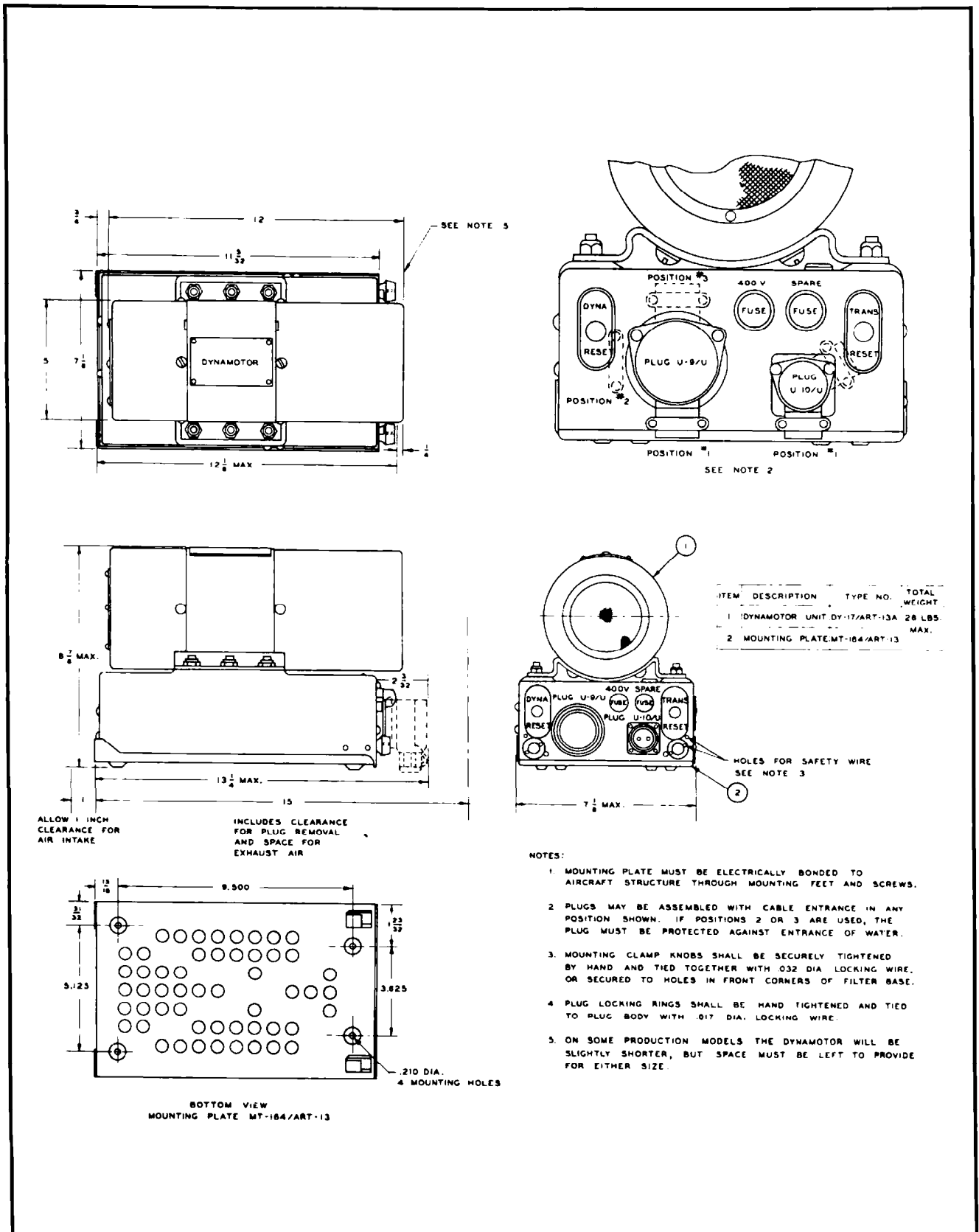
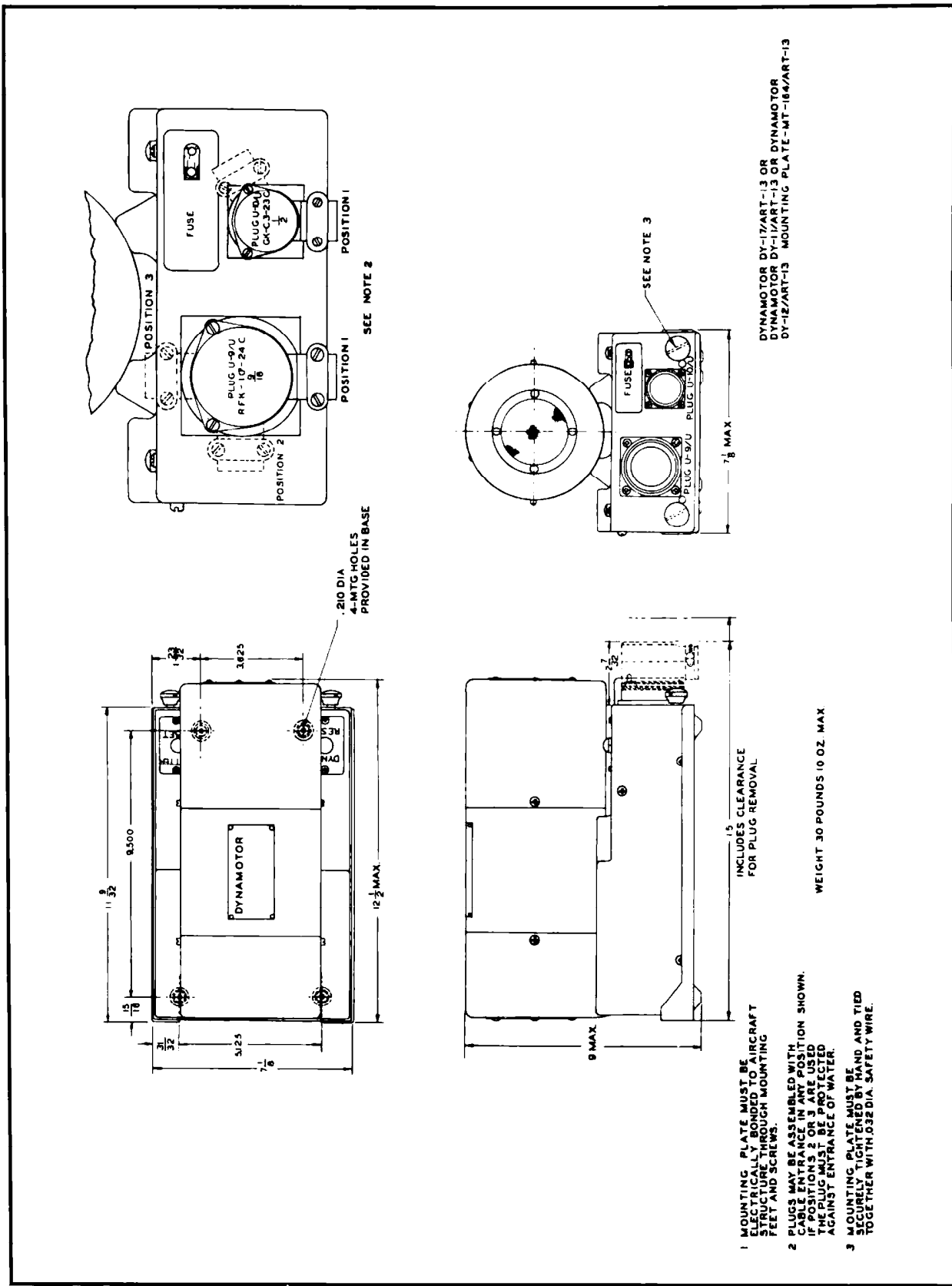


Figure 5-3—Dynamotor Unit DY-17/ART-13A—Outline Dimensions



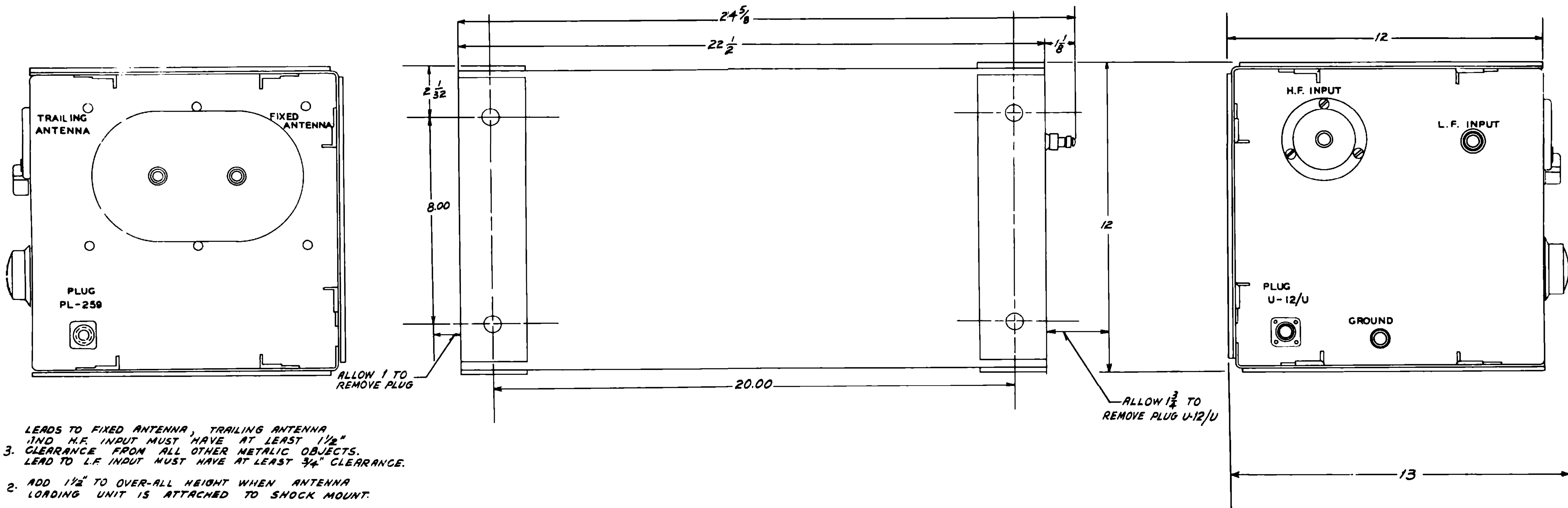
- 1 MOUNTING PLATE MUST BE ELECTRICALLY BONDED TO AIRCRAFT STRUCTURE THROUGH MOUNTING FEET AND SCREWS.
- 2 PLUGS MAY BE ASSEMBLED WITH CABLE ENTRANCE IN ANY POSITION SHOWN. IF POSITIONS 2 OR 3 ARE USED THE PLUG MUST BE PROTECTED AGAINST ENTRANCE OF WATER.
- 3 MOUNTING PLATE MUST BE SECURELY TIGHTENED BY HAND AND TIED TOGETHER WITH .032 DIA. SAFETY WIRE.

WEIGHT 30 POUNDS 10 OZ. MAX.

Figure 5-4—Dynamotor Unit DY-11/ART-13 (Navy Type -23333 Power Unit, with Dynamotor -21931) or Dynamotor Unit DY-12/ART-13 (Navy Type -23333 Power Unit with Dynamotor -21932)

AN 08-30 ART 13-3

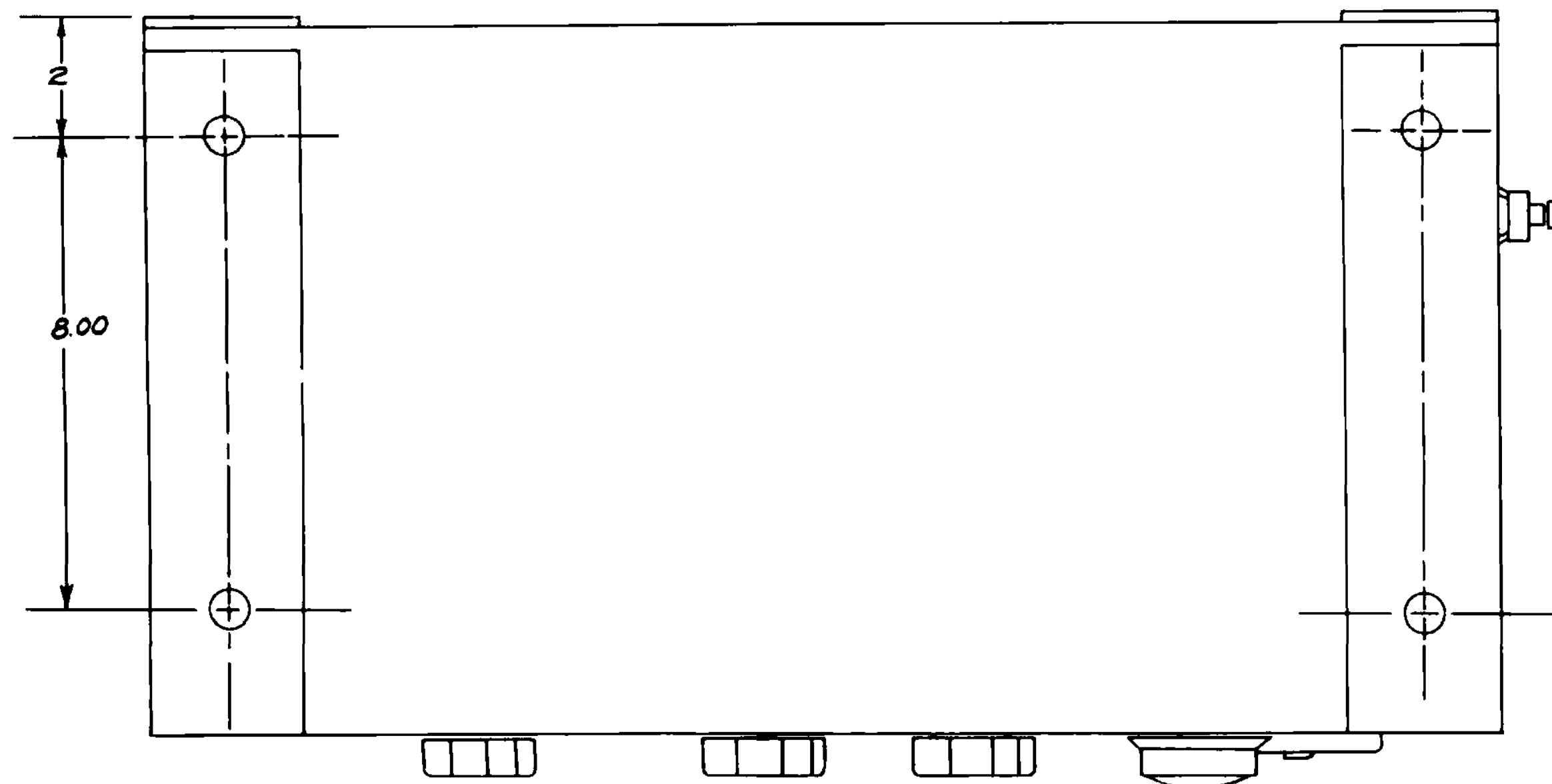
AN 08-30 ART 13-3



LEADS TO FIXED ANTENNA, TRAILING ANTENNA AND H.F. INPUT MUST HAVE AT LEAST $1\frac{1}{2}$ " CLEARANCE FROM ALL OTHER METALIC OBJECTS. LEAD TO L.F. INPUT MUST HAVE AT LEAST $\frac{3}{4}$ " CLEARANCE.

2. ADD $1\frac{1}{2}$ " TO OVER-ALL HEIGHT WHEN ANTENNA LOADING UNIT IS ATTACHED TO SHOCK MOUNT.

GOVERNMENT FURNISHED SHOCK MOUNTING MUST BE INSTALLED IN A HORIZONTAL PLANE. HOWEVER IT MAY BE INVERTED WITH THE ANTENNA LOADING UNIT BEING ATTACHED TO MOUNTING ON ANY ONE OF ITS THREE SIDES AND IS DESIGNED FOR OPERATION IN ANY POSITION.



WEIGHT 25.12 LBS

Figure 5-5—Antenna Loading Unit CU-32/ART-13A—Outline Dimensions (for Mounting Base MT-198/ART-13A see fig. 5-6)

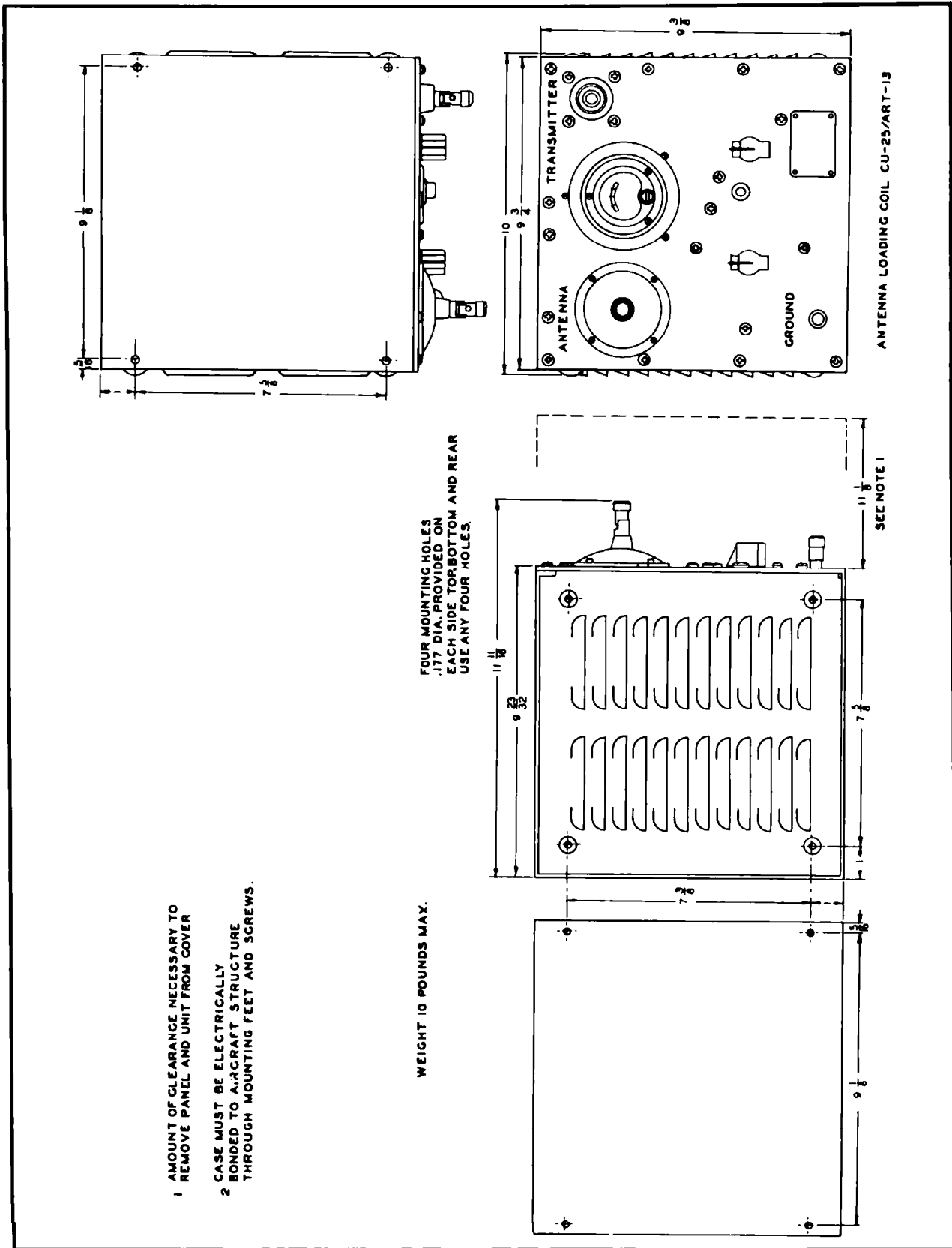


Figure 5-7—Antenna Loading Coil CU-25/ART-13 (Navy Type -47281)—Outline Dimensions

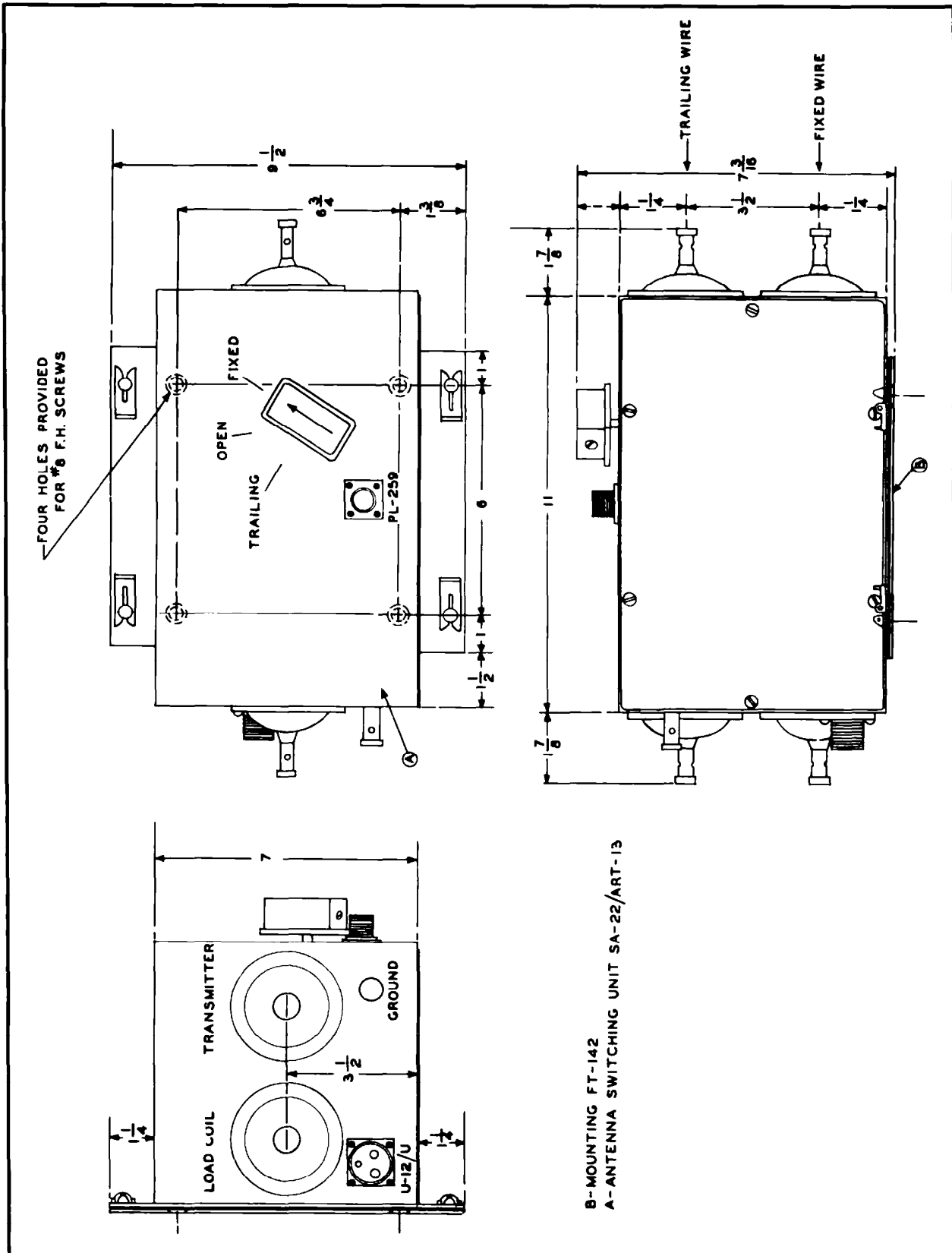


Figure 5-8—Antenna Switching Unit SA-22/ART-13—Outline Dimensions

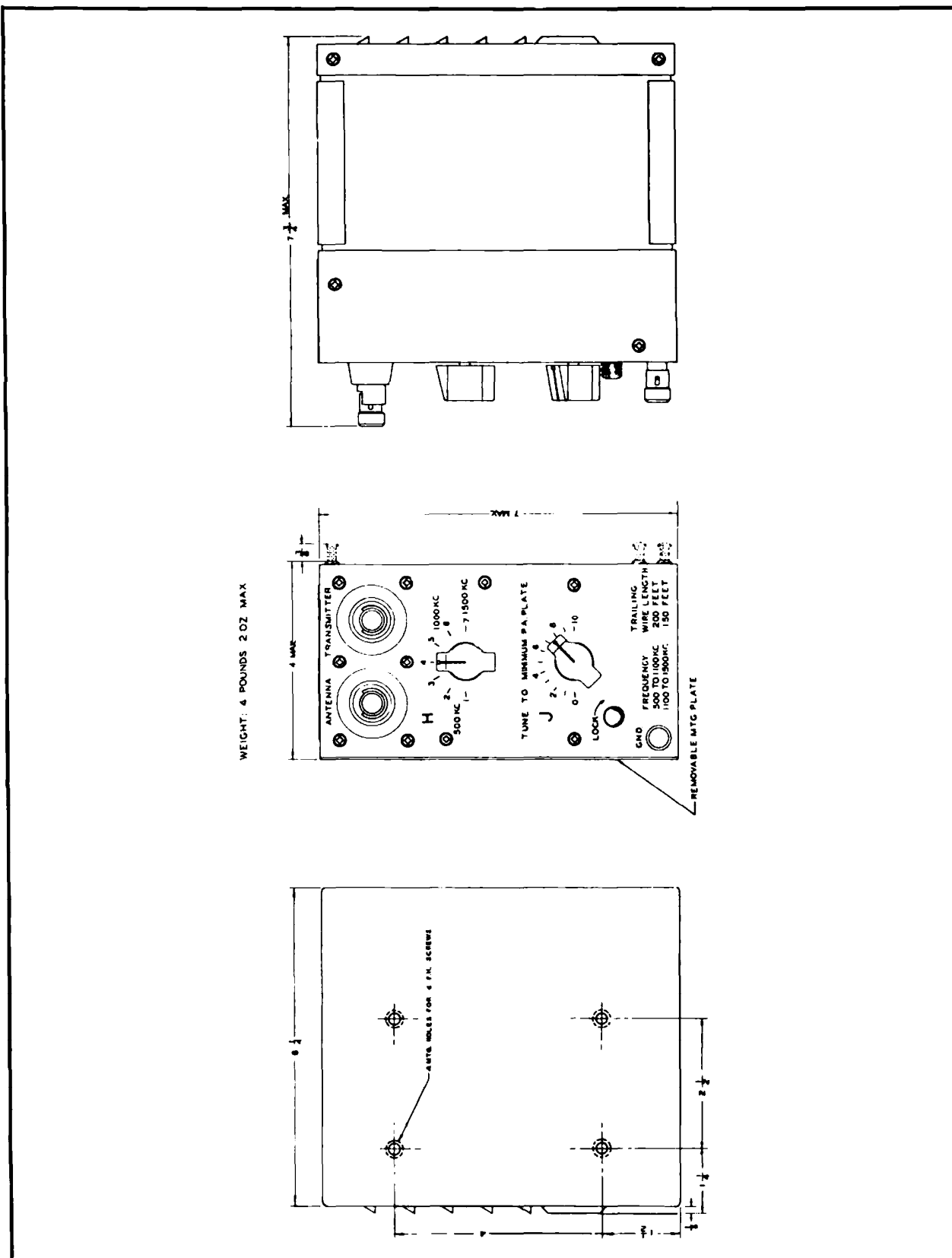


Figure 5-9—Antenna Loading Coil CU-26/ART-13 with Mounting Plate MT-162/ART-13 (Navy Type -47282)—Outline Dimensions

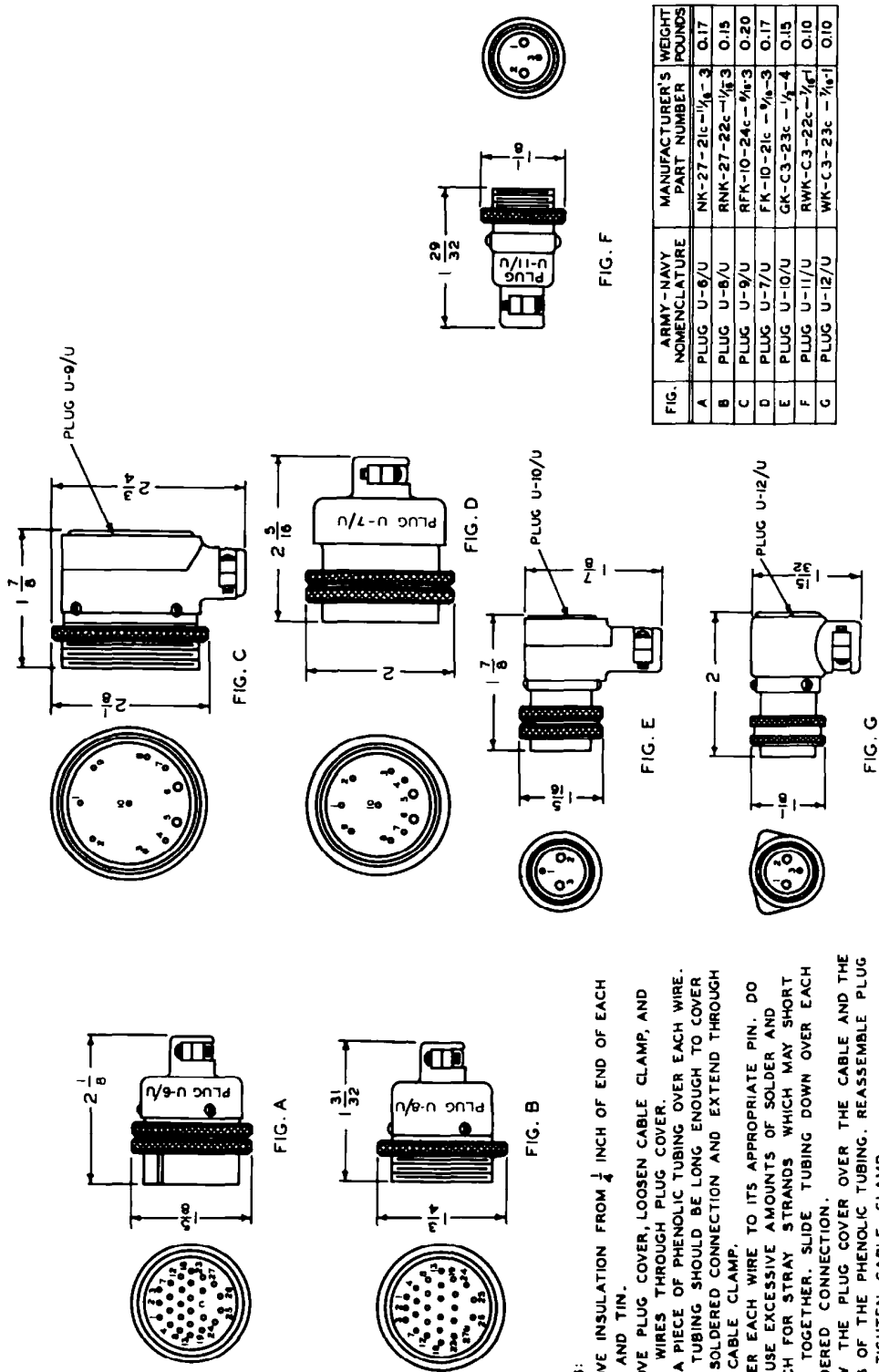


FIG.	ARMY-NAVY NOMENCLATURE	MANUFACTURER'S PART NUMBER	WEIGHT POUNDS
A	PLUG U-6/U	NK-27-21c-1/8-3	0.17
B	PLUG U-8/U	RNK-27-22c-1/8-3	0.15
C	PLUG U-9/U	RFK-10-24c-1/8-3	0.20
D	PLUG U-7/U	FK-ID-21c-1/8-3	0.17
E	PLUG U-10/U	GK-C3-23c-1/8-4	0.15
F	PLUG U-11/U	RWK-C3-22c-1/8-1	0.10
G	PLUG U-12/U	WK-C3-23c-1/8-1	0.10

- NOTES:
- 1-REMOVE INSULATION FROM 1/4 INCH OF END OF EACH WIRE AND TIN.
 - 2-REMOVE PLUG COVER, LOOSEN CABLE CLAMP, AND PASS WIRES THROUGH PLUG COVER.
 - 3-SLIP A PIECE OF PHENOLIC TUBING OVER EACH WIRE. THIS TUBING SHOULD BE LONG ENOUGH TO COVER THE SOLDERED CONNECTION AND EXTEND THROUGH THE CABLE CLAMP.
 - 4-SOLDER EACH WIRE TO ITS APPROPRIATE PIN. DO NOT USE EXCESSIVE AMOUNTS OF SOLDER AND WATCH FOR STRAY STRANDS WHICH MAY SHORT PINS TOGETHER. SLIDE TUBING DOWN OVER EACH SOLDERED CONNECTION.
 - 5-DRAW THE PLUG COVER OVER THE CABLE AND THE ENDS OF THE PHENOLIC TUBING. REASSEMBLE PLUG AND TIGHTEN CABLE CLAMP.
 - 6-THE RIGHT ANGLE PLUG COVERS MAY BE ASSEMBLED TO THE PLUG BODY IN OTHER POSITIONS THAN THOSE SHOWN, TO SUIT INSTALLATION.

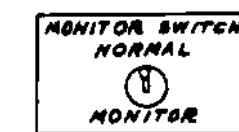
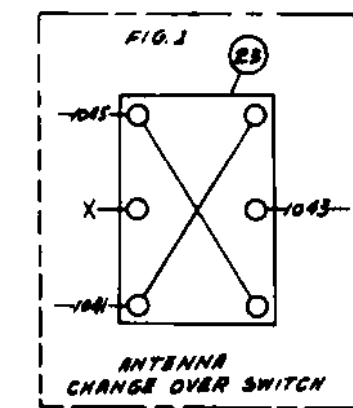
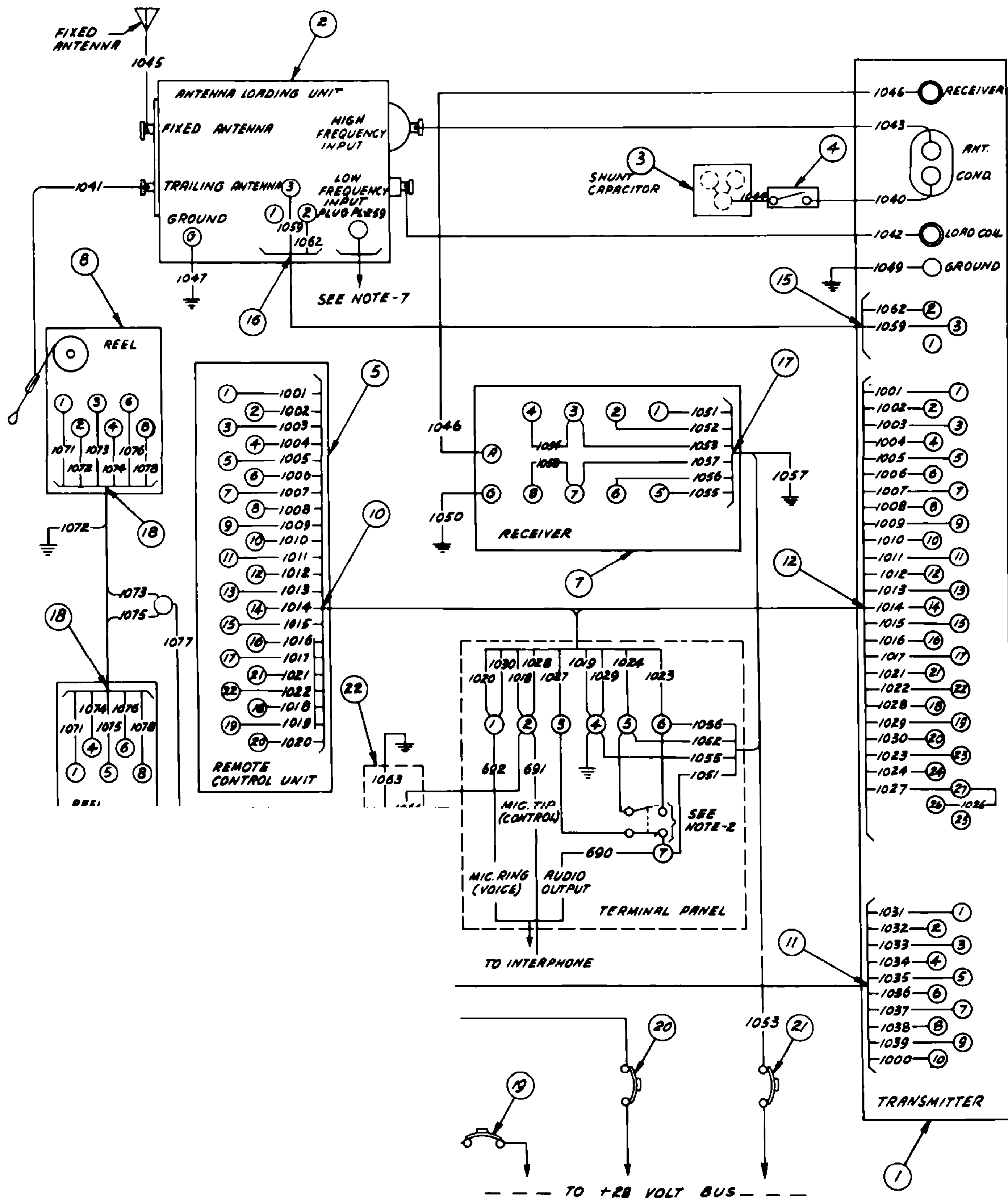
Figure 5-14—Plugs for Radio Transmitting Set

WIRE TABLE

All wires to be Aircraft Cable per Spec. AN-J-C-48 unless otherwise specified.
 + Indicates wires to be individually shielded per Spec. 95-27273.
 ● Indicates wires whose voltage drop must not exceed limits of Spec. 95-32310

Ref. Note	Wire No.	Maximum Operating Voltage	Maximum Allowable Resistance in Ohms (71° C.)	Minimum Cable Size Permitted	Ref. Note	Wire No.	Maximum Operating Voltage	Maximum Allowable Resistance in Ohms (71° C.)	Minimum Cable Size Permitted
6	1000	1150	1	16	4	1041	5000		10
	1001	30	1	20	4	1042	3750		10
	1002	30	1	20	4	1043	5000		10
	1003	30	1	20	4	1044	5000		10
	1004	30	1	20	4	1045	7500		10
	1005	30	1	20		1046	60		14
	1006	30	1	20	5	1047	0	.001	14
	1007	30	1	20					
	1008	30	1	20	5	1049	0	.001	14
	1009	30	1	20	5	1050	0	.001	14
	1010	30	1	20		1051	100	1	20
	1011	30	1	20		1052	220	1	20
	1012	30	1	20		1053	30	.02	16
	1013	30	1	20		1054	30	Jumper	16
	1014	30	1	20		1055	0		18
	1015	30	0.8	20		1056	220	1	20
	1016	30	1	20	5	1057	0	.001	16
	1017	30	1	20		1058	0	Jumper	16
	1018	30	0.25	20		1059	30	0.25	18
	1019	0	0.25	18		1060	30	.0125	8
	1020	30	0.25	20	5	1061	0	.001	8
	1021	30	1	20		1062	30	0.25	18
	1022	30	0.8	20		1063	0	0.25	18
	1023	220	1	20		1064	30	0.25	18
	1024	220	1	20					
						1071	30	0.1	18
						1072	0	0.1	16
	1026	100	1	20	5	1072	0	0.1	16
	1027	100	1	20		1073	30	0.1	18
	1028	30	0.25	20		1074	30	0.1	18
	1029	0	0.25	18		1075	30	.3	20
	1030	30	0.25	20		1076	30	0.1	18
	1031	400	1	20		1077	30	0.1	18
	1032	400	1	20		1078	30	0.1	18
	1033	30	0.8	20					
	1034	30	0.05	18					
	1035	0	0.025	14		690	100	1	20+
	1036	30	0.05	14		691	30	0.25	20
	1037	30	1	20		692	30	0.25	20
	1038	30	0.8	20					
	1039	400	1	20					
4	1040	5000	Less than 12"	10					

- NOTES:**
- All Terminal Strips required in the installation of the wiring shall be made of suitable insulating material and with terminal spacing to prevent voltage breakdown.
 - Use two switches, Monitor Switch AM-3022-2, ganged by means of Connector Block 37A2070, or one Switch AN-3023-3. Wire switch as in diagram, for normal or up position. Locate switch within easy reach of radio operator, preferably in Connector Panel.
 - If remote control is not required, delete items ① and ②, and wires 1001 to 1022 inclusive.
 - To prevent corona discharge at high altitudes, Antenna Leads 1040 to 1045 inclusive, shall be solid copper wire covered with insulating Beads IN-83. They shall be routed to prevent sharp bends and spaced at least 1 1/2 inches from all metallic objects.
 - Ground connections shall be made to the frame of the aircraft. All leads shall be kept as short as possible with only enough slack to allow free movement of unit on its shock mount. Remove all paint at point of contact.
 - Wire #1000 to be "Type ACA 3000 Volt Radio Hookup Wire," as made by Rockbestos Products Corp., New Haven, Conn., or equal.
 - Antenna Socket for a Plug PL-259 from other radio equipment.
 - Items 3 and 4 required only when fixed wire antenna measures less than 55 feet from transmitter to farthest end. Do not include short end of "T" type antenna.
 - When low frequency components are not installed delete items ③, ④ and ⑤. Substitute item ⑥ (Fig. 1) delete wire 1042, connect terminal "X", Fig. 1, to antenna terminal of other radio equipment or connect direct to ground.



COMPONENT TABLE

Item	Quan. Req'd.	Description	Type No.	Manufacturer's Part Number	Spec. or Installation Drawing	Installation Figure No.
* 1	1	Radio Transmitter	T-47A/ART-13		H44G26626	5-1
* 2	1	Antenna Loading Unit (See Note 9)	CU-32/ART-13A		H44G26603	5-5, 5-6
* 3	1	Antenna Shunt Capacitor (See Note 8)	CU-24/ART-13		H44D3446	5-12
* 4	1	Switch (See Note 8)	SA-46/ART-13A		H45D2584	5-13
* 5	1	Control Unit (Remote)	C-87/ART-13		H44D3445	5-11
* 6	1	Dynamotor Unit	DY-17/ART-13A		H45G2467	5-3
* 7	1	Radio Receiver	BC-348(-)		H40D3166	
* 8	1	Reel (Antenna)	RL-42-B		H42G4623	
* 9	1	Reel Control Box	BC-461		H42G4623	
* 10	1	Plug	U-6/U	NK-27-21C 1/16	H44D3981	5-14
* 11	1	Plug	U-7/U	FK-10-21C 3/16	H44D3981	5-14
* 12	1	Plug	U-8/U	RFK-10-24C 1/16	H44D3981	5-14
* 13	1	Plug	U-9/U	RFK-10-24C 3/16	H44D3981	5-14
* 14	1	Plug	U-10/U	GK-C3-23C 1/2	H44D3981	5-14
* 15	1	Plug	U-11/U	RWK-C3-22C 1/16	H44D3981	5-14
* 16	1	Plug	U-12/U	WK-C3-23C 3/16	H44D3981	5-14
* 17	1	Plug	PL-(PORQ) 103		H40D3166	
* 18	2	Plug	PL-112		H42-G4623	
19	1	Circuit Breaker	AN-3161-50		AN-C-77A	
20	1	Circuit Breaker	AN-3161-10		AN-C-77A	
21	1	Circuit Breaker	AN-3161-5		AN-C-77A	
* 22	1	Key	J-37		H39B3362	
* 23	1	Switch (See Note 9)	SA-13/U		H44D3942	5-10

*Indicates Government furnished equipment.

Manufacturer shall indicate to which points on Electrical Wiring Diagram these connections are made.

POWER REQUIRED AT 28 VOLTS INPUT

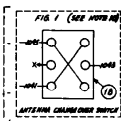
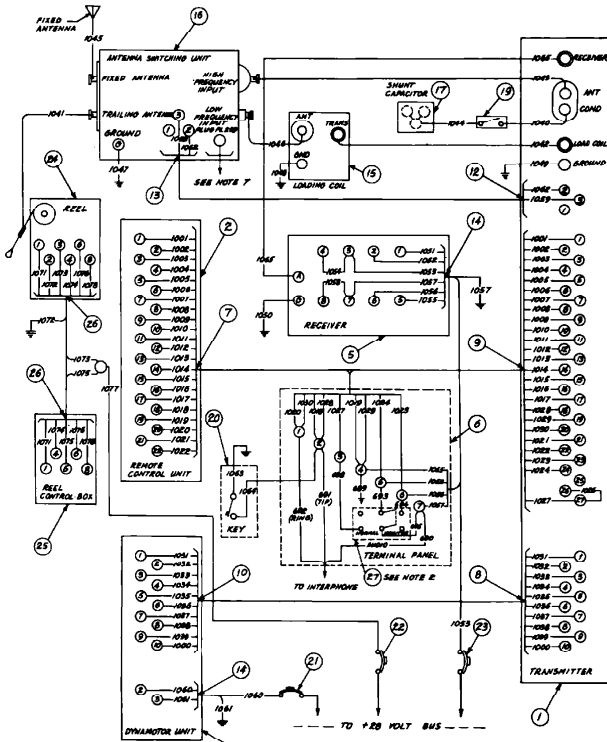
Receiver	Maximum Stand By On Voice	2 Amps.
Transmitter	Maximum	11 Amps.
Reel	Maximum	37 Amps.
		4.5 Amps.

Figure 5-15 - Radio Set AN/ARC-8 - Typical Wiring Diagram

WIRE TABLE
All wires to be Aircraft Cable per Spec. AN-1-C-48 unless otherwise specified.
① indicates wires to be individually shielded per Spec. 96-27773.
② indicates wires whose voltage drop must not exceed limits of Spec. 96-32310

Ref. No.	Wire No.	Maximum Allowable Voltage Drop (V-C)		Wire No.	Maximum Allowable Current (Amps)	
		17°C	25°C		17°C	25°C
1000	1150	16	4	1041	5000	10
1001	30	20	4	1042	3750	10
1002	30	20	4	1043	4000	10
1003	30	20	4	1044	5000	10
1004	30	20	4	1045	7500	10
1005	30	1	20	1046	7500	10
1006	30	1	20	5	1047	0 .001 14
1007	30	1	20	5	1048	0 .001 14
1008	30	1	20	5	1049	0 .001 14
1009	30	1	20	5	1050	0 .001 14
1010	30	1	20	1051	100	20
1011	30	1	20	1052	220	1
1012	30	1	20	1053	30 .02	16
1013	30	1	20	1054	30	Jumper
1014	30	1	20	1055	0 .25	18
1015	30	0.8	20	1056	220	20
1016	30	1	20	5	1057	0 .001 18
1017	30	1	20	1058	0	Jumper
1018	30	0.25	20	1059	30	0.25
1019	0	0.25	18	1060	30	0.25
1020	30	0.25	20	5	1061	0 .001 10
1021	30	1	20	1062	0 .25	18
1022	30	0.8	20	1063	0 .25	18
1023	220	1	20	1064	30	0.25
1024	220	1	20	1065	60	14
1025	220	1	20	1071	30	0.1
1026	100	1	20	5	1072	0 .1
1027	100	1	20	1073	30	0.1
1028	30	0.25	20	1074	30	0.1
1029	0	0.25	18	1075	30	.3
1030	30	0.25	20	1076	30	0.1
1031	400	1	20	1077	30	0.1
1032	400	1	20	1078	30	0.1
1033	30	0.8	20	688	100	20
1034	30	0.05	18	689	0 .25	18
1035	0	0.025	14	690	100	20-1
1036	30	0.05	14	691	30	0.25
1037	30	1	20	692	30	0.25
1038	30	0.8	20	693	220	1
1039	400	1	20	694	220	1
1040	1	5000	10	895	100	20

- NOTES:**
1 All Terminal Strips required in the installation of the wiring shall be made of suitable insulating material and terminals spaced to permit easy reach of radio operator.
2 "Master-Norm" Straps, inserts within easy reach of radio operator.
3 If master control is not required, slide items ① and ② and use 1000 indicator.
4 To prevent arcing discharge at high altitudes, Andrews Leads 1000 in 1000 indicator shall be used to connect slide items ① and ② to the antenna.
5 Ground connections shall be made at least 1/4 inch from all metallic objects.
6 Ground connections shall be made at least 1/4 inch from all metallic objects as far as possible with only enough slack to allow free movement of unit on its shock mounts, unless otherwise indicated.
7 Wire #1025 to be "Type ACA-300 Volt Radio Hoopage Wire", as made by Radio Shack Products Co., New Haven, Conn., or equal.
8 Andrews Socket for a Plug PL-288 from other radio equipment.
9 Items ① and ② required only when wire voltage measure less than 50 feet from transmitter to terminal and do not include shield and "T" type antenna.
10 Either Condenser DY 11/ART-13 or Capacitor DY 12/ART-13 may be used.
11 Where two inductance terminals are not used delete items ③, ④, ⑤ and ⑥. Delete wires 1051, 1052, 1057, 1058, and 1065. Substitute item ⑦ for ⑧ and ⑨. Delete Terminals "A" in antenna terminal on other radio equipment or directly to ground.



COMPONENT TABLE

*Indicates Government Furnished Equipment.

Item No.	Quan. Req'd.	Description	Equipment Designation or Type No.	Manufacturer's Part Number	Spec. or Installation Drawing
* 1	1	Radio Transmitter	Y47/ART-13	52286	H4403442
* 2	1	Control Unit (Remote)	C 67/ART-13	23330	H4403445
* 3	1	Dynamotor Unit (See Note 1)	DY 11/ART-13	21831 & 23333	H4403444
* 4	1	Dynamotor Unit (See Note 1)	DY 12/ART-13	21832 & 23333	H4403444
* 5	1	Mounting Plate	MT 1647/ART-13	23333	H4403444
* 6	1	Receiver	BC-346 ()		H4003166
6	1	Terminal Panel			
* 7	1	Plug	U-6/U	NK-27-21C	1/4 H4403981
* 8	1	Plug	U-7/U	FK-18-21C	1/4 H4403981
* 9	1	Plug	U-8/U	RNK-27-22C	1/4 H4403981
*10	1	Plug	U-9/U	RFK-10-24C	1/4 H4403981
*11	1	Plug	U-10/U	GK-C3-23C	1/4 H4403981
*12	1	Plug	U-11/U	RWK-C3-23C	1/4 H4403981
*13	1	Plug	U-12/U	WK-C3-23C	1/4 H4403981
*14	1	Plug	PL-1	1-103	H4003166
*15	1	Antenna Loading Coil	CU-25/ART-13	47281	H4403443
*16	1	Antenna Switching Unit	SA-22/ART-13		H4403686
*17	1	Antenna Shunt Capacitor	CU-24/ART-13	48128	H4403446
*18	1	Switch (See Note 10)	SA-13/U		H4403942
*19	1	Switch	SA-46/ART-13		H4402084
*20	1	Key	J-37		H3983962
*21	1	Circuit Breaker	AN3161-P50		AN-C-77
*22	1	Circuit Breaker	AN3161-P10		AN-C-77
*23	1	Circuit Breaker	AN3161-P5		AN-C-77
*24	1	Reel	RL-42-B		H4204623
*25	1	Reel Control Box	BC-461		H4204623
*26	2	Switch	PL-115		H4204623
*27	1	Switch (See Note 2)	AN3023-3		AN-5-20

Manufacturer shall indicate to which points on Electrical Wiring Diagram these connections are made.

POWER REQUIRED AT 28 VOLTS INPUT

Receiver	Maximum Stand By On Voice	2 Amps.
Transmitter <td>Maximum</td> <td>11 Amps.</td>	Maximum	11 Amps.
Reel <td>Maximum</td> <td>37 Amps.</td>	Maximum	37 Amps.
	Maximum	4.5 Amps.

Figure 5-16—Radio Transmitting Set AN/ART-13—Typical Wiring Diagram

WIRE TABLE

EACH CABLE FOR THIS EQUIPMENT SHALL BE IDENTIFIED IN THE AIRPLANE WIRING DIAGRAM AND SHALL BE LABELED ON THE AIRPLANE WIRING IN ACCORDANCE WITH SPEC. AN-W-14 EXCEPT THAT THE CABLE NUMBER OF THE CABLE IDENTIFICATION CODING SHALL BE AS ASSIGNED HEREIN.

(EXAMPLE OF THE FIRST WIRE IN THE TABLE BELOW)

RL96A18

REF. NOTE	WIRE NO.	MAXIMUM OPERATING VOLTAGE	MAX. ALLOWABLE RESISTANCE IN OHMS (71° C)	MINIMUM CABLE SIZE PERMITTED
	96	30	3	18
	97	30	3	18
6	99	0	0.001	14
3 & 6	100	50	3	14
4 & 5	AA	5000		10
4 & 5	FF	5000		10
4 & 5	GG	5000		10
3, 4 & 5	HH	5000		10

7. WHEN ANTENNA LOADING UNIT CU-32/ART-13A IS INSTALLED A PLACARD SHALL BE INSTALLED VISIBLE TO EACH OPERATOR AS FOLLOWS: "WHEN USING LF CHANNEL ON THE FIXED WIRE ANTENNA, TRANSMISSION MUST BE LIMITED TO CW OPERATION. MCW OR VOICE TRANSMISSION WILL RESULT IN EQUIPMENT FAILURE."
6. GROUND CONNECTION FOR CABLE 99 (AND FOR CABLE 100 WHEN REQUIRED) SHALL BE MADE TO THE METAL FRAME OF THE AIRCRAFT. REMOVE ALL PAINT AT THE POINT OF CONTACT. GROUND LEADS SHALL BE KEPT AS SHORT AS POSSIBLE WITH ONLY ENOUGH SLACK TO ALLOW FREE MOVEMENT OF THE UNIT ON ITS SHOCK MOUNT
5. THE CONTRACTOR IS NOT REQUIRED TO LABEL CABLES AA, FF, GG, AND HH.
4. TO PREVENT CORONA DISCHARGE AT HIGH ALTITUDES ANTENNA LEADS, AA, FF, GG, AND HH SHALL BE SOLID COPPER WIRE INSULATED WITH BEADS IN-83 WHERE NECESSARY FOR PROTECTION. THE LEADS SHALL BE ROUTED TO PREVENT SHARP BENDS AND THEY SHALL BE SPACED AT LEAST 1-1/2 INCHES FROM ALL METALLIC OBJECTS, EXCEPT LEAD FF WHICH SHALL HAVE AT LEAST 3/4 INCH CLEARANCE.
3. WHEN CONNECTION OF WIRE 100 TO AN AUXILIARY RECEIVING EQUIPMENT IS REQUIRED A TRAILING WIRE ANTENNA IS NECESSARY. WHEN A TRAILING WIRE ANTENNA IS INSTALLED AND NO CONNECTIONS TO AUXILIARY RECEIVING EQUIPMENT IS REQUIRED WIRE 100 SHALL BE GROUNDDED. WHEN NO TRAILING WIRE ANTENNA IS INSTALLED PLUG PL-259 AND WIRE 100 SHALL BE DELETED.
2. WHEN ANTENNA LOADING UNIT CU-32/ART-13A IS INSTALLED PANEL MX-128/ART-13 SHALL BE REMOVED FROM THE RADIO TRANSMITTER AND REPLACED BY OSCILLATOR O-17/ART-13A.
1. THIS DRAWING SUPPLIMENTS DRAWING AD3544. CONNECTION OF LEADIN WIRE AA SHALL BE IN ACCORDANCE WITH THIS DRAWING.

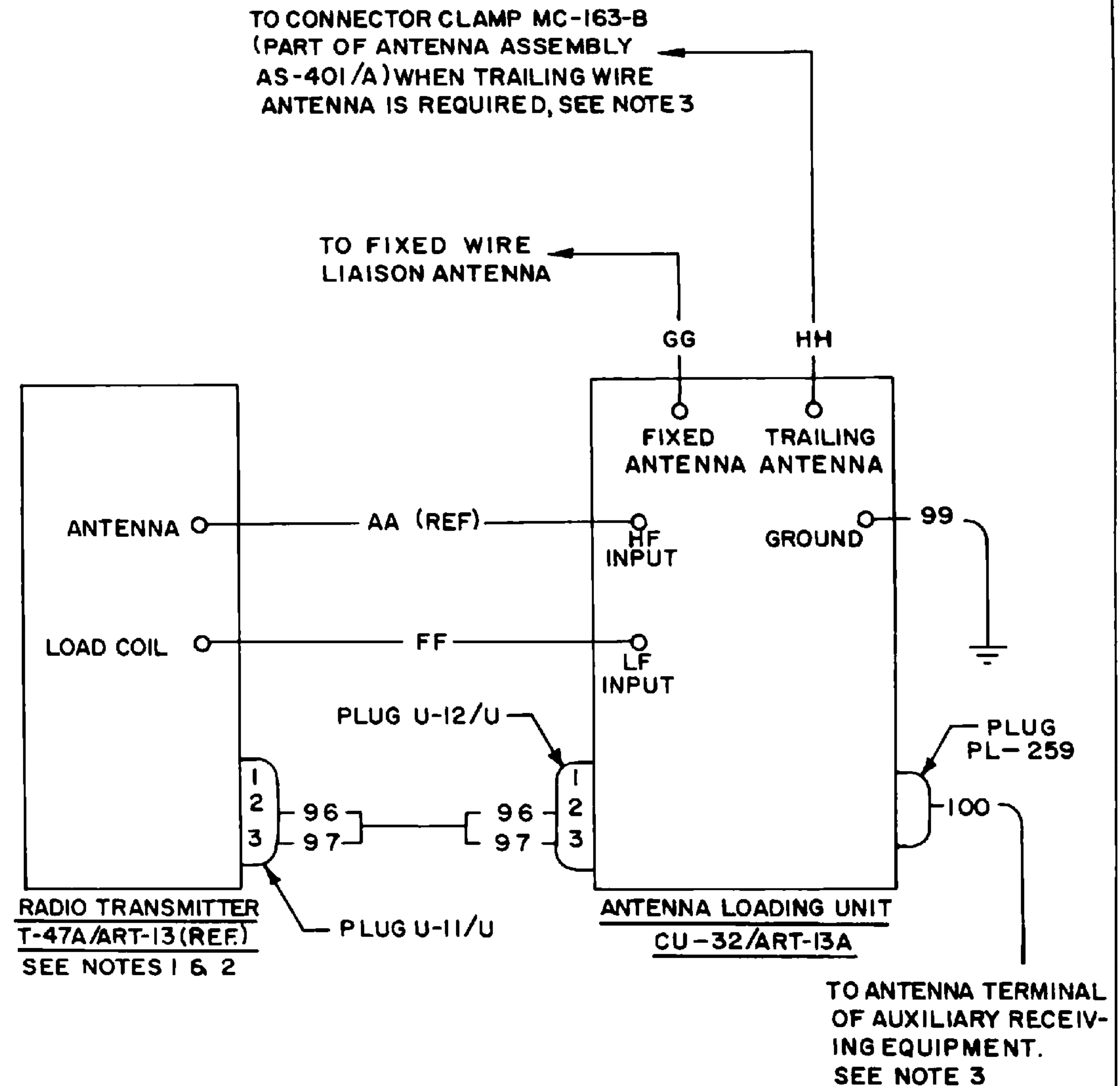


Figure 5-17. Antenna Loading Unit CU-32/ART-13A. Wiring Diagram